



**SUZUKI**  
PARTS CATALOGUE

**GSX-R 150**

GSX-R150RFX



**GSX-R 150**

**GSX-R150RFXM2\_P08 P08**

**2022-3**



## PREFACE

When it becomes necessary to replace parts on SUZUKI MOTORCYCLES, always use SUZUKI GENUINE PARTS which have passed a strict inspection which guarantees quality and performance.

This parts catalogue covers the list of all service parts for SUZUKI GSX-R150RFXM1.

### INSTRUCTIONS FOR QUOTING THE CATALOGUE

#### 1. DIMENSIONS

Dimensions of the parts in this catalogue are indicated in unit millimeters.

#### 2. ABBREVIATIONS

Abbreviations used in this catalogue are as follows:

AR	: As required	NT	: Number of teeth
ASSY	: Assembly	OPT	: Optional
E. NO.	: Engine number	OS	: Over size
F. NO.	: Frame number	STD	: Standard
D	: Diameter of material	T	: Thickness
ID	: Inside diameter	US	: Under size
OD	: Outside diameter	W	: Width
L	: Length		
LH	: Left hand side		
RH	: Right hand side		
~100045	: Up to F. NO. A100-100045		
100046~	: From F. NO. A100-100046		
12 x 34 x 5.6.....	Figures in the description column		
	show the dimensions of parts.		
ID OD T(or W, L)			

→12345-56781 (Parts No.) : indicates that the parts number was changed to 12345-56781 and the new parts are interchangeable with the former ones but the former ones are not interchangeable with new ones.

←12345-56781 (Parts No.) : indicates that the former and new parts are interchangeable with each other and both are usable.

#### 3. INNER PARTS OF ASSEMBLY

Part name with a dot (.) in front as shown in the description column indicates the component of the assembly also available individually.

#### 4. MODIFICATION NOTICE

A parts bulletin will be sent to you on all occasions when changes in parts occur, including interchangeable modifications between new parts and old ones.

#### 5. NOTE

5-1. There are some different parts from those of production models among spare parts for the administrative reasons and common use of them with other models.

5-2. In respect of rubber hoses and vinyl tubes, please be sure to use them by cutting off according to the length mentioned on parts catalogue or what is actually required on the vehicle.

5-3. Note that the drawings on the illustration page are for ready reference of spare parts number, not to be used as an assembly manual.  
When assembling, use "SUZUKI SERVICE MANUAL".

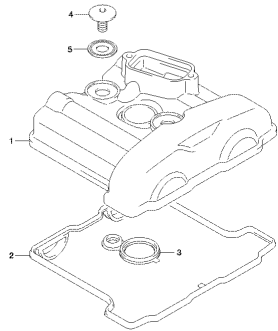
#### 6. SPECIFICATION CODE

This catalogue contains the parts for the model designed for the following spec. ;  
spec. code : P08.

#### 7. SERIAL FRAME NUMBER

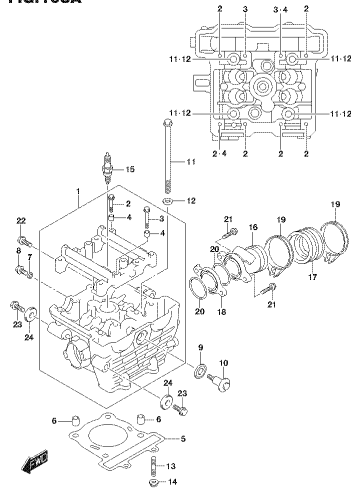
GSX-R150RFXM1 : PRLDL23MZN0100001~

FIG. 102A



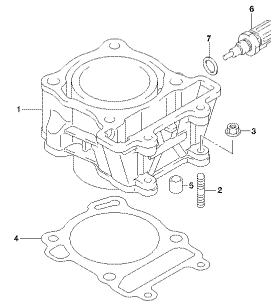
GSX-115SR70ML\_P06\_102A  
CYLINDER HEAD COVER

FIG. 103A



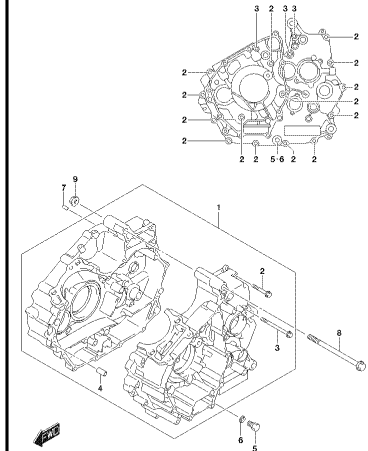
GSX-115SR70ML\_P06\_103A  
CYLINDER HEAD

FIG. 107A



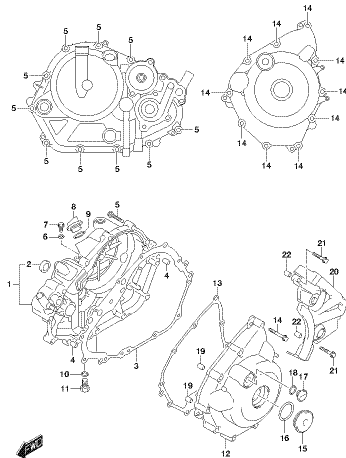
GSX-115SR70ML\_P06\_107A  
CYLINDER

FIG. 108A



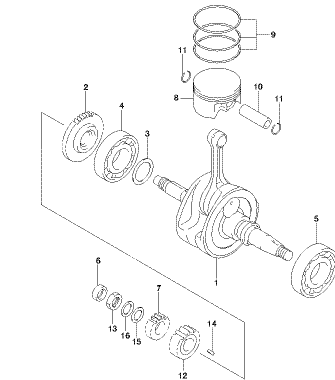
GSX-115SR70ML\_P06\_108A  
CRANKCASE

FIG. 112A



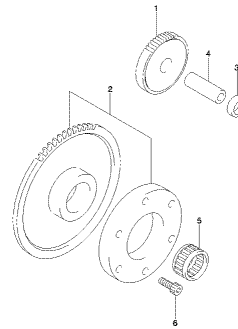
GSX-115SR70ML\_P06\_112A  
CRANKCASE COVER

FIG. 120A



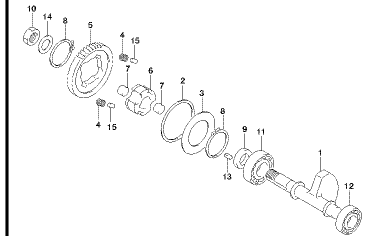
GSX-115SR70ML\_P06\_120A  
CRANKCASE

FIG. 122A



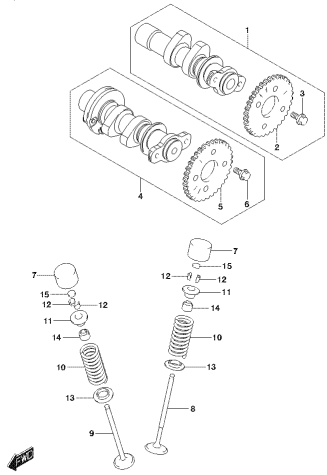
GSX-115SR70ML\_P06\_122A  
STARTER CLUTCH

FIG. 124A



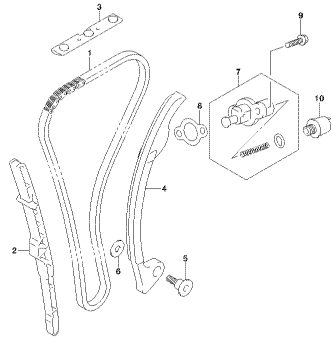
GSX-115SR70ML\_P06\_124A  
CRANKCASE

FIG. 126A



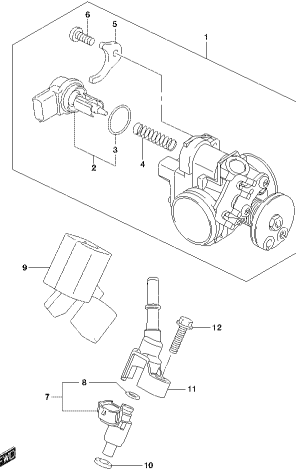
GSX-R150R70M1\_P06\_126A  
CARBURETOR

FIG. 127A



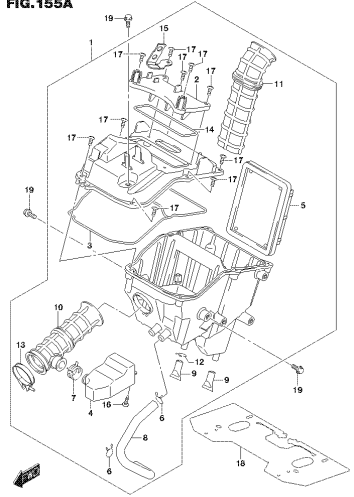
GSX-R150R70M1\_P06\_127A  
CAM CHAIN

FIG. 140A



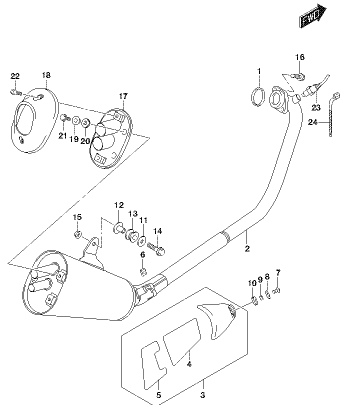
GSX-R150R70M1\_P06\_140A  
THROTTLE BODY

FIG. 155A



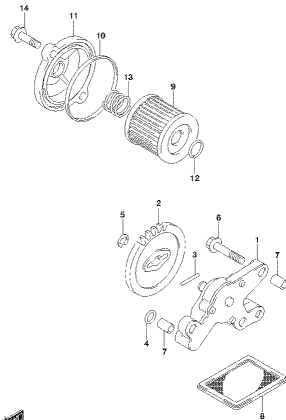
GSX-R150R70M1\_P06\_155A  
AIR CLEANER

FIG. 163A



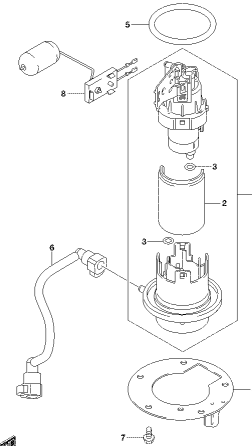
GSX-R150R70M1\_P06\_163A  
MUFFLER

FIG. 170A



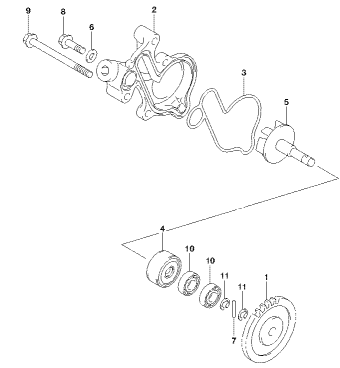
GSX-R150R70M1\_P06\_170A  
DEL PUMP

FIG. 172A



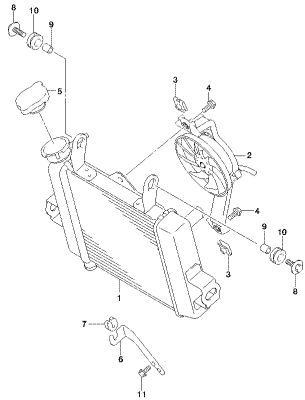
GSX-R150R70M1\_P06\_172A  
FUEL PUMP

FIG. 180A



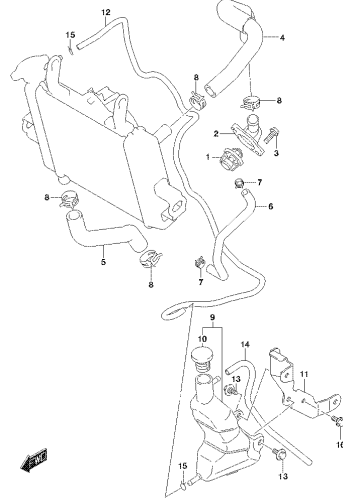
GSX-R150R70M1\_P06\_180A  
WATER PUMP

FIG. 185A



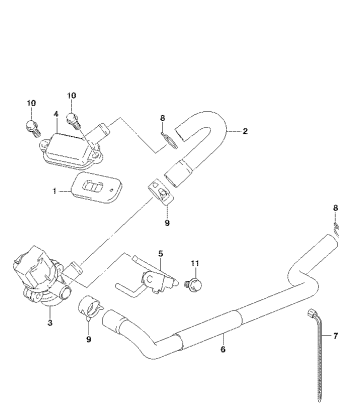
CSX-#150870M\_L\_PUB\_185A  
BLOWER

FIG. 187A



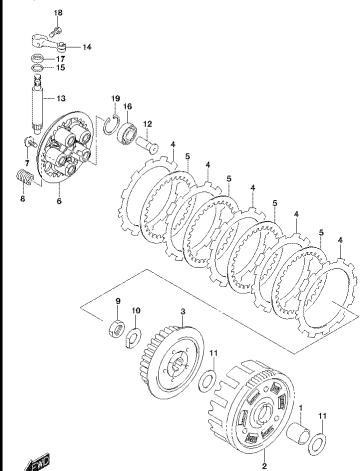
CSX-#150970M\_L\_PUB\_187A  
PUMP/MOTOR HOSE

FIG. 189A



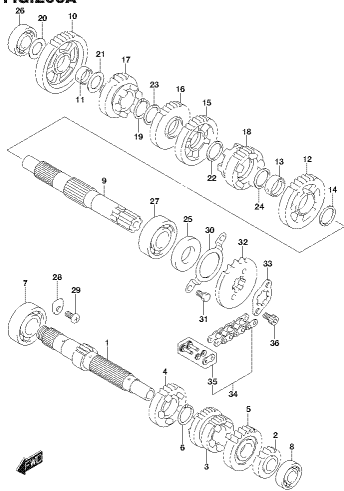
CSX-#150970M\_L\_PUB\_189A  
2ND W/1

FIG.201A



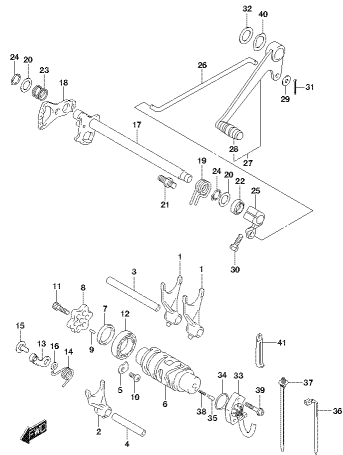
CSX-#150870M\_L\_PUB\_201A  
GLUTCH

FIG.206A



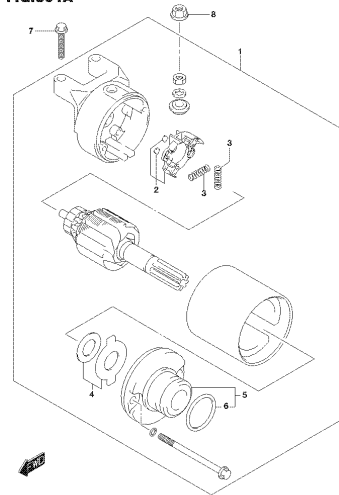
CSX-#150870M\_L\_PUB\_206A  
TRANSMISSION

FIG.212A



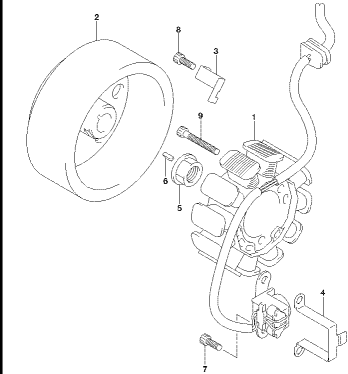
CSX-#150870M\_L\_PUB\_212A  
GEAR-SHAFT

FIG.301A



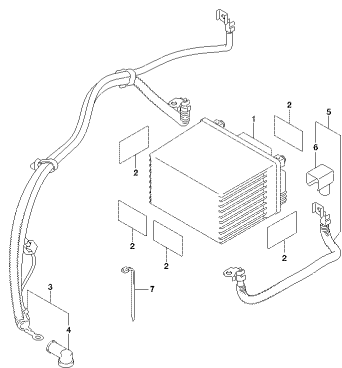
CSX-#150970M\_L\_PUB\_301A  
STARTING MOTOR

FIG.303A



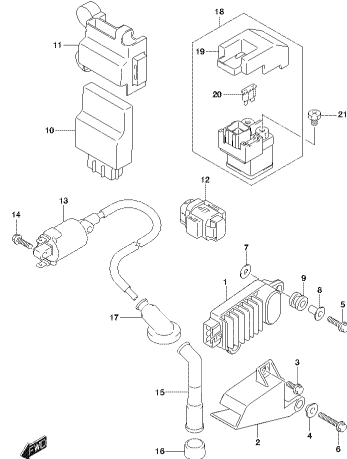
CSX-#150870M\_L\_PUB\_303A  
MAGNETIC

FIG.310A



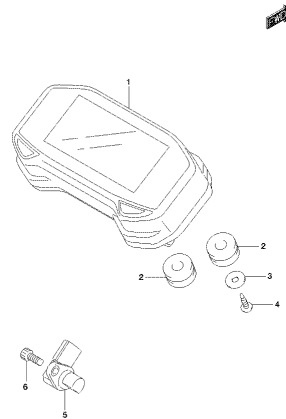
CSX-1105070M1\_PUB\_310A  
BATTERY

FIG.312A



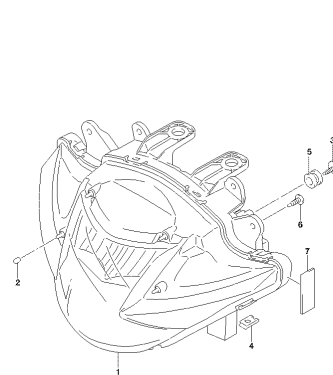
CSX-1105070M1\_PUB\_312A  
ELECTRICAL

FIG.330A



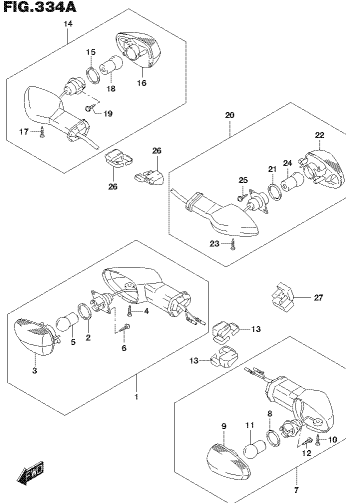
CSX-1105070M1\_PUB\_330A  
SPEEDOMETER

FIG.333A



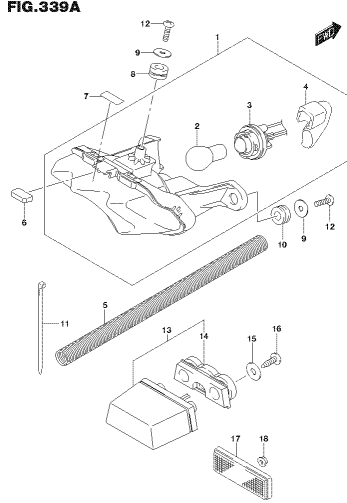
CSX-1105070M1\_PUB\_333A  
HEADLAMP

FIG.334A



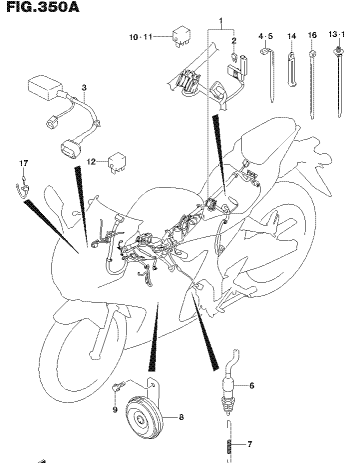
CSX-1105070M1\_PUB\_334A  
TURN SIGNAL LAMP

FIG.339A



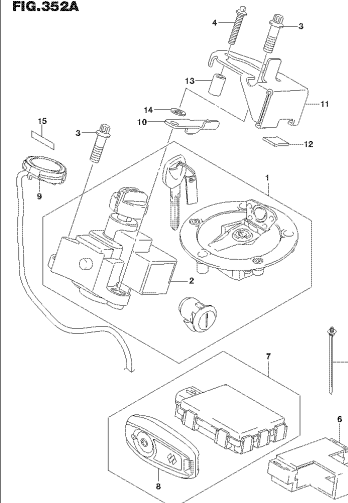
CSX-1105070M1\_PUB\_339A  
REAR COMBINATION LAMP

FIG.350A



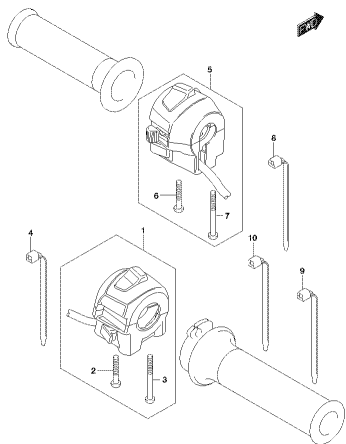
CSX-1105070M1\_PUB\_350A  
WIRING HARNESS

FIG.352A



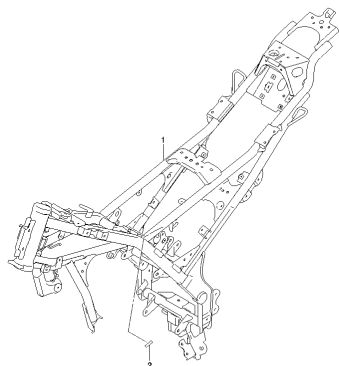
CSX-1105070M1\_PUB\_352A  
LOCK SET

FIG.355A



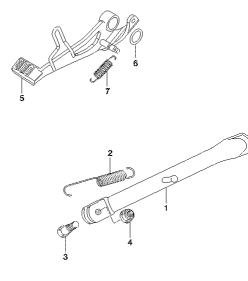
GSX-R150F0M1\_P06\_355A  
HANDE SWITCH

FIG.401A



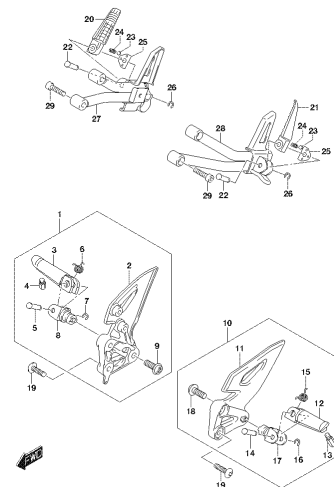
GSX-R150F0M1\_P06\_401A  
FRAME

FIG.407A



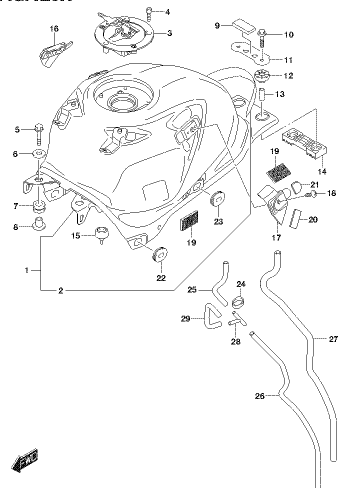
GSX-R150F0M1\_P06\_407A  
FOOTREST

FIG.415A



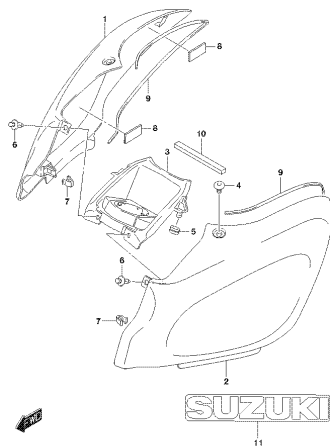
GSX-R150F0M1\_P06\_415A  
FOOTREST

FIG.420A



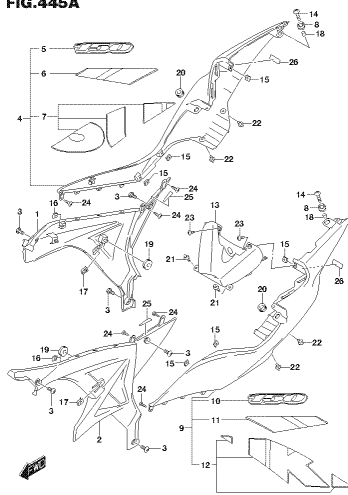
GSX-R150F0M1\_P06\_420A  
FUEL TANK

FIG.423A



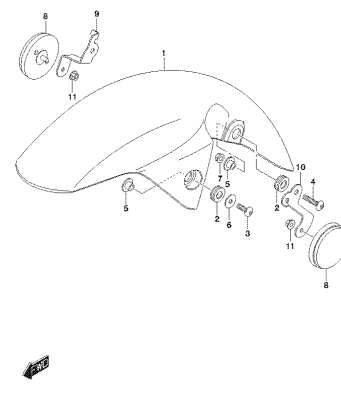
GSX-R150F0M1\_P06\_423A  
FUEL TANK COVER

FIG.445A

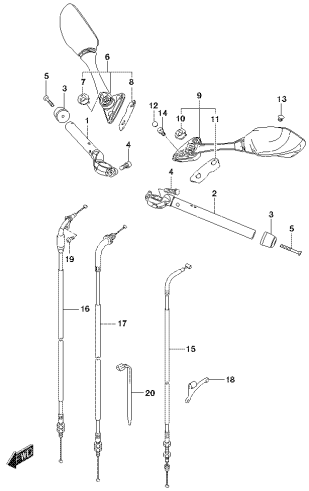


GSX-R150F0M1\_P06\_445A  
FRAME COVER

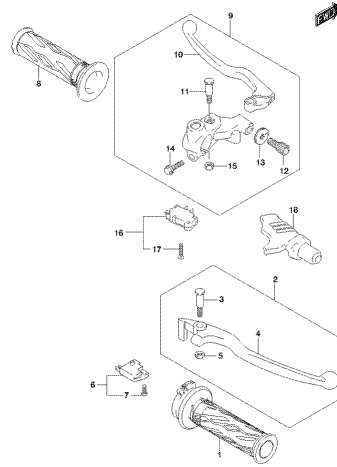
FIG.460A



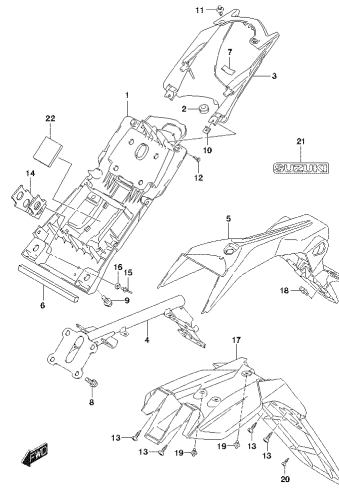
GSX-R150F0M1\_P06\_460A  
FRONT FENDER

**FIG.462A**

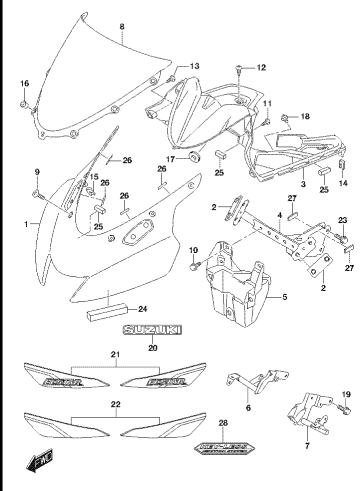
SBX-R155RFXM1\_P08\_462A  
HANDLEBARS

**FIG.467A**

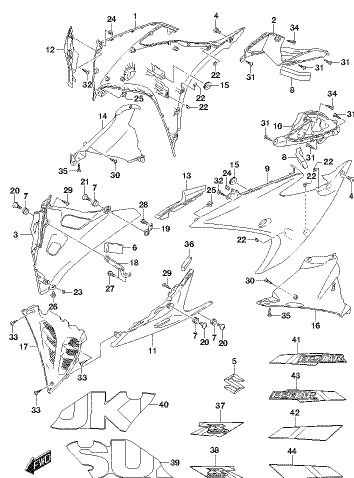
SBX-R155RFXM1\_P08\_467A  
HANDLE LEVERS

**FIG.474A**

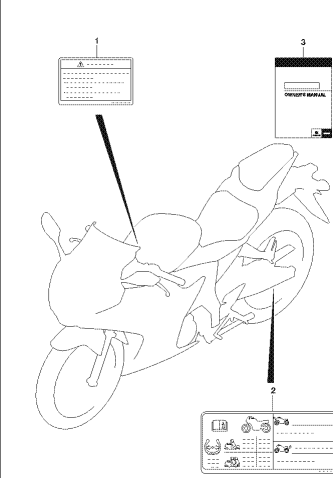
SBX-R155RFXM1\_P08\_474A  
REAR FENDERS

**FIG.481A**

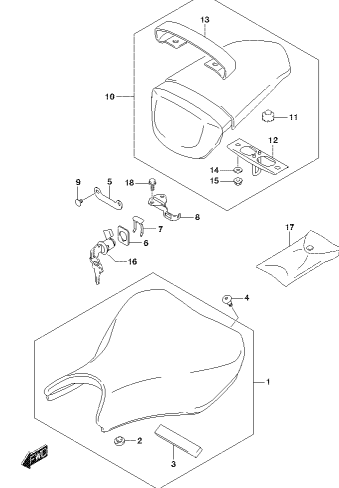
SBX-R155RFXM1\_P08\_481A  
COWLING BODY

**FIG.485A**

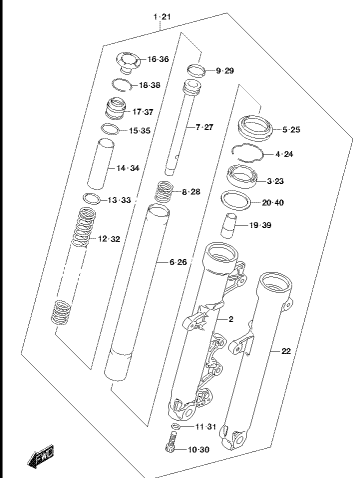
SBX-R155RFXM1\_P08\_485A  
SIDE COWLING

**FIG.496A**

SBX-R155RFXM1\_P08\_496A  
LABEL

**FIG.505A**

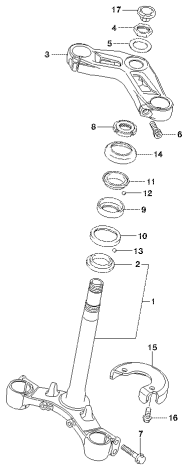
SBX-R155RFXM1\_P08\_505A  
SEAT

**FIG.521A**

SBX-R155RFXM1\_P08\_521A  
FRONT FORK DAMPER

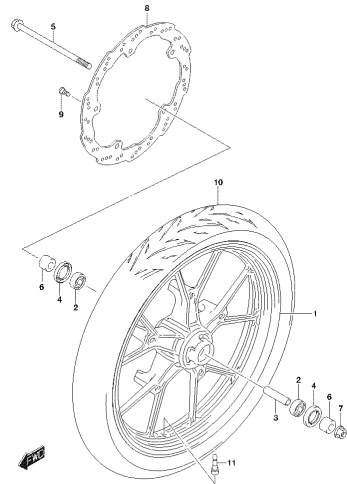


FIG.524A



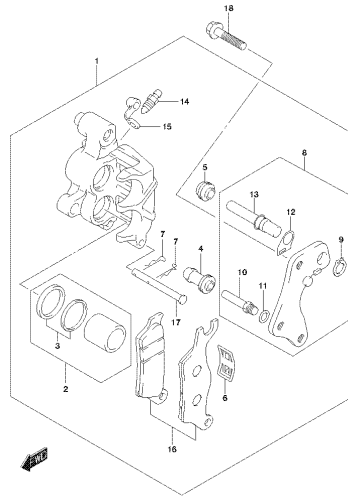
GSX-R155870M1\_P06\_524A  
BLEEDING STEM

FIG.530A



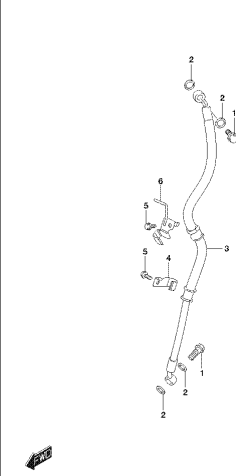
GSX-R155870M1\_P06\_530A  
FRONT WHEEL SEAL

FIG.535A



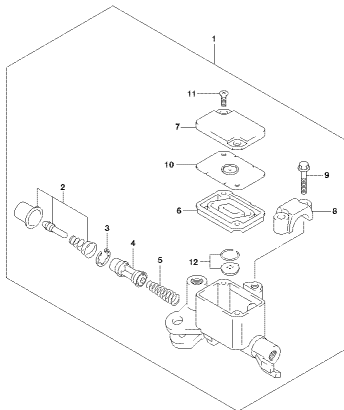
GSX-R155870M1\_P06\_535A  
FRONT CALIPER

FIG.536A



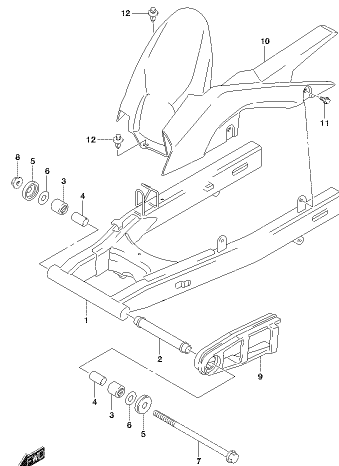
GSX-R155870M1\_P06\_536A  
FRONT BRAKE HOSE

FIG.537A



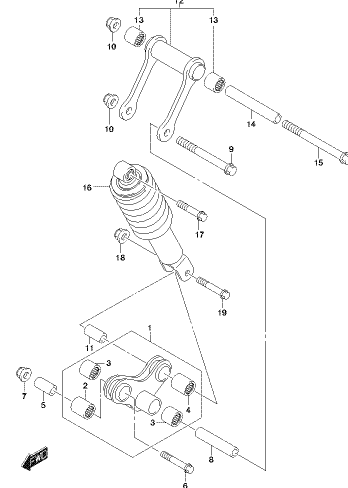
GSX-R155870M1\_P06\_537A  
FRONT MASTER CYLINDER

FIG.541A



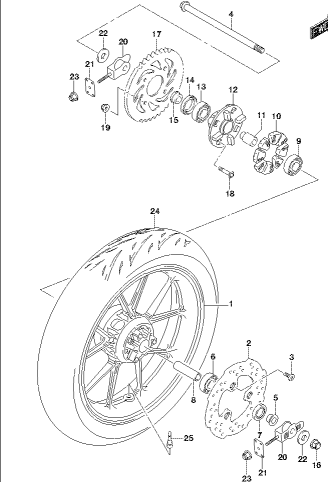
GSX-R155870M1\_P06\_541A  
REAR SWINGARM

FIG.543A



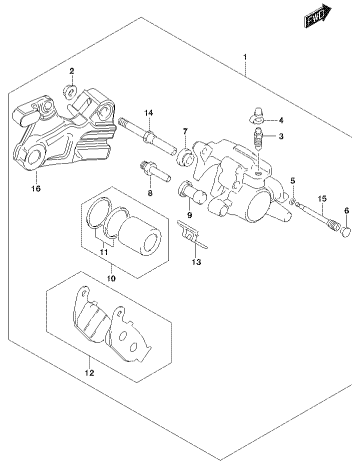
GSX-R155870M1\_P06\_543A  
REAR SHOCK ABSORBER

FIG.550A



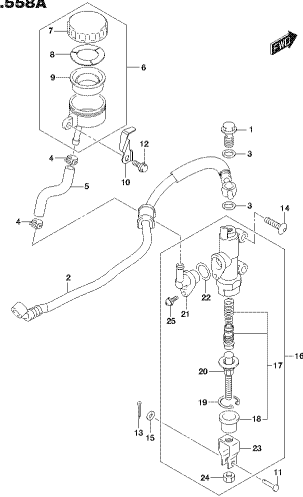
GSX-R155870M1\_P06\_550A  
REAR WHEEL

FIG.555A



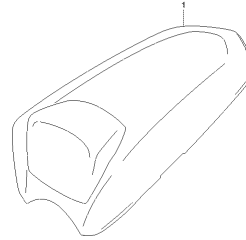
C/S: 9103070ML\_PRR\_950A  
REAR SEAT/PIED

FIG.558A



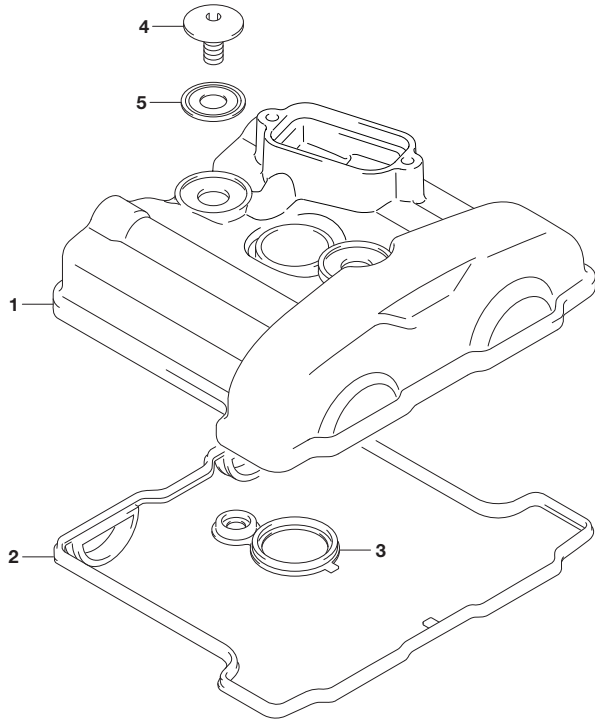
C/S: 9103070ML\_PRR\_950A  
REAR METER CLUSTER

FIG.970A



C/S: 9103070ML\_PRR\_970A  
SEAT /SIL SEAT

# FIG.102A

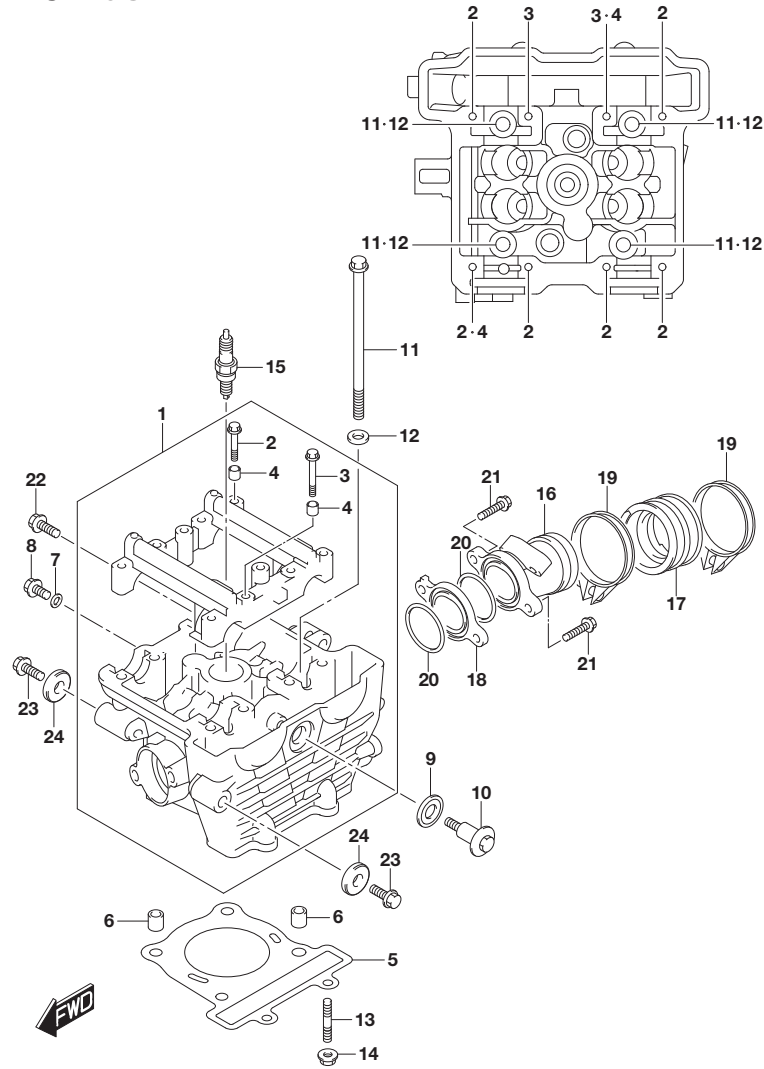


## FIG.102A (1-B-2) CYLINDER HEAD COVER

REF NO.	PART NO.	DESCRIPTION	Q'TY	REMARKS
1	11171-23K00-000	COVER, CYLINDER HEAD	1	
2	11173-12K00-000	GASKET, CYL HEAD COVER NO.1	1	
3	11178-12K00-000	GASKET, CYL HEAD COVER NO.1	1	
4	09106-07025-000	BOLT (L:5.5)	2	
5	11191-27E70-000	WASHER (10.6X25.5X1.6)	2	

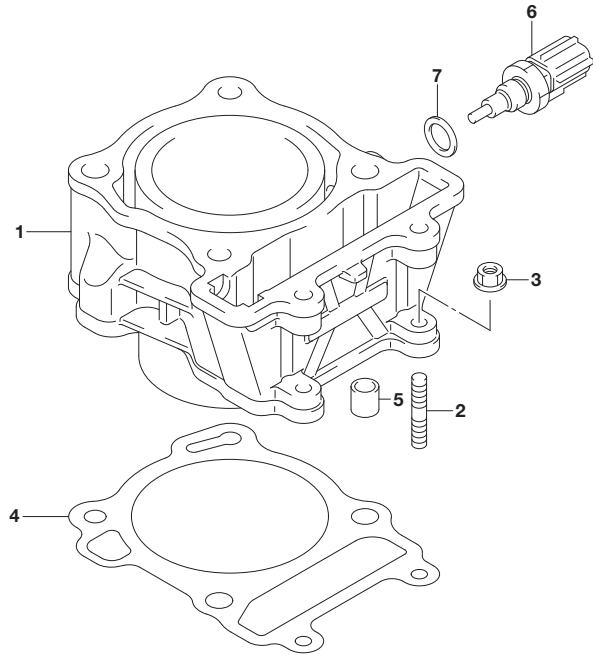


**FIG.103A**



**FIG.103A (1-B-3) CYLINDER HEAD**

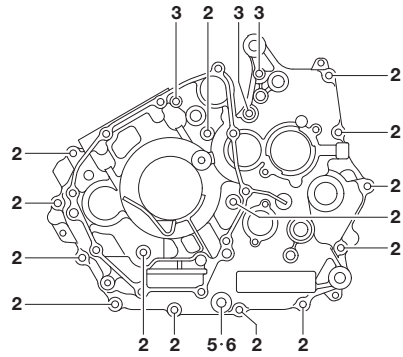
REF NO.	PART NO.	DESCRIPTION	Q'TY	REMARKS
1	11100-23K60-000	HEAD ASSY, CYLINDER	1	
2	09103-06132-000	.BOLT (6X41)	6	
3	09103-06165-000	.BOLT (6X45)	2	
4	09206-08001-000	.PIN (8X11)	2	
5	11141-12K01-000	GASKET, CYLINDER HEAD	1	
6	04211-11129-000	PIN	2	
7	09168-06004-000	GASKET (6.2X11X1.2)	1	
8	01550-0612A-000	BOLT	1	
9	11191-27E70-000	WASHER, HEAD COVER BOLT	1	
10	09119-06120-000	BOLT (L:21.7)	1	
11	11117-12K10-000	BOLT, CYLINDER HEAD (L139)	4	
12	09160-08092-000	WASHER (8.5X16X2.6)	4	
13	01421-0625A-000	STUD BOLT	2	
14	08316-1006A-000	NUT	2	
15-1	09482-00646-000	SPARK PLUG (MR8E-9)	1	
15-2	09482-00659-000	SPARK PLUG (U24EPR-N9)	1	
16	13111-12K01-000	PIPE COMP, INTAKE	1	
17	13121-12K00-000	PIPE ASSY, INTAKE NO.2	1	
18	13128-12K00-000	INSULATOR	1	
19	13170-12K00-000	CLAMP	2	
20	09280-35009-000	O RING	2	
21	01547-0625A-000	BOLT	2	
22	09103-08555-000	BOLT,ENG MTG (8X35)	1	
23	09103-10471-000	BOLT,ENG MTG (10X40)	2	
24	11611-23K00-000	SPACER (10X28X6)	2	

**FIG.107A****FIG.107A (1-B-4) CYLINDER**

REF NO.	PART NO.	DESCRIPTION	Q'TY	REMARKS
1	11211-12K01-0F0	CYLINDER	1	
2	01421-0620A-000	STUD BOLT	2	
3	08316-1006A-000	NUT	2	
4	11241-12K00-000	GASKET, CYLINDER	1	
5	04211-11129-000	PIN	2	
6	13650-49X00-000	SENSOR, TEMP	1	
7	09168-12017-000	GASKET (12X17X1)	1	

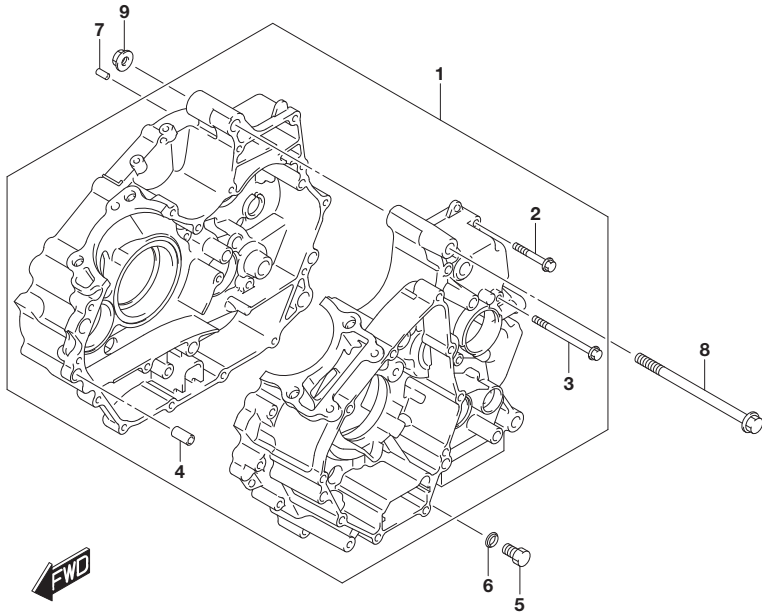


# FIG.108A

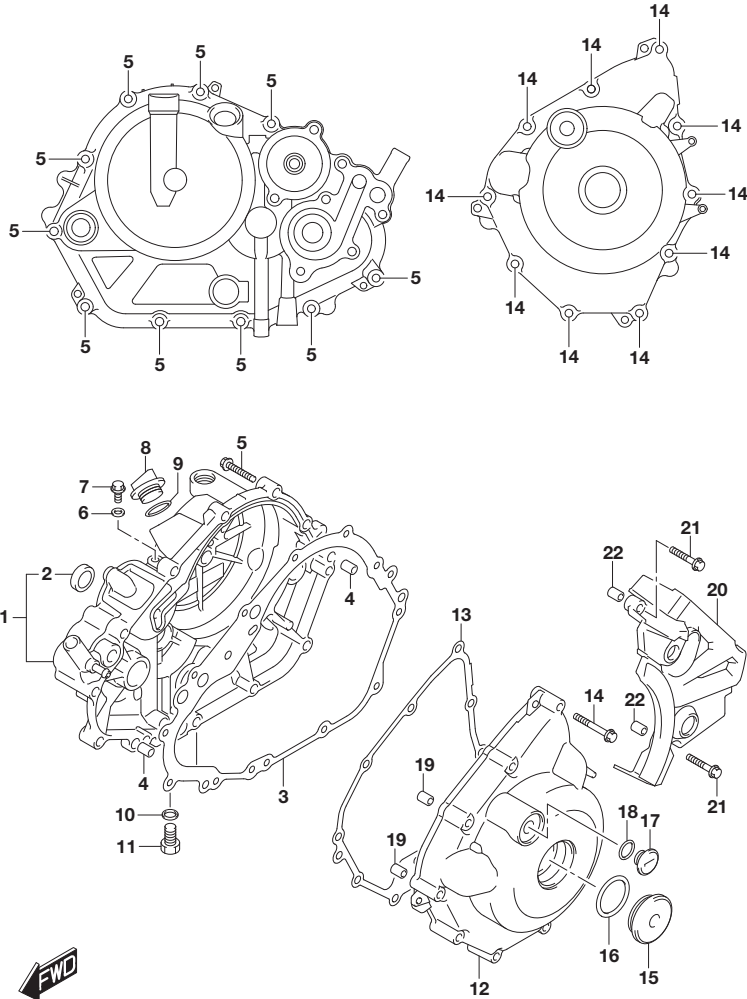


## FIG.108A (1-B-5) CRANKCASE

REF NO.	PART NO.	DESCRIPTION	Q'TY	REMARKS
1	11300-12K00-000	CRANKCASE ASSY	1	
2	01547-0640A-000	.BOLT	14	
3	01547-0675A-000	.BOLT	3	
4	09206-10014-000	.PIN (6.4X10X20)	2	
5	01550-1016A-000	BOLT	1	OIL DRAIN
6	09168-10L02-000	GASKET	1	
7	11313-25G00-000	JET, T/M OIL GALLERY	1	
8	09103-10723-000	BOLT (L:140)	2	
9	08319-3110A-000	NUT	2	



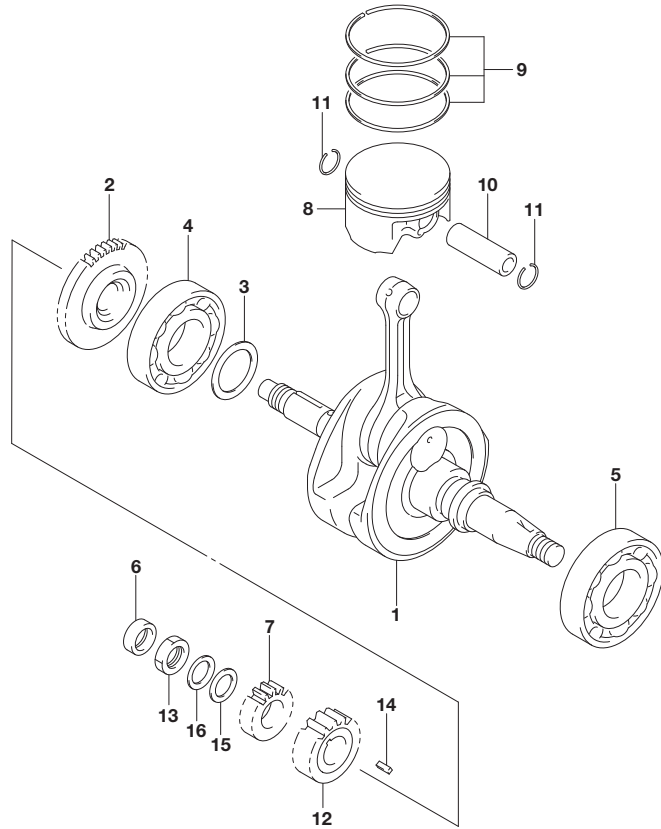
**FIG.112A**



**FIG.112A (1-B-6) CRANKCASE COVER**

REF NO.	PART NO.	DESCRIPTION	Q'TY	REMARKS
1	11340-12K30-000	COVER, CLUTCH	1	
2	11971-45010-000	.LENS, OIL LEVEL CHECK	1	
3	11482-12K00-000	GASKET, CLUTCH COVER	1	
4	09206-08008-000	PIN (6.3X8X12)	2	
5	01547-0630A-000	BOLT	10	
6	09168-06018-000	GASKET (6.2X13X1.2)	1	
7	01547-0612A-000	BOLT	1	
8	11342-25G00-000	PLUG, OIL FILLER	1	
9	09280-17003-000	O RING (D:3.1,ID:16.8)	1	
10	09168-10L02-000	GASKET	1	
11	01500-1016A-000	BOLT	1	
12	11351-12K20-000	COVER, MAGNETO	1	
13	11483-12K00-000	GASKET, MAGNETO COVER	1	
14	01547-0640A-000	BOLT	10	
15	09259-36031-000	PLUG	1	
16	09280-33004-000	O RING (D:3.1,ID:32.7)	1	
17	11352-22J00-000	PLUG, TOP	1	
18	09280-14003-000	O RING (D:2.4,ID:13.8)	1	
19	09206-08008-000	PIN (6.3X8X12)	2	
20	11360-12K00-000	COVER, ENGINE SPROCKET	1	
21	01547-0630A-000	BOLT	2	
22	09206-08008-000	PIN (6.3X8X12)	2	

**FIG.120A**



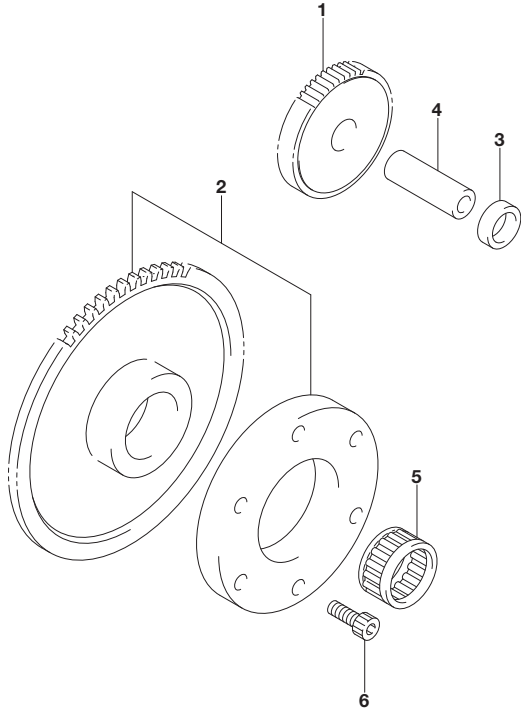
**FIG.120A (1-B-7) CRANKSHAFT**

REF NO.	PART NO.	DESCRIPTION	Q'TY	REMARKS
1	12200-12K31-000	CRANKSHAFT ASSY	1	
2	12661-12K00-000	GEAR, CRANK BALANCER DRIVE (NT:44)	1	
3-1	12228-12K00-0A0	SHIM (T:0.6)	1	
3-2	12228-12K00-0B0	SHIM (T:0.65)	1	
3-3	12228-12K00-0C0	SHIM (T:0.7)	1	
3-4	12228-12K00-0D0	SHIM (T:0.75)	1	
3-5	12228-12K00-0E0	SHIM (T:0.8)	1	
3-6	12228-12K00-0F0	SHIM (T:0.85)	1	
3-7	12228-12K00-0G0	SHIM (T:0.9)	1	
3-8	12228-12K00-0H0	SHIM (T:0.95)	1	
3-9	12228-12K00-0J0	SHIM (T:1.0)	1	
3-10	12228-12K00-0K0	SHIM (T:1.05)	1	
3-11	12228-12K00-0L0	SHIM (T:1.1)	1	
3-12	12228-12K00-0M0	SHIM (T:1.15)	1	
3-13	12228-12K00-0N0	SHIM (T:1.2)	1	
3-14	12228-12K00-0P0	SHIM (T:1.25)	1	
3-15	12228-12K00-0R0	SHIM (T:1.3)	1	
3-16	12228-12K00-0S0	SHIM (T:1.35)	1	
3-17	12228-12K00-0T0	SHIM (T:1.4)	1	
4	09262-28058-000	BEARING	1	RH
5	09262-35103-000	BEARING	1	LH
6	09282-12L01-000	OIL SEAL (12X21X7)	1	
7	16321-12K00-000	GEAR, OIL PUMP DRIVE (NT:15)	1	
8	12111-12K00-0F0	PISTON	1	
9	12140-12K00-000	RING SET, PISTON	1	
10	12151-12K00-000	PIN, PISTON	1	
11	09381-15001-000	CIRCLIP	2	
12-1	21111-12K00-0A0	GEAR, PRIMARY DRIVE (NT:21)	1	GREEN
12-2	21111-12K00-0B0	GEAR, PRIMARY DRIVE (NT:21)	1	PINK
13	09140-16019-000	NUT	1	
14	09421-04011-000	KEY	1	
15	08211-16251-000	WASHER	1	
16	09164-16005-000	WASHER	1	





# FIG.122A



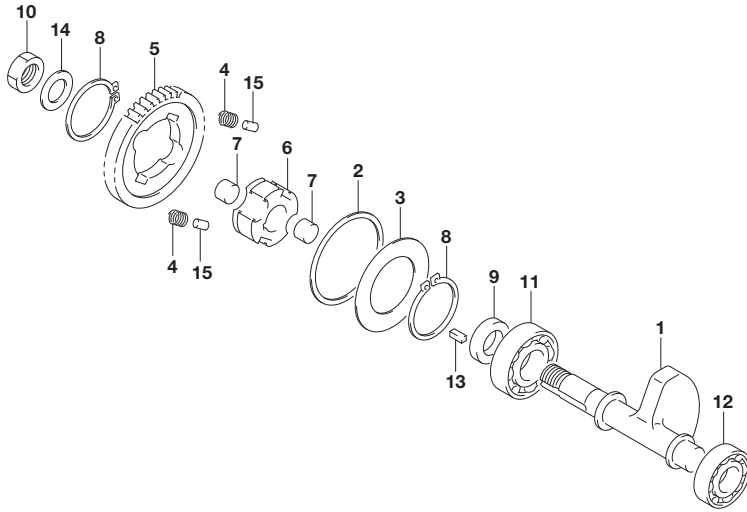
## FIG.122A (1-B-8) STARTER CLUTCH

REF NO.	PART NO.	DESCRIPTION	Q'TY	REMARKS
1	12611-12K00-000	GEAR, STARTER IDLE (NT:13/55)	1	
2	12600-12822-000	CLUTCH SET, STARTER (NT:63)	1	
3	09180-13012-000	SPACER (13X19X6)	1	
4	09206-13007-000	PIN (7.4X13X40)	1	
5	09263-22075-000	BEARING	1	
6	07130-0616A-000	BOLT	3	

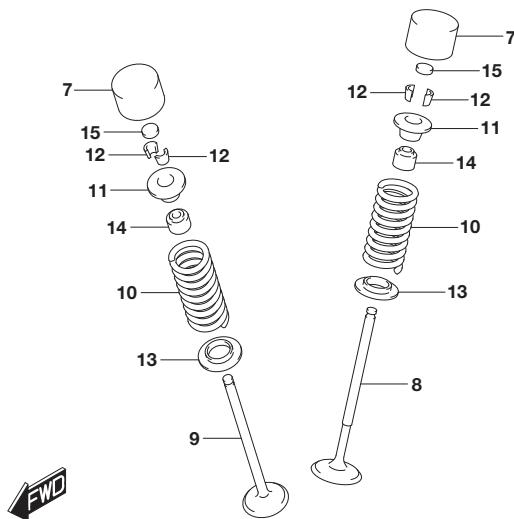
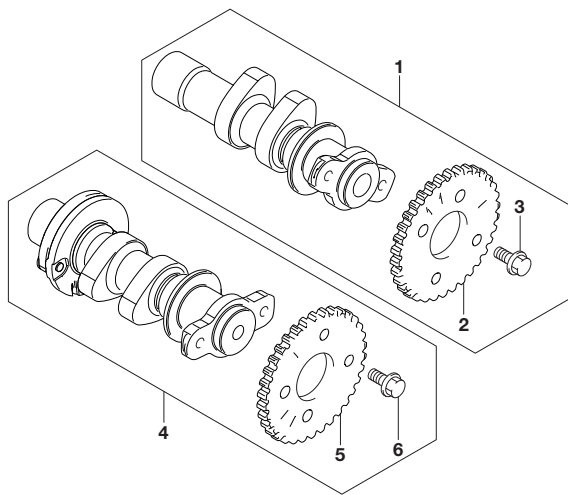
**FIG.124A**

**FIG.124A (1-B-9) CRANK BALANCER**

REF NO.	PART NO.	DESCRIPTION	Q'TY	REMARKS
1	12651-12K02-000	BALANCER, CRANK	1	
2	12662-12K00-000	WASHER, DRIVEN GEAR NO.1	1	
3	12662-34J10-000	WASHER, DRIVEN GEAR NO.2	1	
4	12663-47E50-000	SPRING	2	
5	12666-12K10-000	GEAR (NT:44)	1	
6	12669-12K10-000	RACE, DRIVEN GEAR INNER	1	
7	12686-25G31-000	DAMPER	2	
8	08331-31359-000	CIRCLIP	2	
9	12668-34J00-000	SPACER, DRIVEN GEAR	1	
10	09140-14022-000	NUT	1	
11	09262-15054-000	BEARING	1	RH
12	09262-15055-000	BEARING	1	LH
13	09421-04011-000	KEY	1	
14	08211-14242-000	WASHER	1	
15	09202-05035-000	PIN,CRANK BALANCER DRIVEN GEAR	2	



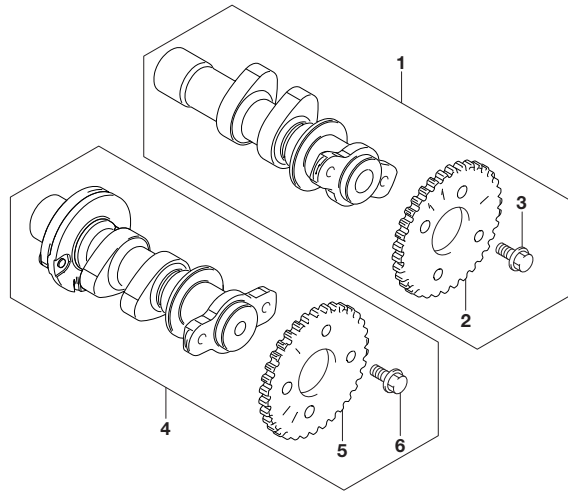
**FIG.126A**



**FIG.126A (1-B-10) CAMSHAFT/VALVE**

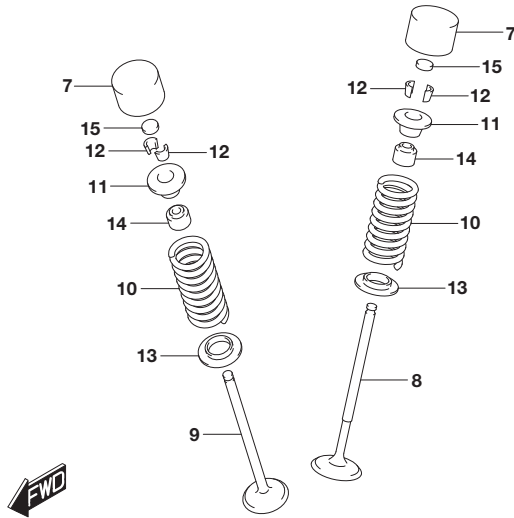
REF NO.	PART NO.	DESCRIPTION	Q'TY	REMARKS
1	12710-12K11-000	CAM SHAFT, INTAKE	1	
2	12741-12K00-000	.SPROCKET, CAMSHAFT (NT:34)	1	
3	09103-05025-000	.BOLT	2	
4-1	12702-12K10-000	CAM SHAFT, EXHAUST	1	
4-2	12702-12K30-000	CAM SHAFT, EXHAUST	1	
5	12741-12K00-000	.SPROCKET, CAMSHAFT (NT:34)	1	
6	09103-05025-000	.BOLT	2	
7	12891-25G10-000	TAPPET	4	
8	12911-12K00-000	VALVE, INTAKE	2	
9	12912-12K00-000	VALVE, EXHAUST	2	
10	12921-12K00-000	SPRING, VALVE	4	
11	12931-25G20-000	RETAINER, VALVE SPRING	4	
12-1	12932-32C00-000	COTTER, VALVE	8	
12-2	12932-32C10-000	COTTER, VALVE	8	
13	12933-12K00-000	SEAT, VALVE SPRING	4	
14	09289-04002-000	OIL SEAL (4.5X10X8)	4	
15-1	12892-05C00-120	SHIM, TAPPET (T:1.20)	4	
15-2	12892-05C00-125	SHIM, TAPPET (T:1.25)	4	
15-3	12892-05C00-130	SHIM, TAPPET (T:1.30)	4	
15-4	12892-05C00-135	SHIM, TAPPET (T:1.35)	4	
15-5	12892-05C00-140	SHIM, TAPPET (T:1.40)	4	
15-6	12892-05C00-145	SHIM, TAPPET (T:1.45)	4	
15-7	12892-05C00-150	SHIM, TAPPET (T:1.50)	4	
15-8	12892-05C00-155	SHIM, TAPPET (T:1.55)	4	
15-9	12892-05C00-160	SHIM, TAPPET (T:1.60)	4	
15-10	12892-05C00-165	SHIM, TAPPET (T:1.65)	4	
15-11	12892-05C00-170	SHIM, TAPPET (T:1.70)	4	
15-12	12892-05C00-175	SHIM, TAPPET (T:1.75)	4	
15-13	12892-05C00-180	SHIM, TAPPET (T:1.80)	4	
15-14	12892-05C00-185	SHIM, TAPPET (T:1.85)	4	
15-15	12892-05C00-190	SHIM, TAPPET (T:1.90)	4	
15-16	12892-05C00-195	SHIM, TAPPET (T:1.95)	4	

**FIG.126A**

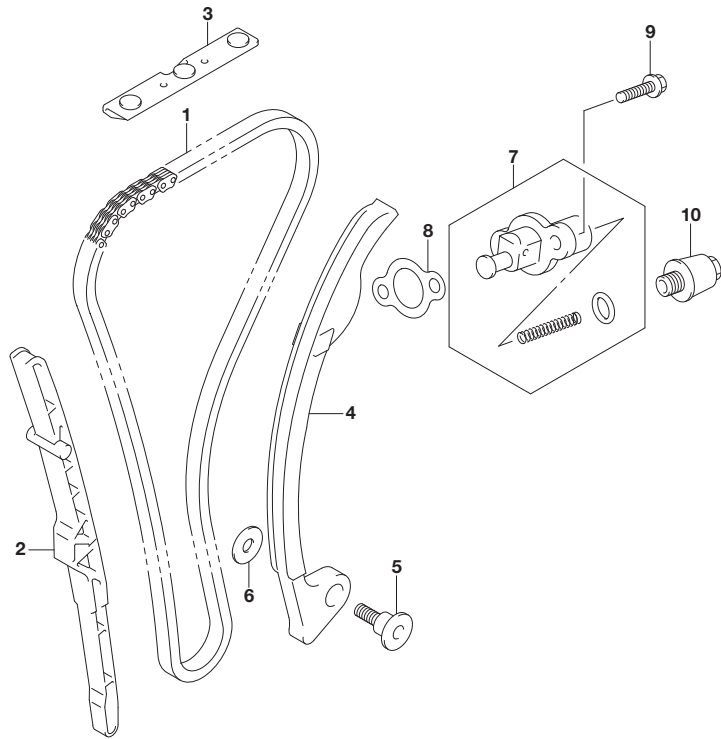


**FIG.126A (1-B-11) CAMSHAFT/VALVE**

REF NO.	PART NO.	DESCRIPTION	Q'TY	REMARKS
15-17	12892-05C00-200	SHIM, TAPPET (T:2.00)	4	
15-18	12892-05C00-205	SHIM, TAPPET (T:2.05)	4	
15-19	12892-05C00-210	SHIM, TAPPET (T:2.10)	4	
15-20	12892-05C00-215	SHIM, TAPPET (T:2.15)	4	
15-21	12892-05C00-220	SHIM, TAPPET (T:2.20)	4	
16	12800-05830-000	SHIM SET, TAPPET T:1.20, 1.25-.2.95, 3.00 (5PCS.EACH) & CASE	1	OPT NOT ILLUSTRATED
17	99000-69491-000	.CASE, TAPPET SHIM	1	OPT NOT ILLUSTRATED



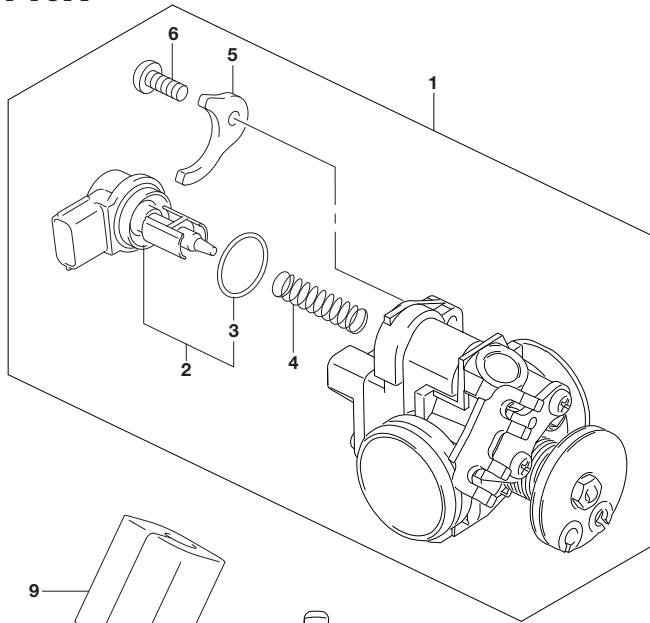
**FIG.127A**



**FIG.127A (1-B-12) CAM CHAIN**

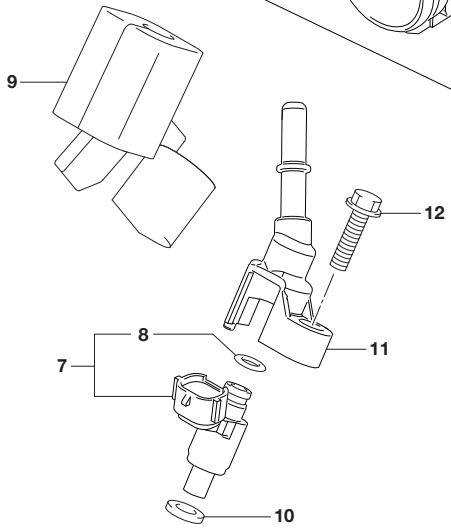
REF NO.	PART NO.	DESCRIPTION	Q'TY	REMARKS
1	12760-12K00-000	CHAIN, CAM SHAFT DRIVE	1	
2	12771-12K00-000	GUIDE, CAM CHAIN NO.1	1	
3	12782-12K01-000	GUIDE, CAM CHAIN NO.2	1	
4	12811-12K00-000	TENSIONER, CAM CHAIN	1	
5	12812-35C00-000	BOLT, CAM CHAIN TENSIONER	1	
6	08211-06181-000	WASHER	1	
7	12830-12K00-000	ADJUSTER SET, TENSIONER	1	
8	12837-12K00-000	GASKET, TENSIONER ADJUSTER	1	
9	01547-0620A-000	BOLT	2	
10	12836-12K01-000	BOLT, ADJUSTER SPRING	1	

**FIG.140A**

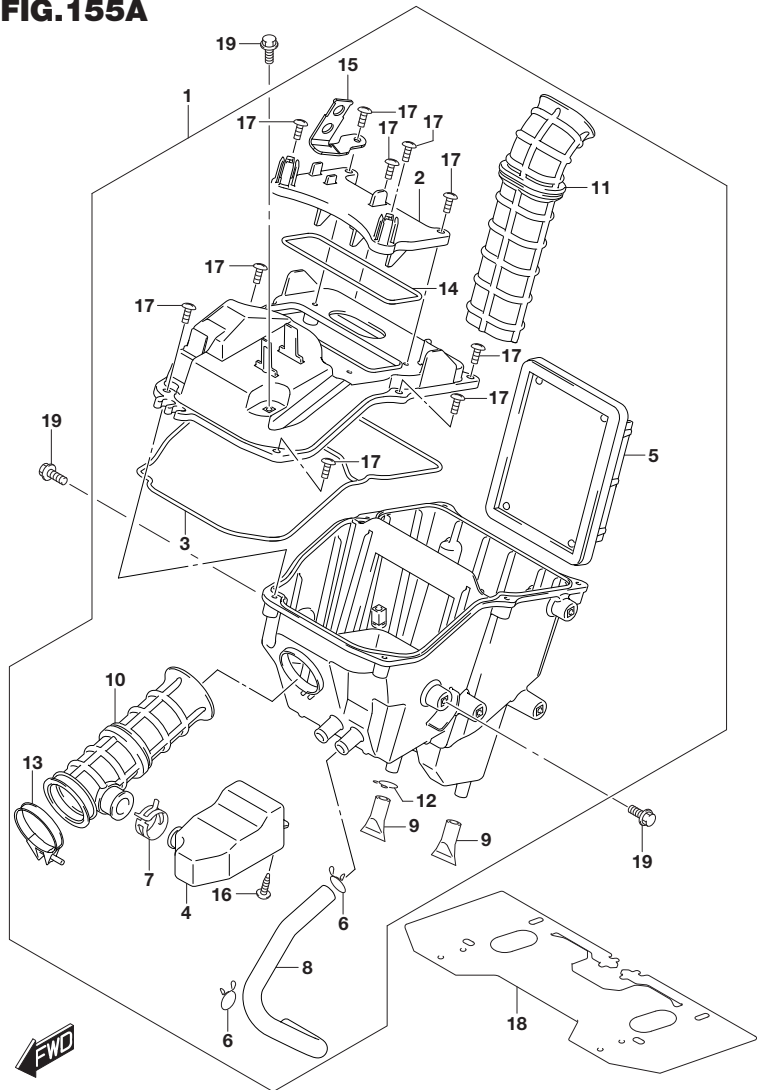


**FIG.140A (1-B-13) THROTTLE BODY**

REF NO.	PART NO.	DESCRIPTION	Q'TY	REMARKS
1	13400-23K00-000	BODY ASSY, THROTTLE	1	
2	18117-09JA0-000	.STEPPING MOTOR	1	
3	13438-09JA0-000	.O PING	1	
4	13417-09JA0-000	.COMPRESSION SPRING	1	
5	13421-42J00-000	.PLATE	1	
6	13602-06128-000	.SCREW	1	
7	15710-23K00-000	INLECTOR ASSY, FUEL	1	
8	15716-42J00-000	.O PING	1	
9	15719-12K01-000	COVER, FUEL INJECOR	1	
10	15722-42J00-000	SEAL	1	
11	15830-23K00-000	JOINT, FUEL HOSE	1	
12	01547-0625A-000	BOLT	1	



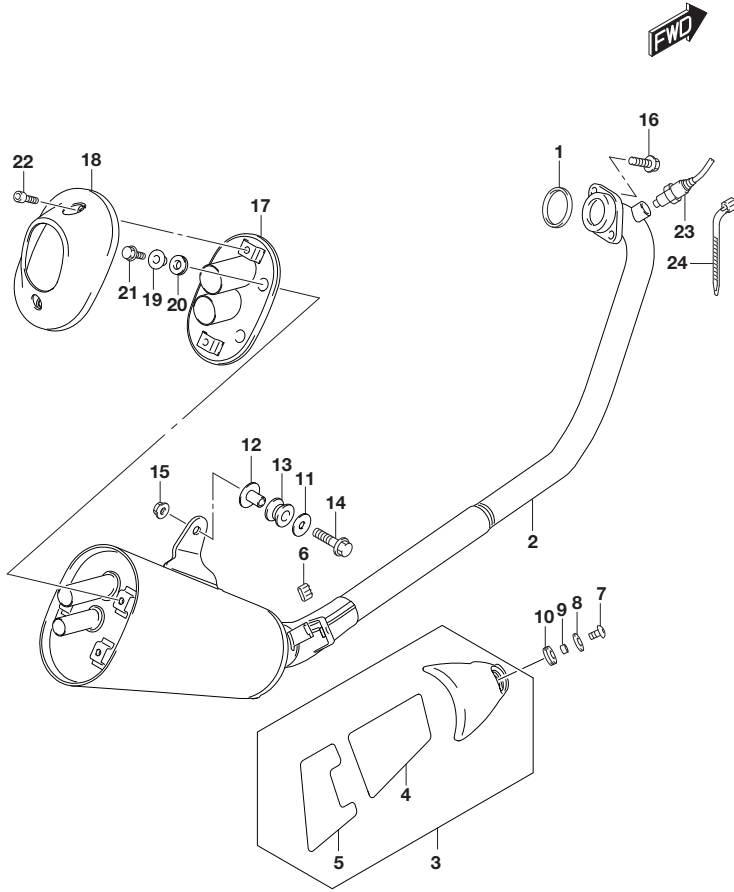
**FIG.155A**



**FIG.155A (1-B-14) AIR CLEANER**

REF NO.	PART NO.	DESCRIPTION	Q'TY	REMARKS
1	13700-23K10-000	CLEANER ASSY, AIR	1	
2	13741-23K00-000	.CAP, AIR CLEANER	1	
3	13746-23K00-000	.GASKET	1	
4	13761-23K00-000	.RESONATOR	1	
5	13780-23K00-000	.FILTER ASSY	1	
6	13821-12K00-000	.CLIP	2	
7	13822-12K00-000	.CLIP	1	
8	13853-23K00-000	.TUBE, BREATHER	1	
9	13878-12K00-000	.PLUG, DRAIN	2	
10	13881-23K00-000	.TUBE, OUTLET	1	
11	13891-23K00-000	.TUBE, INLET	1	
12	09401-11101-000	.CLIP	1	
13	13826-23K00-000	.CLAMP	1	
14	13747-23K00-000	.GASKET, CAP FILTER	1	
15	13911-23K01-000	.BRACKET, RELAY	1	
16	03541-0512A-000	.SCREW	1	
17	03541-0520B-000	.SCREW	10	
18	13841-23K00-000	SHEET, AIR CLEANER INLET	1	
19	01550-0612A-000	BOLT	3	

**FIG.163A**

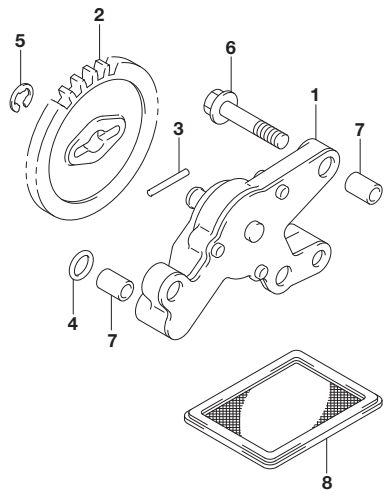
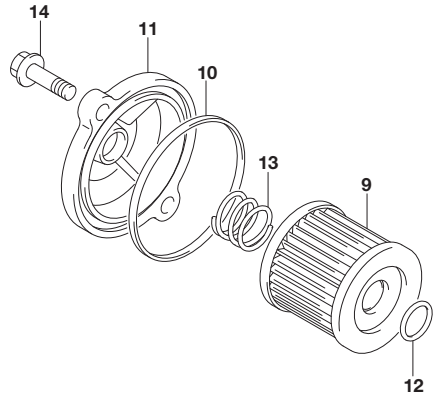


**FIG.163A (1-B-15) MUFFLER**

REF NO.	PART NO.	DESCRIPTION	Q'TY	REMARKS
1	14181-47E20-000	GASKET, EXHAUST PIPE	1	
2	14310-23K30-000	BODY, MUFFLER	1	
3	14780-23K00-000	COVER, MUFFLER	1	
4	14783-23K00-000	.SHIELD, MUF COVER FR	1	
5	14784-23K00-000	.SHIELD, MUF COVER RR	1	
6	14795-10FA0-000	GROMMET	1	
7	09139-06027-000	SCREW (6X12)	1	
8	09160-06028-000	WASHER (6.5X18X1)	1	
9	09180-06343-000	SPACER	1	
10	09320-08082-000	CUSHION	1	
11	09160-08134-000	WASHER (8.5X26X1.6)	1	
12	09180-08151-000	SPACER (8.6X12X17.5)	1	
13	09320-12032-000	CUSHION	1	
14	01550-0835A-000	BOLT	1	
15	08319-3108A-000	NUT	1	
16	01550-0825A-000	BOLT	2	
17	14760-23K00-000	STAY, MUFFLER REAR COVER	1	
18	14790-23K01-000	COVER, MUFFLER REAR	1	
19	09169-06057-000	WASHER	3	
20	09320-08082-000	CUSHION	3	
21	01550-0612B-000	BOLT	3	
22	07130-0616A-000	BOLT	2	
23	18213-12K01-000	SENSOR, OXYGEN	1	
24	36990-25G00-000	CLAMP	1	



**FIG.170A**

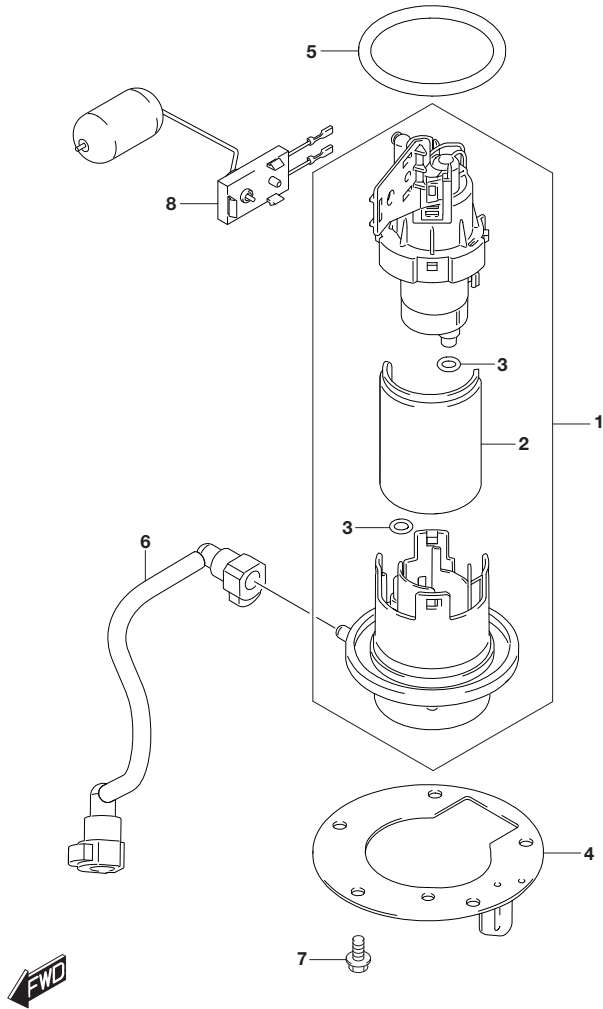


**FIG.170A (1-C-2) OIL PUMP**

REF NO.	PART NO.	DESCRIPTION	Q'TY	REMARKS
1	16400-12K00-000	PUMP ASSY, ENGINE OIL	1	
2	16331-12K00-000	GEAR, OIL PUMP DRIVEN (NT:30)	1	
3	09261-02001-000	PIN (2.5X19.8)	1	
4	09280-08022-000	O RING	1	
5	08332-1106A-000	E RING	1	
6	01547-0630A-000	BOLT	3	
7	09206-08008-000	PIN (6.3X8X12)	3	
8	16520-45H01-000	STRAINER, ENGINE OIL	1	
9-1	16510-45H10-000	FILTER,ENGINE OIL	1	NICHIRINDO
9-2	16510-45H20-000	FILTER,ENGINE OIL	1	SELAMAT
10	09280-54001-000	O RING (D:2.4,ID:52.6)	1	
11	16512-22J30-000	CAP, OIL FILTER (GOLD)	1	
12	09280-13010-000	O RING (D:1.9,ID:12.5)	1	
13	16519-09J00-000	SPRING, OIL FILTER	1	
14	01547-0620A-000	BOLT	2	



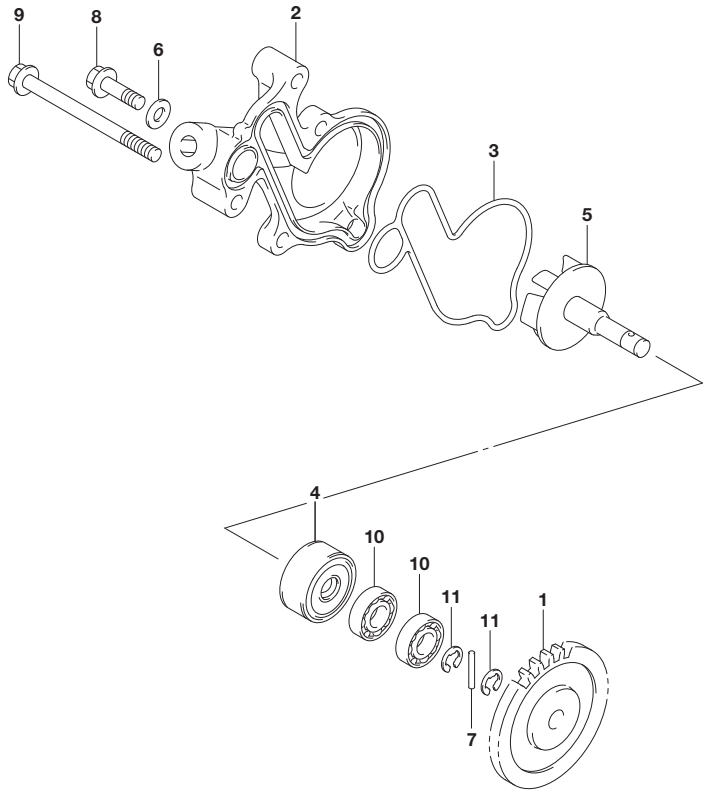
**FIG.172A**



**FIG.172A (1-C-3) FUEL PUMP**

REF NO.	PART NO.	DESCRIPTION	Q'TY	REMARKS
1	15100-23K00-000	PUMP ASSY, FUEL	1	
2	15420-34JB0-000	.FILTER	1	
3	15424-09JB0-000	.O RING	2	
4	15120-23K00-000	PLATE, FUEL PUMP	1	
5	15201-23K20-000	O RING, FUEL PUMP	1	
6	15810-23K00-000	HOSE, FUEL	1	
7	01547-0610A-000	BOLT	5	
8	34810-23K10-000	GAUGE ASSY, FUEL LEVEL SENDER	1	

**FIG.180A**

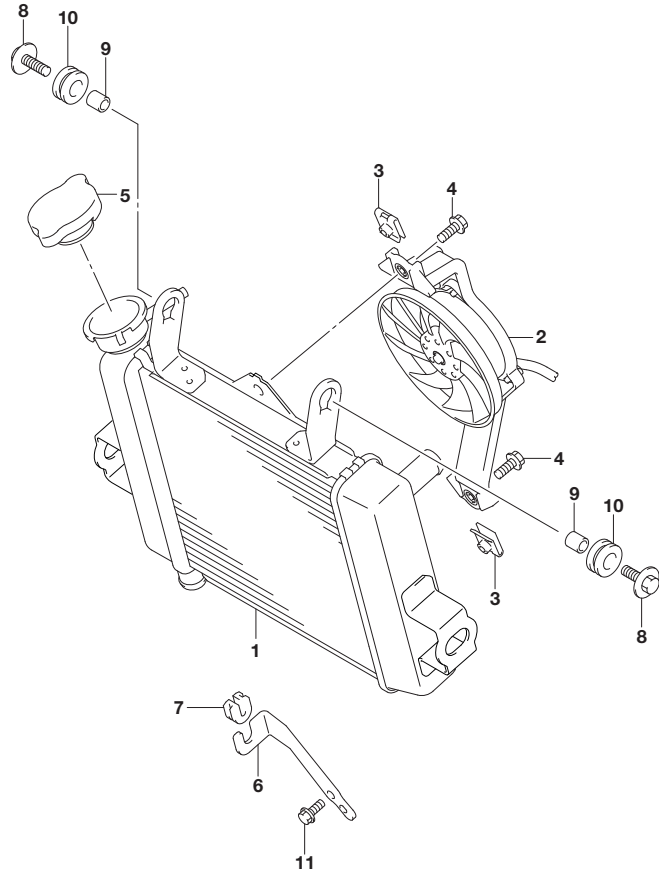


**FIG.180A (1-C-4) WATER PUMP**

REF NO.	PART NO.	DESCRIPTION	Q'TY	REMARKS
1	16331-12K00-000	GEAR, WATER PUMP DRIVEN (NT:30)	1	
2	17410-12K20-000	CASE, WATER PUMP (BLACK)	1	
3	17431-12K10-000	O RING, WATER PUMP CASE	1	
4	17461-12K00-000	SEAL, WATER PUMP SHAFT OIL	1	
5	17510-12K01-000	SHAFT, WATER PUMP	1	
6	09168-06018-000	GASKET (6.2X13X1.2)	1	
7	09261-02001-000	PIN (2.5X19.8)	1	
8	01547-0620A-000	BOLT	3	
9	01547-0675A-000	BOLT	2	
10	08113-0608A-000	BEARING	2	
11	08332-1106A-000	E RING	2	



**FIG.185A**



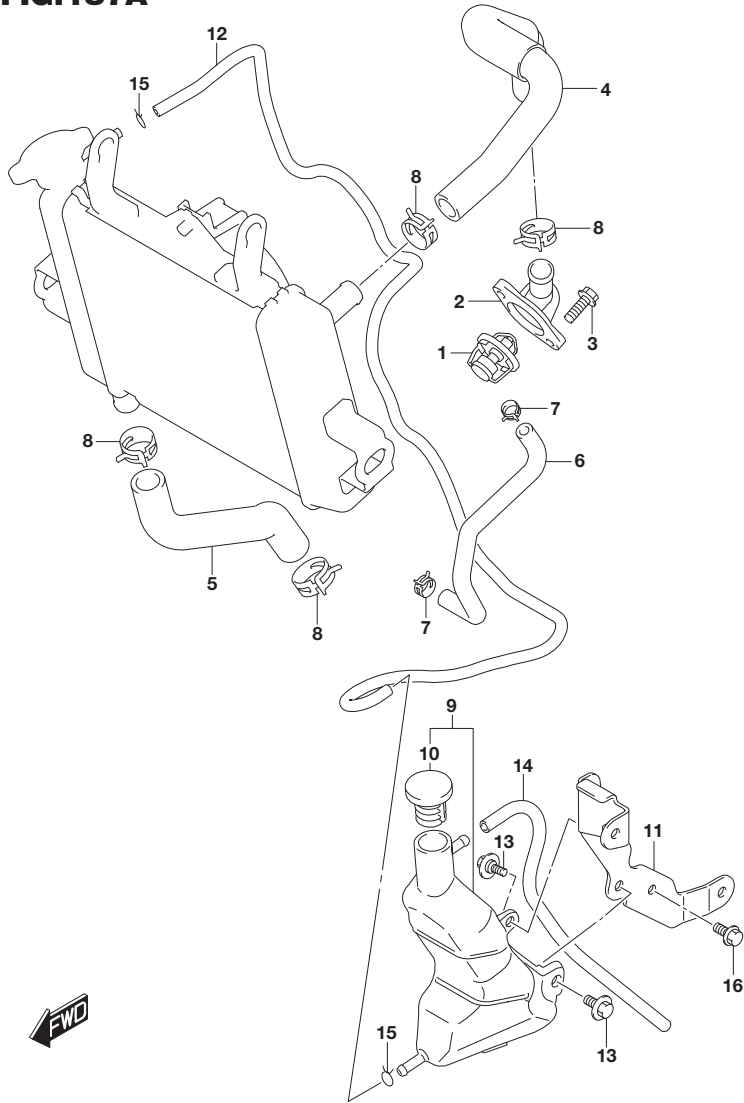
**FIG.185A (1-C-5) RADIATOR**

REF NO.	PART NO.	DESCRIPTION	Q'TY	REMARKS
1	17710-23K00-000	RADIATOR ASSY, WATER	1	
2	17800-12K00-000	FAN ASSY	1	
3	17802-12K00-000	NUT	2	
4	01550-0616A-000	BOLT	2	
5	17730-14G00-000	CAP, RADIATOR(1.1)	1	
6	17751-12K00-000	BRACKET, RADIATOR LOWER	1	
7	17781-12J00-000	CUSHION	1	
8	09116-06111-000	BOLT (6X20)	2	
9	09180-06310-000	SPACER (6.5X10X10)	2	
10	09320-10501-000	CUSHION	2	
11	01550-0610A-000	BOLT	1	

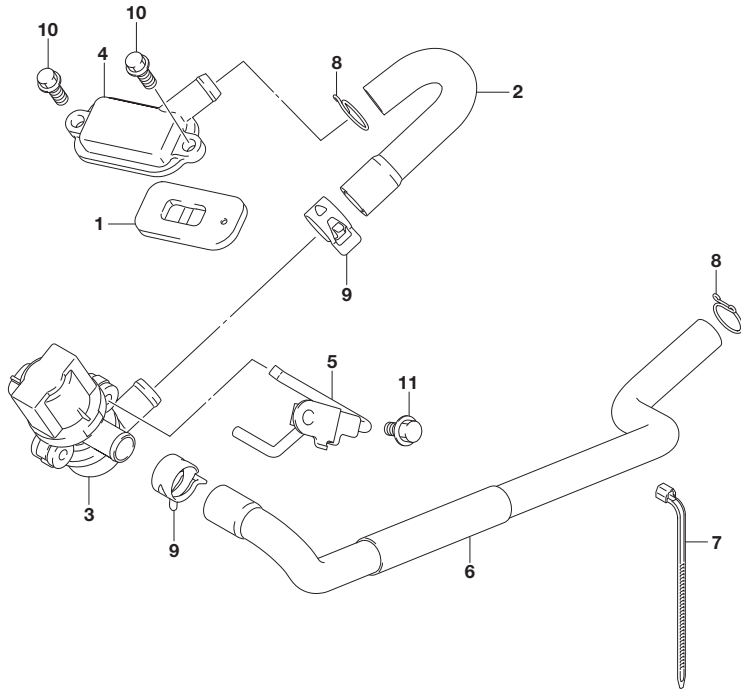
**FIG.187A**

**FIG.187A (1-C-6) RADIATOR HOSE**

REF NO.	PART NO.	DESCRIPTION	Q'TY	REMARKS
1	17670-12K11-000	THERMOSTAT, WATER	1	
2	17661-12K02-000	COVER, THERMOSTAT	1	
3	01547-0620A-000	BOLT	2	
4	17851-23K00-000	HOSE, RADIATOR INLET	1	
5	17852-12K10-000	HOSE, RADIATOR OUTLET	1	
6	17856-12K00-000	HOSE, WATER BYPASS	1	
7	09401-10417-000	CLIP	2	
8	09401-20406-000	CLIP	4	
9	17910-23K00-000	TANK ASSY, RESERVOIR	1	
10	17931-31J10-000	.CAP, WATER RESERVOIR TANK	1	
11	17920-23K10-000	BRACKET, RESERVOIR TANK	1	
12	17981-23K10-000	HOSE, RESERVOIR TANK INLET	1	
13	09111-06063-000	BOLT (6X12)	2	
14	09352-50007-140	HOSE	1	
15	09401-08402-000	CLIP	2	
16	01547-0612A-000	BOLT	2	



**FIG.189A**

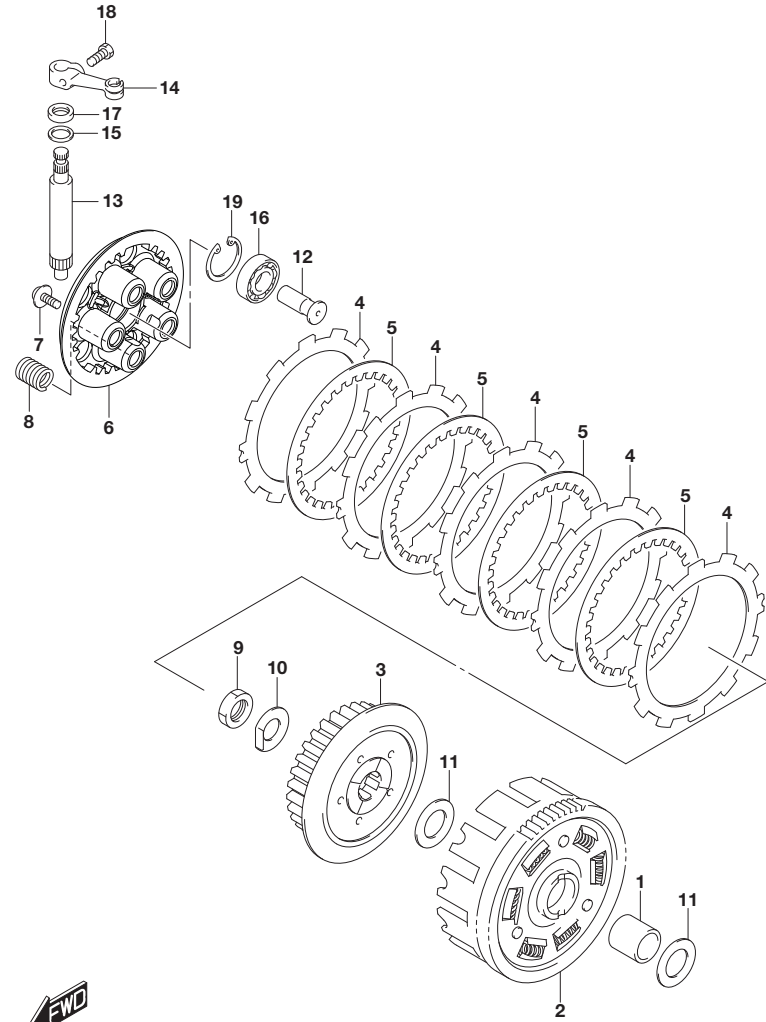


**FIG.189A (1-C-7) 2ND AIR**

REF NO.	PART NO.	DESCRIPTION	QTY	REMARKS
1	18450-06G10-000	VALVE ASSY,2ND AIR REED	1	
2	18461-23K01-000	HOSE,2ND AIR VALVE	1	
3	18510-48H10-000	VALVE ASSY,AIR CUT	1	
4	18531-09J00-000	COVER,2ND AIR REED VALVE	1	
5	18610-23K10-000	BRACKET,2ND AIR VALVE	1	
6	18711-23K01-000	HOSE,2ND AIR CLNR	1	
7	36990-25G20-000	CLAMP	1	
8	09401-15101-000	CLIP	2	
9	09401-17L01-000	CLIP	2	
10	01547-0616A-000	BOLT	2	
11	01550-0612A-000	BOLT	1	



**FIG.201A**

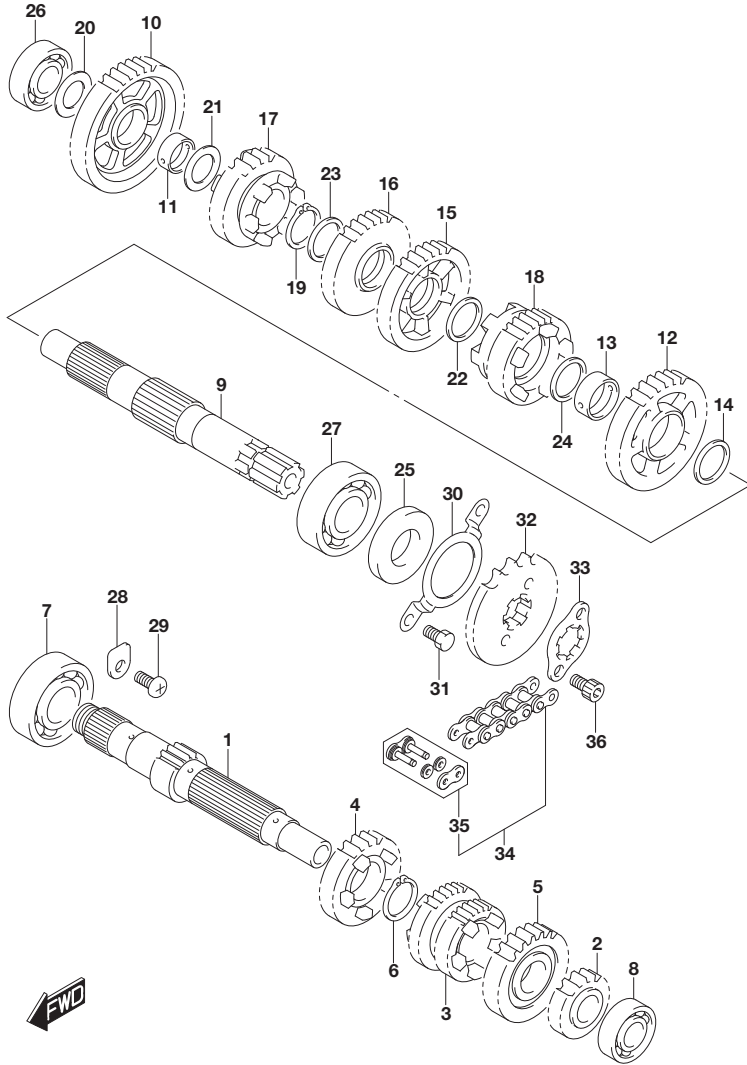


**FIG.201A (1-C-8) CLUTCH**

REF NO.	PART NO.	DESCRIPTION	Q'TY	REMARKS
1	21251-12K02-000	SPACER, PRIMARY DRIVEN GEAR	1	
2-1	21200-12K10-0A0	GEAR ASSY, PRIMARY DRIVEN (NT:69) (GREEN)	1	
2-2	21200-12K10-0B0	GEAR ASSY, PRIMARY DRIVEN (NT:69) (PINK)	1	
3	21411-05241-000	HUB, CLUTCH SLEEVE	1	
4	21441-25G10-000	PLATE, DRIVE (T:3.0)	5	
5	21451-28040-000	PLATE, DRIVEN (T:1.6)	4	
6	21462-23K00-000	DISC, CLUTCH PRESSURE	1	
7	09116-05147-000	BOLT (5X16)	5	
8	09440-15042-000	SPRING	5	
9	21414-12K00-000	NUT	1	
10	09169-16009-000	WASHER	1	
11	08211-20352-000	WASHER	2	
12	23165-28G60-000	RACK, CLUTCH RELEASE	1	
13	23261-12K01-000	PINION, RELEASE	1	
14	23271-47E20-000	ARM, RELEASE	1	
15	09160-12086-000	WASHER (12.5X17X1)	1	
16	08110-62000-000	BEARING	1	
17	09285-10008-000	SEAL (10X17X5)	1	
18	01500-0616B-000	BOLT	1	
19	08331-41309-000	CIRCLIP	1	



**FIG.206A**

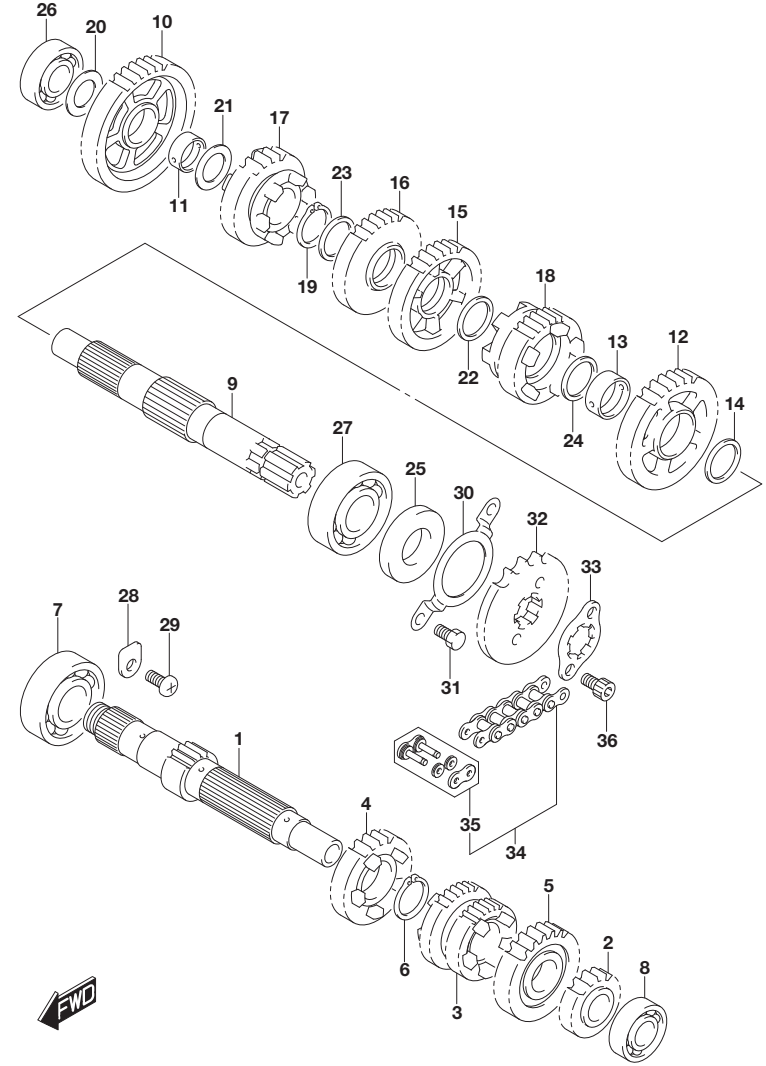


**FIG.206A (1-C-9) TRANSMISSION**

REF NO.	PART NO.	DESCRIPTION	Q'TY	REMARKS
1	24121-12K10-000	COUNTERSHAFT (NT:13)	1	
2	24221-12K10-000	GEAR, 2ND DRIVE (NT:15)	1	
3	24231-12K10-000	GEAR, 3RD/4TH (NT:21/23)	1	
4	24251-12K40-000	GEAR, 5TH DRIVE (NT:22)	1	
5	24261-12K40-000	GEAR, 6TH DRIVE (NT:27)	1	
6	09380-20019-000	CIRCLIP	1	
7	08110-62040-000	BEARING	1	RH
8	08120-60020-000	BEARING	1	LH
9	24130-12820-000	SHAFT, DRIVE	1	
10	24311-12K10-000	GEAR, 1ST DRIVEN (NT:38)	1	
11	24312-12K00-000	BUSH, 1ST DRIVEN GEAR	1	
12	24321-12K10-000	GEAR, 2ND DRIVEN (NT:29)	1	
13	24322-12K00-000	BUSH, 2ND DRIVEN GEAR	1	
14	24323-12K00-000	WASHER, 2ND DRIVEN GEAR LH	1	
15	24331-12K10-000	GEAR, 3RD DRIVEN (NT:31)	1	
16	24341-12K40-000	GEAR, 4TH DRIVEN (NT:28)	1	
17	24351-12K10-000	GEAR, 5TH DRIVEN (NT:23)	1	
18	24361-12K10-000	GEAR, 6TH DRIVEN (NT:25)	1	
19	09380-20019-000	CIRCLIP	1	
20	08211-15251-000	WASHER	1	
21	08211-16251-000	WASHER	1	
22	08211-20241-000	WASHER	1	
23	08211-20241-000	WASHER	1	
24	09181-20139-000	SHIM(20X26X1)	1	
25	24399-12K00-000	SEAL, DRIVE SHAFT OIL	1	
26	08110-62020-000	BEARING	1	
27	09262-20178-000	BEARING	1	
28	24741-20A10-000	RETAINER, CNTR SHAFT BEARING	1	
29	02112-0612A-000	SCREW	1	
30	24751-05210-000	RETAINER, DRIVE SHAFT OIL SEAL	1	



**FIG.206A**



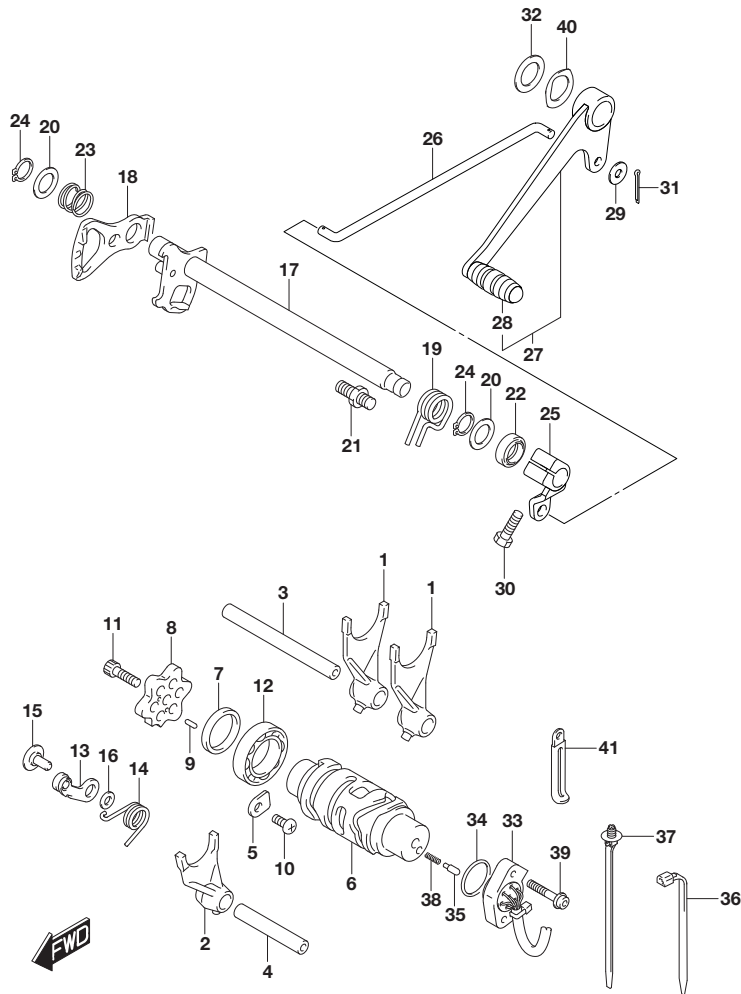
**FIG.206A (1-C-10) TRANSMISSION**

REF NO.	PART NO.	DESCRIPTION	Q'TY	REMARKS
31	01500-0610A-000	BOLT	2	
32	27511-23K10-000	SPROCKET, ENGINE (NT:15)	1	
33	27512-25G00-000	PLATE, ENGINE SPROCKET	1	
34	27610-12K00-122	CHAIN ASSY (RK 428KL0)	1	
35	27620-12K00-000	JOINT, LINK (RK)	1	
36	07130-0610A-000	BOLT	2	

**FIG.212A**

**FIG.212A (1-C-11) GEAR SHIFTING**

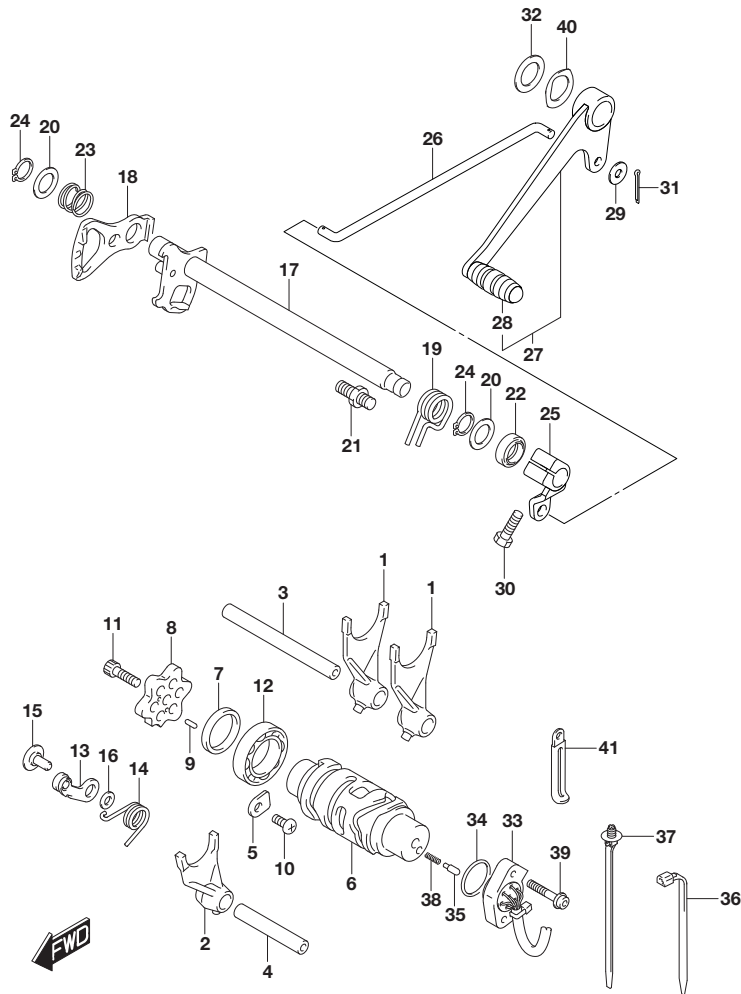
REF NO.	PART NO.	DESCRIPTION	Q'TY	REMARKS
1	25211-12K00-000	FORK, GEAR SHIFTING NO.1	2	
2	25231-12K00-000	FORK, GEAR SHIFTING NO.3	1	
3	25411-25G10-000	SHAFT, GEAR SHIFTING NO.1	1	
4	25421-25G10-000	SHAFT, GEAR SHIFTING NO.2	1	
5	24741-20A10-000	RETAINER	1	
6	25311-12K00-000	CAM, GEAR SHIFTING	1	
7	25312-12K00-000	SPACER, GEAR SHIFT CAM BRG	1	
8	25381-12K00-000	PLATE, GEAR SHIFT CAM	1	
9	09261-03002-000	PIN (3X9.8)	2	
10	02112-0612A-000	SCREW	1	
11	07130-0620A-000	BOLT	1	
12	08110-69050-000	BEARING	1	
13	25350-26D01-000	STOPPER, CAM	1	
14	25355-12K00-000	SPRING, STOPPER	1	
15	25357-22J00-000	BOLT, SHIFT CAM STOPPER	1	
16	08211-06121-000	WASHER	1	
17	25510-12K11-000	SHAFT, GEAR SHIFTING	1	
18	25512-12K01-000	PLATE, GEAR SHIFT CAM	1	
19	25518-12K10-000	SPRING, SHIFT SHAFT RETURN	1	
20	25519-25G00-000	WASHER (14X22X1)	2	
21	25671-22J10-000	STOPPER, GEAR SHIFT	1	
22	09283-14014-000	SEAL (14X22X6)	1	
23	09440-17013-000	SPRING	1	
24	08331-31149-000	CIRCLIP	2	



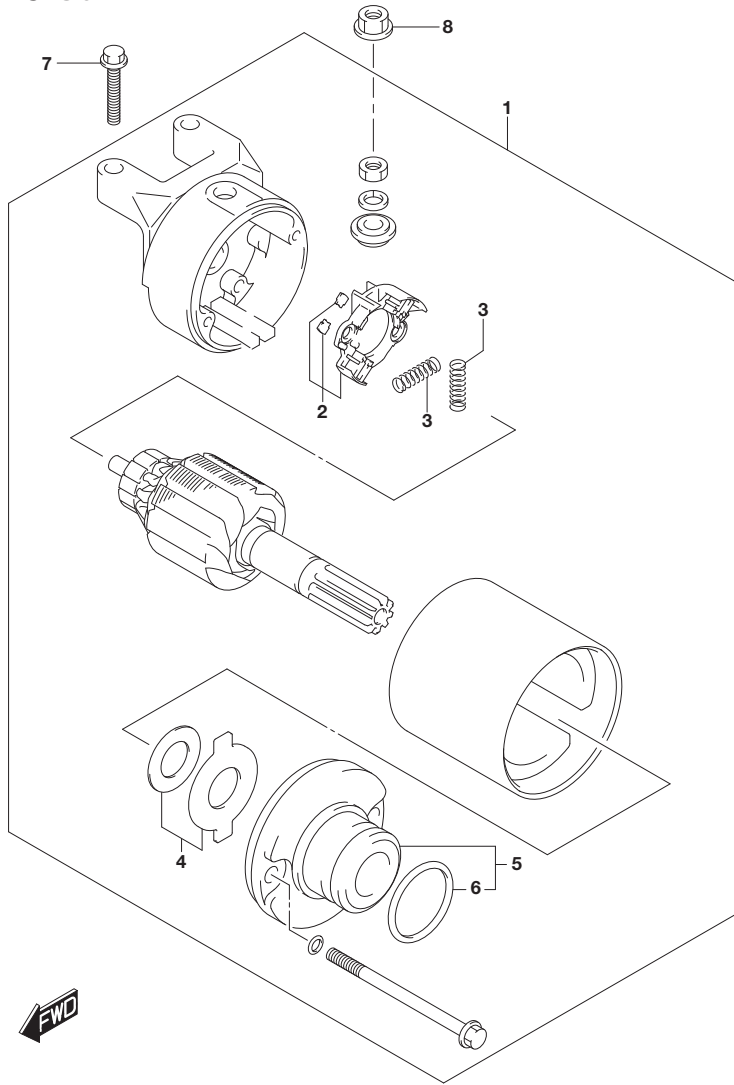
**FIG.212A**

**FIG.212A (1-C-12) GEAR SHIFTING**

REF NO.	PART NO.	DESCRIPTION	Q'TY	REMARKS
25	25520-23K00-000	ARM, GEAR SHIFT LINK	1	
26	25525-23K00-000	ROD, GEAR SHIFT LINK	1	
27	25600-23K61-000	LEVER ASSY, GEAR SHIFTING	1	
28	25652-16H11-000	,RUBBER, PEDAL	1	
29	25617-30H00-000	WASHER, GEAR SHIFT LINK ROD	2	
30	01500-0620A-000	BOLT	1	
31	04111-2015A-000	PIN	2	
32	09160-18043-000	WASHER (18X24X1)	1	
33	37720-12K12-000	BASE ASSY, GEAR SHIFT TERM	1	
34	37722-25G00-000	O RING (D:2.4,ID:26.2)	1	
35	09209-05011-000	PIN (5X15.5)	2	
36	36990-25G20-000	CLAMP, GEAR SHIFT SW LEAD	1	
37	09407-17403-000	CLAMP (L:154)	1	
38	09440-04010-000	SPRING	2	
39	07130-0520A-000	BOLT	2	
40	09164-18002-000	WASHER, WAVE	1	
41	09404-06429-000	CLAMP (L:45)	1	



**FIG.301A**



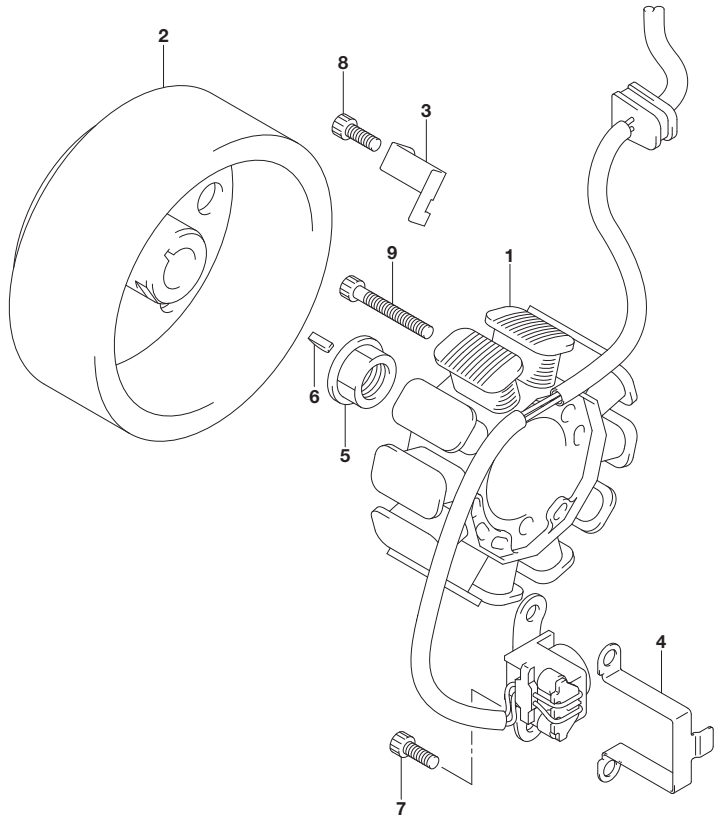
**FIG.301A (1-C-13) STARTING MOTOR**

REF NO.	PART NO.	DESCRIPTION	QTY	REMARKS
1	31100-12K10-000	MOTOR ASSY,STARTING	1	
2	31130-20G00-000	.HOLDER SET,BRUSH	1	
3	31135-19D00-000	.SPRING	2	
4	31151-20G00-000	.HOUSING SET	1	
5	31156-98E00-000	..O RING	2	
6	31170-19B10-000	.WASHER SET	4	
7	01547-0625A-000	BOLT	2	
8	08361-3506A-000	NUT	1	

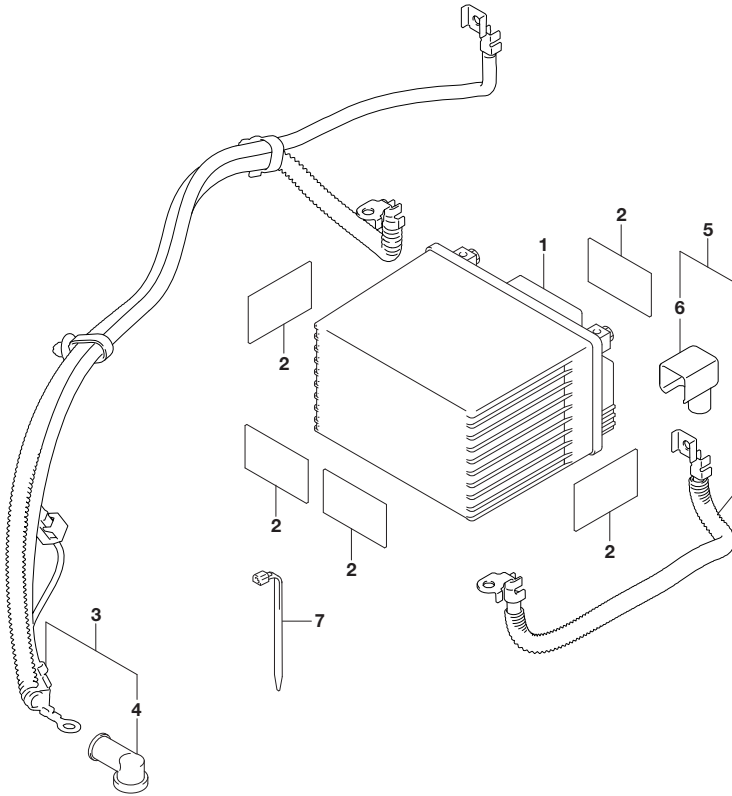
# FIG.303A

## FIG.303A (1-C-14) MAGNETO

REF NO.	PART NO.	DESCRIPTION	QTY	REMARKS
1	32101-12K11-000	STATOR ASSY	1	
2	32102-12K10-000	ROTOR ASSY	1	
3	32371-12K00-000	CLAMP, MAGNET LEAD	1	
4	32371-16H00-000	CLAMP, MAGNET LEAD	1	
5	09159-14037-000	NUT	1	
6	09420-03008-000	KEY	1	
7	07130-0512A-000	BOLT	2	
8	07130-0512A-000	BOLT	1	
9	07130-0535A-000	BOLT	3	



**FIG.310A**

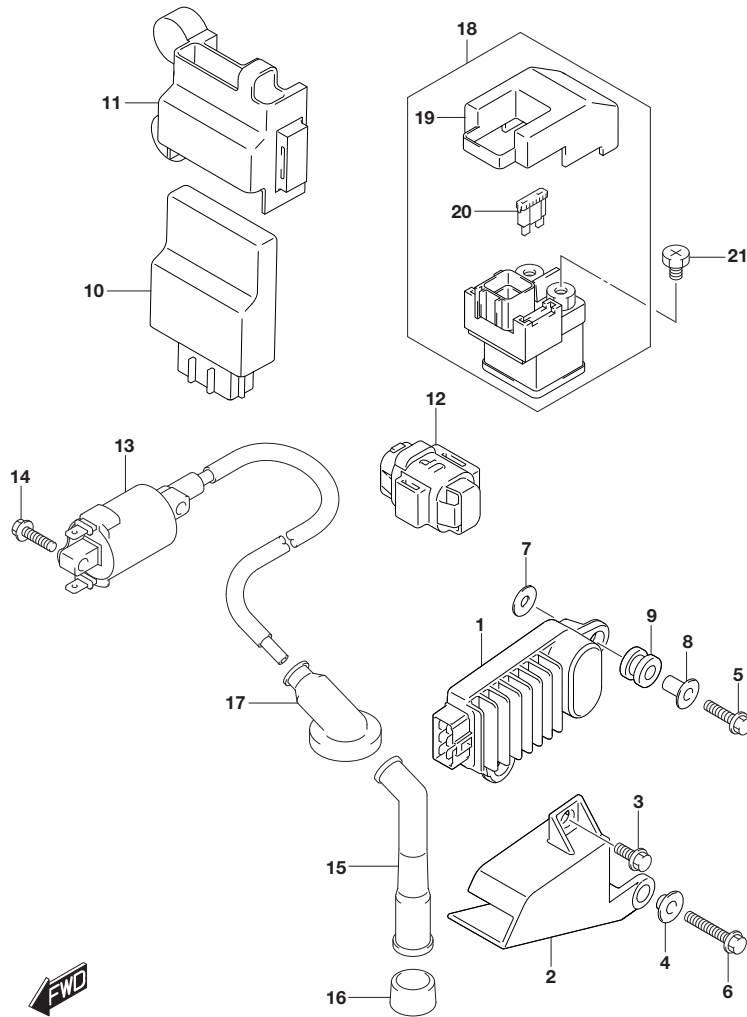


**FIG.310A (1-C-15) BATTERY**

REF NO.	PART NO.	DESCRIPTION	Q'TY	REMARKS
1	33620-23K20-000	BATTERY (YUASA YTZ6V,12V5AH)	1	
2	33652-38000-000	PROTECTOR	5	
3	33810-23K00-000	WIRE, STARTER MOTOR	1	
4	31861-48B10-000	.CAP	1	
5	33820-23K00-000	WIRE, BATTERY PLUS	1	
6	33624-23K00-000	.CAP	1	
7	09407-14407-000	CLAMP (L:145)	1	



**FIG.312A**

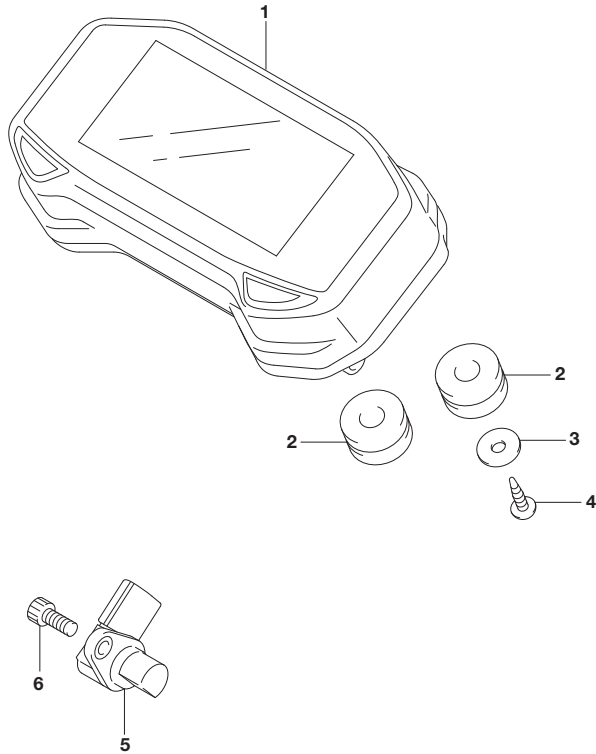


**FIG.312A (1-D-2) ELECTRICAL**

REF NO.	PART NO.	DESCRIPTION	Q'TY	REMARKS
1	32800-23K00-000	RECTIFIER ASSY	1	
2	32832-23K00-000	PLATE, RECTIFIER	1	
3	09111-06054-000	BOLT (6X14.6)	1	
4	09180-06325-000	SPACER (6.2X8.4X6.9)	1	
5	01550-0625A-000	BOLT	1	
6	01550-0635A-000	BOLT	1	
7	09160-06028-000	WASHER (6.5X18X1)	2	
8	09180-06375-000	SPACER, PROTECTOR	2	
9	09320-08507-000	CUSHION, PROTECTOR	2	
10	32920-23KJ1-000	CONTROL UNIT, FI	1	
11	32942-23K00-000	PROTECTOR, FI CONTROL UNIT	1	
12	33960-27G00-000	SENSOR ASSY, FUEL CUT	1	
13	33410-40J10-000	COIL ASSY, IGNITION	1	
14	01547-0620A-000	BOLT	2	
15	33510-25G00-000	CAP, SPARK PLUG	1	
16	33541-25G00-000	SEAL, SPARK PLUG	1	
17	33542-25G10-000	SEAL, HIGH TENSION CORD	1	
18	31800-33G60-000	RELAY ASSY, STARTING MOTOR	1	
19	31861-47E00-000	.COVER	1	
20	09481-20102-000	.FUSE (20A)	2	
21	09128-06013-000	SCREW (6X8)	2	



**FIG.330A**



**FIG.330A (1-D-3) SPEEDOMETER**

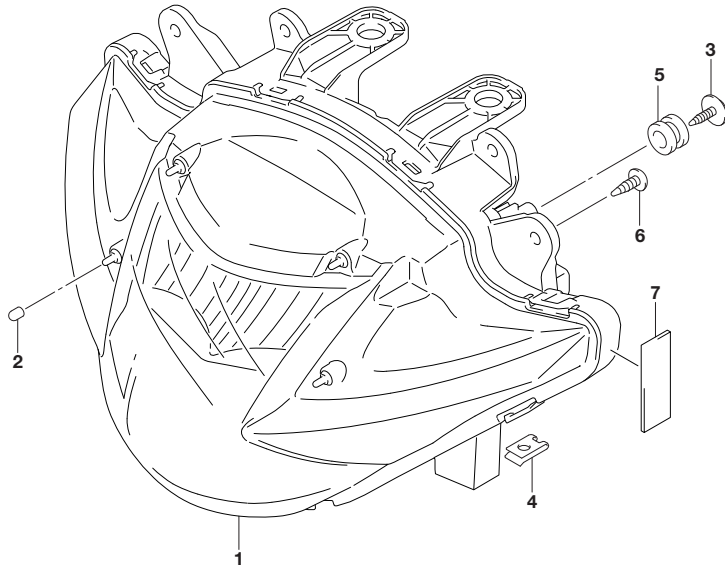
REF NO.	PART NO.	DESCRIPTION	Q'TY	REMARKS
1	34100-12KA0-000	SPEEDOMETER	1	
2	34189-30H30-000	CUSHION, SPEEDOMETER	3	
3	09160-04026-000	WASHER (4.5X16X1.2)	1	
4	03541-0416A-000	SCREW	1	
5	34990-12K00-000	SENSOR, SPEED	1	
6	07130-0512B-000	BOLT	1	



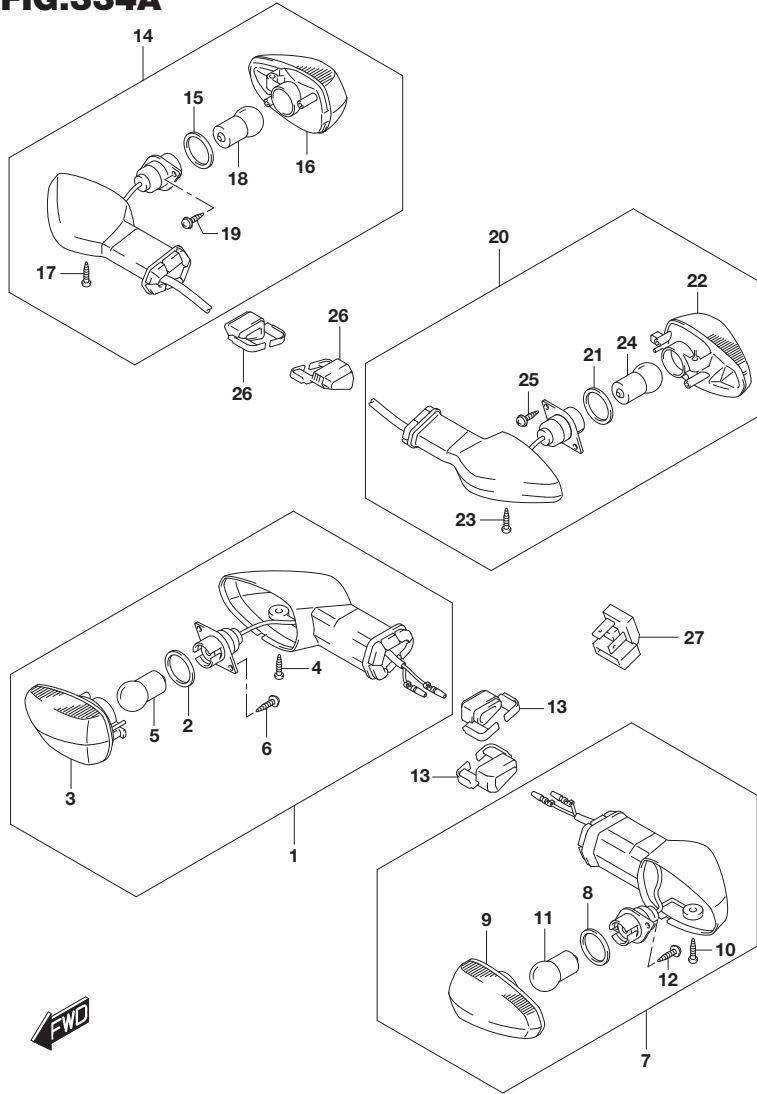
**FIG.333A**

**FIG.333A (1-D-4) HEADLAMP**

REF NO.	PART NO.	DESCRIPTION	Q'TY	REMARKS
1	35100-23K11-000	LAMP ASSY, FRONT COMB	1	
2	44294-43H11-000	CUSHION, HEDLAMP COVER	4	
3	09136-05062-000	SCREW (5X15)	3	
4	09148-05080-000	NUT	2	
5	09320-09016-000	CUSHION	3	
6	03541-0516A-000	SCREW	2	
7	94435-23K00-000	CUSHION, HEADLAMP	2	



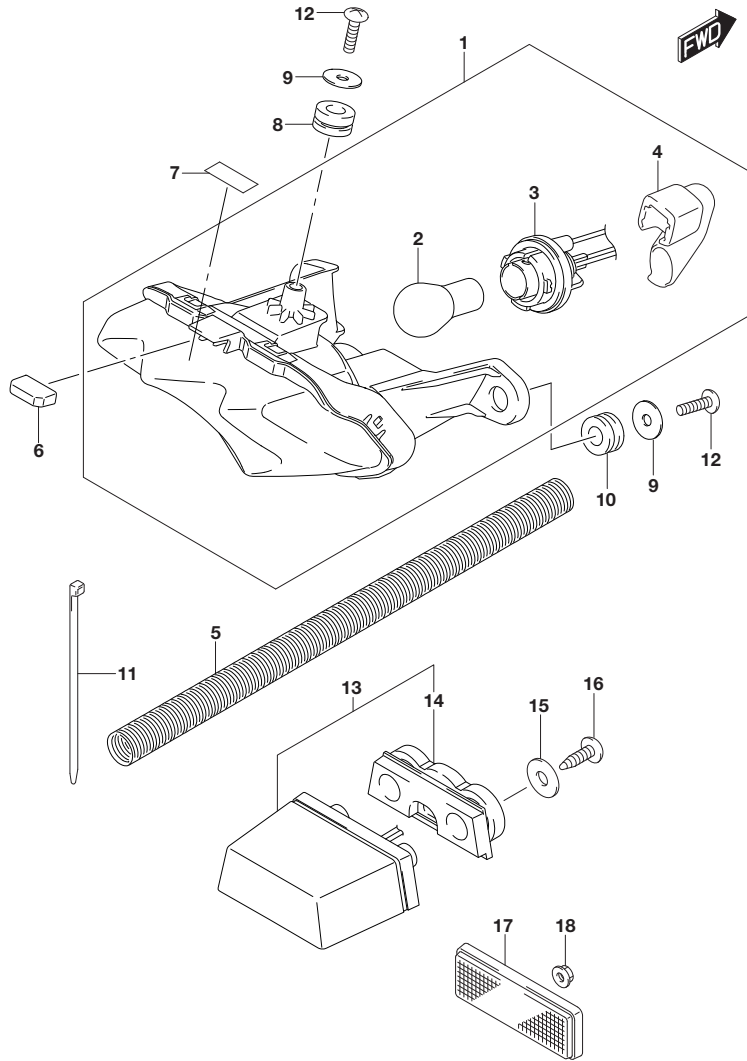
**FIG.334A**



**FIG.334A (1-D-5) TURNSIGNAL LAMP**

REF NO.	PART NO.	DESCRIPTION	Q'TY	REMARKS
1	35601-34J62-000	LAMP ASSY, FRONT TURNSIGNAL RH	1	
2	35613-34J00-000	.GASKET	1	
3	35614-34J11-000	.LAMP UNIT	1	
4	35623-34J30-000	.SCREW	1	
5	09471-12226-000	.BULB (12V,10W)	1	AMBER
6	35623-34J40-000	.SCREW	2	
7	35602-34J62-000	LAMP ASSY, FRONT TURNSIGNAL LH	1	
8	35613-34J00-000	.GASKET	1	
9	35634-34J11-000	.LAMP UNIT	1	
10	35623-34J30-000	.SCREW	1	
11	09471-12226-000	.BULB (12V,10W)	1	AMBER
12	35623-34J40-000	.SCREW	2	
13	35629-34J10-000	PLATE, TURNSIGNAL	2	
14	35603-34J62-000	LAMP ASSY, REAR TURNSIGNAL RH	1	
15	35613-34J00-000	.GASKET	1	
16	35634-34J11-000	.LAMP UNIT	1	
17	35623-34J30-000	.SCREW	1	
18	09471-12226-000	.BULB (12V,10W)	1	AMBER
19	35623-34J40-000	.SCREW	2	
20	35604-34J62-000	LAMP ASSY, REAR TURNSIGNAL LH	1	
21	35613-34J00-000	.GASKET	1	
22	35614-34J11-000	.LAMP UNIT	1	
23	35623-34J30-000	.SCREW	1	
24	09471-12226-000	.BULB (12V,10W)	1	AMBER
25	35623-34J40-000	.SCREW	2	
26	35629-34J10-000	PLATE, REAR TURNSIGNAL	2	
27	38610-23K00-000	RELAY ASSY, TURNSIGNAL	1	

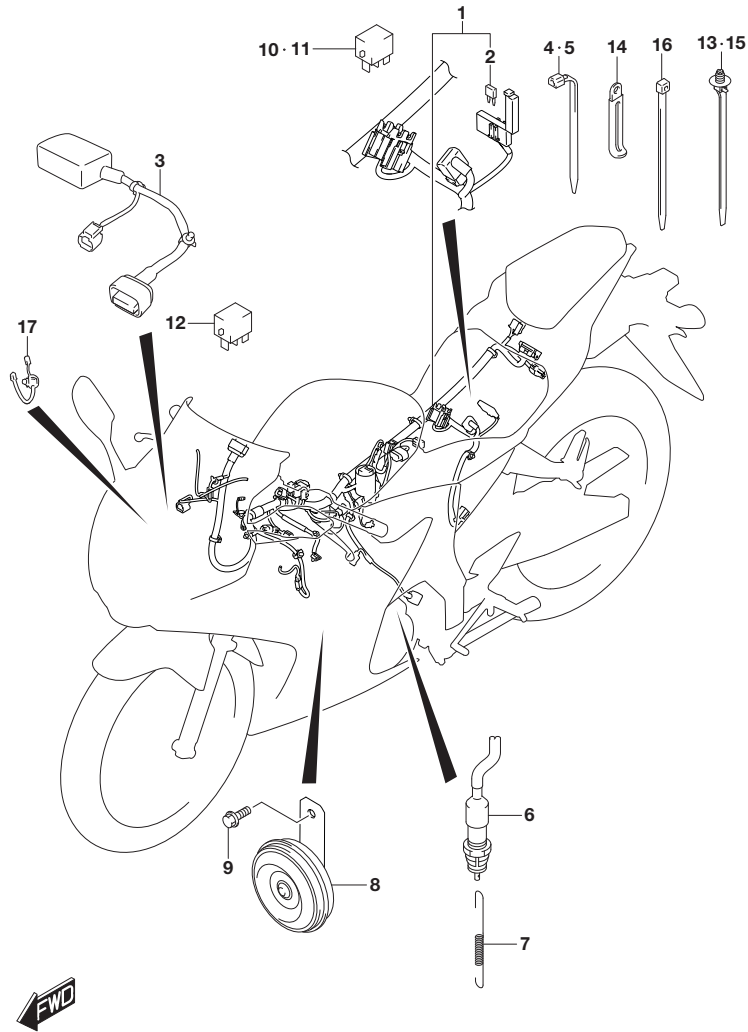
**FIG.339A**



**FIG.339A (1-D-6) REAR COMBINATION LAMP**

REF NO.	PART NO.	DESCRIPTION	Q'TY	REMARKS
1	35710-23K00-000	LAMP ASSY, REAR COMBINATION	1	
2	09471-12083-000	.BULB (12V21/5W)	1	
3	35718-23K00-000	.CORD ASSY	1	
4	35650-23K00-000	.TUBE BREATH	1	
5	35693-23K00-000	PROTECTOR TUBE	1	
6	35781-23K00-000	CUSHION, REAR COMB LAMP	1	
7	35781-23K10-000	CUSHION, REAR COMB LAMP	1	
8	35781-45H00-000	CUSHION, REAR COMB LAMP	1	
9	09160-05050-000	WASHER (5.5X18X1)	3	
10	09320-09016-000	CUSHION	2	
11	09407-11401-000	CLAMP (L:95)	1	
12	03541-0516A-000	SCREW	3	
13	35910-23K00-000	LAMP ASSY, LICENSE	1	
14	35913-23K00-000	.RUBBER	1	
15	09160-05050-000	WASHER (5.5X18X1)	2	
16	03541-0512A-000	SCREW	2	
17	35970-28G00-000	REFLECTOR ASSY, REAR	1	
18	08316-1005A-000	NUT	1	

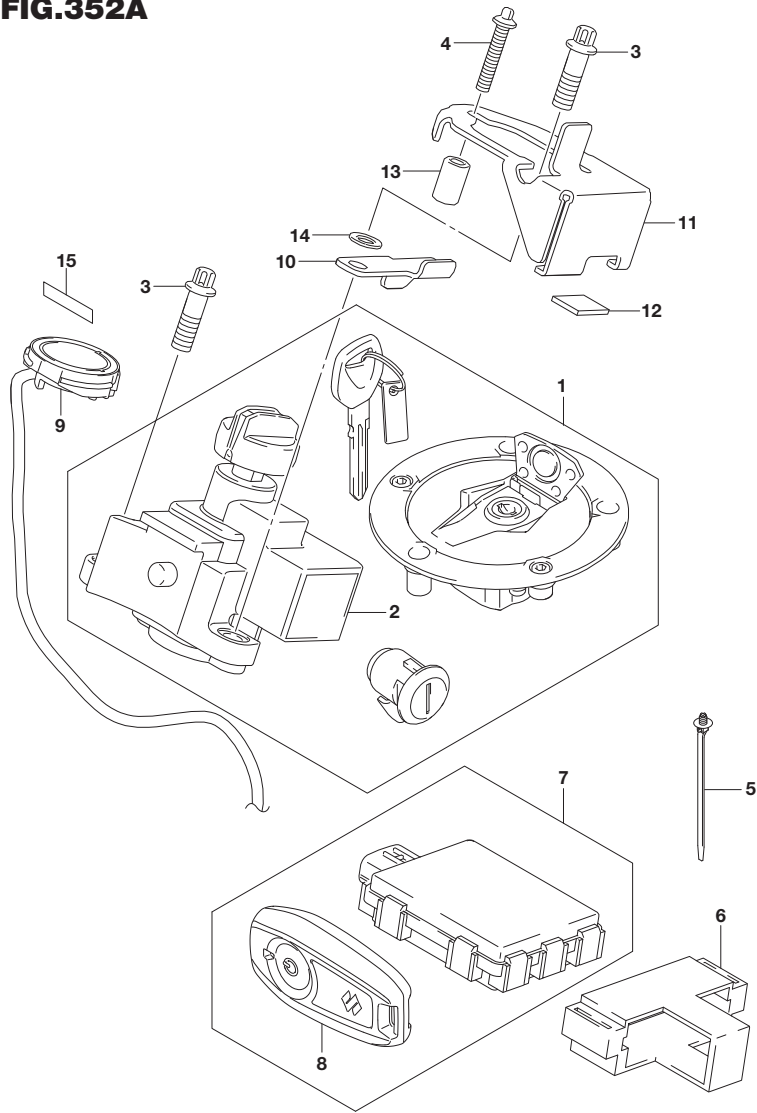
**FIG.350A**



**FIG.350A (1-D-7) WIRING HARNESS**

REF NO.	PART NO.	DESCRIPTION	Q'TY	REMARKS
1	36610-28L00-000	HARNESS, WIRING	1	
2	09481-10501-000	.FUSE (10A)	2	
3	36620-23K00-000	HARNESS, WIRING NO.2	1	
4	09407-14403-000	CLAMP (L:125)	1	
5	36990-25G20-000	CLAMP, WIRING HARNESS	1	
6	37740-12K10-000	SWITCH ASSY, STOP LAMP	1	
7	43232-34J00-000	SPRING, STOP LAMP SWITCH	1	
8	38500-23K11-000	HORN ASSY	1	
9	01550-0612A-000	BOLT	1	
10	38860-33J00-000	RELAY	1	MAIN
11	38860-33J00-000	RELAY	1	FAN MOTOR
12	38860-33J00-000	RELAY	1	SOLENOID
13	09407-17403-000	CLAMP (L:154)	1	
14	09404-06429-000	CLAMP (L:45)	1	
15	09407-14407-000	CLAMP (L:145)	1	
16	09407-17403-000	CLAMP (L:154)	1	
17	36852-28L00-000	WIRE, FAN MOTOR LEAD	1	

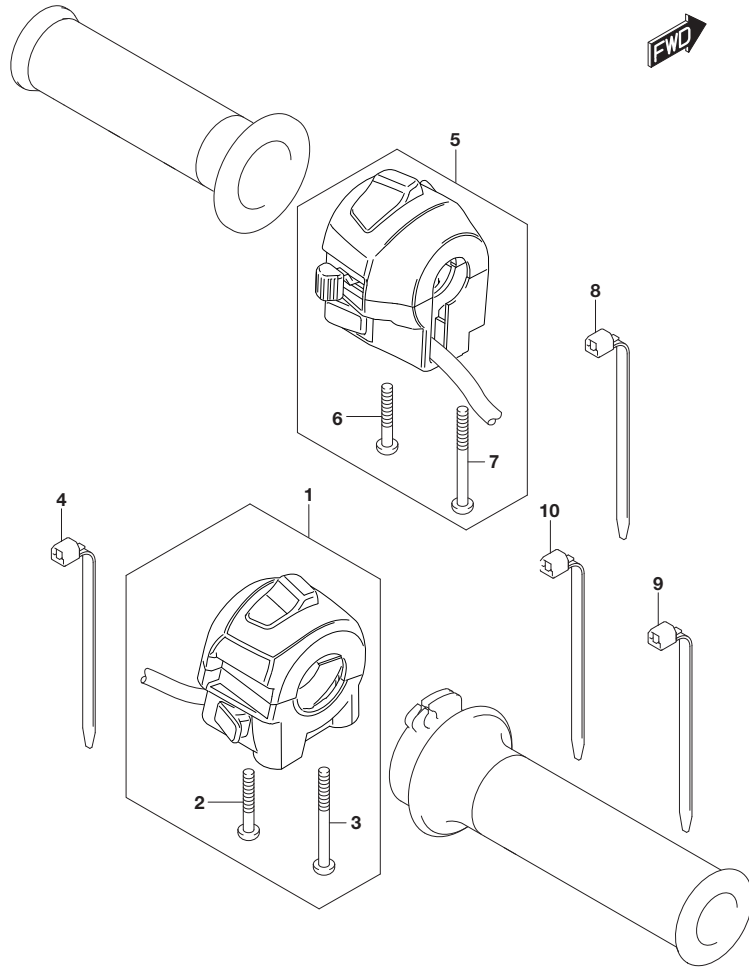
**FIG.352A**



**FIG.352A (1-D-8) LOCK SET**

REF NO.	PART NO.	DESCRIPTION	Q'TY	REMARKS
1	37101-23831-000	LOCK SET	1	
2	37100-23K31-000	.LOCK ASSY, STEERING	1	
3	37152-23KA0-000	BOLT, STEERING LOCK	2	
4	37152-23K10-000	BOLT,STEERING LOCK COVER	1	
5	09407-17403-000	CLAMP (L:154)	1	
6	37173-23K01-000	HOLDER,KEYLESS CONTROLLER	1	
7	37180-23K53-000	CONTROLLER ASSY,KEYLESS START	1	
8	37172-23K24-000	.TRANSMITTER	1	
9	37181-23K20-000	INDICATOR,KEYLESS	1	
10	37186-23K00-000	COVER,STEERING LOCK	1	
11	37186-23K10-000	COVER,STEERING LOCK	1	
12	37187-23K00-000	CUSHION,STEERING LOCK COVER	1	
13	37713-23K00-000	SPACER,STEERING LOCK COVER	1	
14	09160-08091-000	WASHER(8.5X14X1.0)	1	
15	37183-23K00-000	TAPE,KEYLESS INDICATOR	1	

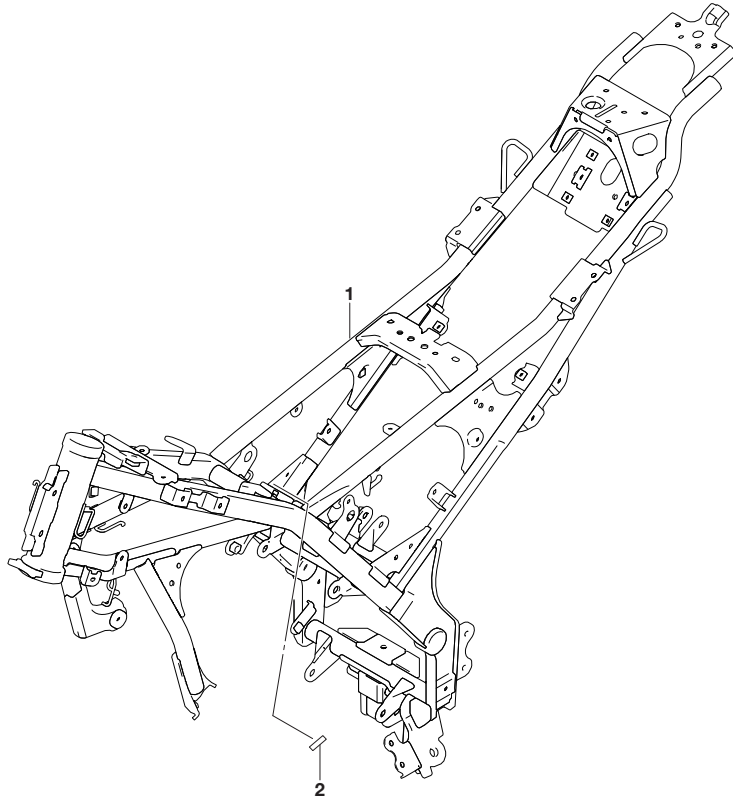
**FIG.355A**



**FIG.355A (1-D-9) HANDLE SWITCH**

REF NO.	PART NO.	DESCRIPTION	Q'TY	REMARKS
1	37200-23K50-000	SWITCH ASSY, HANDLE RH	1	
2	02112-0530B-000	.SCREW	1	
3	02112-0550B-000	.SCREW	1	
4	09407-14407-000	CLAMP (L:145)	1	
5	37400-23K30-000	SWITCH ASSY, HANDLE LH	1	
6	02112-0525B-000	.SCREW	1	
7	02112-0540B-000	.SCREW	1	
8	09407-14407-000	CLAMP (L:145)	1	
9	36990-25G20-000	CLAMP, HANDLE SWITCH	1	
10	36990-25G00-000	CLAMP	1	

# FIG.401A



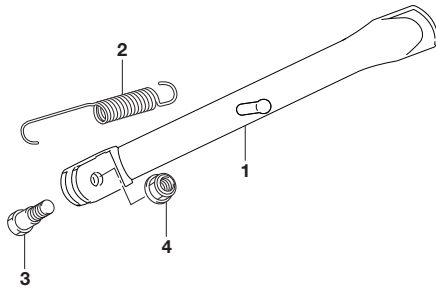
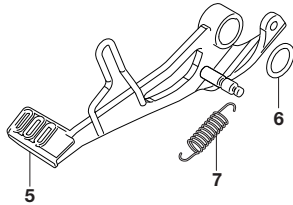
## FIG.401A (1-D-10) FRAME

REF NO.	PART NO.	DESCRIPTION	Q'TY	REMARKS
1	41100-23KF0-000	FRAME	1	
2	35781-23K10-000	CUSHION	1	

# FIG.407A

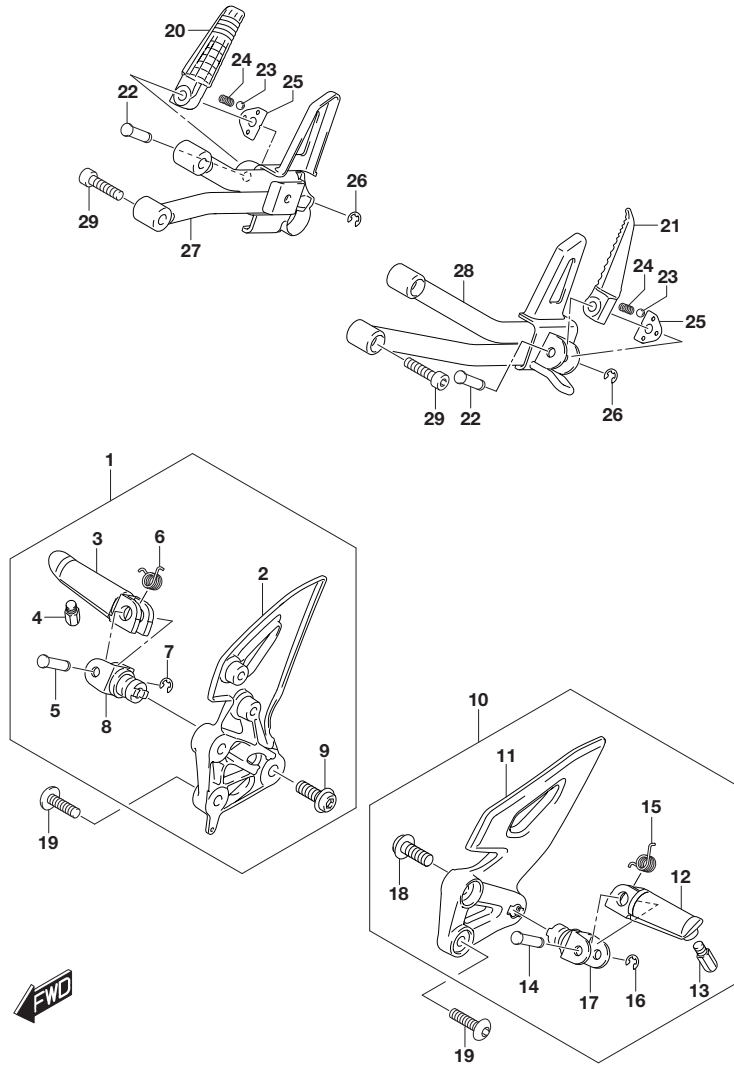
## FIG.407A (1-D-11) STAND

REF NO.	PART NO.	DESCRIPTION	Q'TY	REMARKS
1	42310-23K00-000	STAND, PROP	1	
2	09443-14077-000	SPRING	1	
3	42341-40J00-000	BOLT, PROP STAND	1	
4	08319-3110A-000	NUT	1	
5	43110-23K01-000	PEDAL, BRAKE	1	
6	09160-18022-000	WASHER (18X24X1)	1	
7	09443-11033-000	SPRING	1	





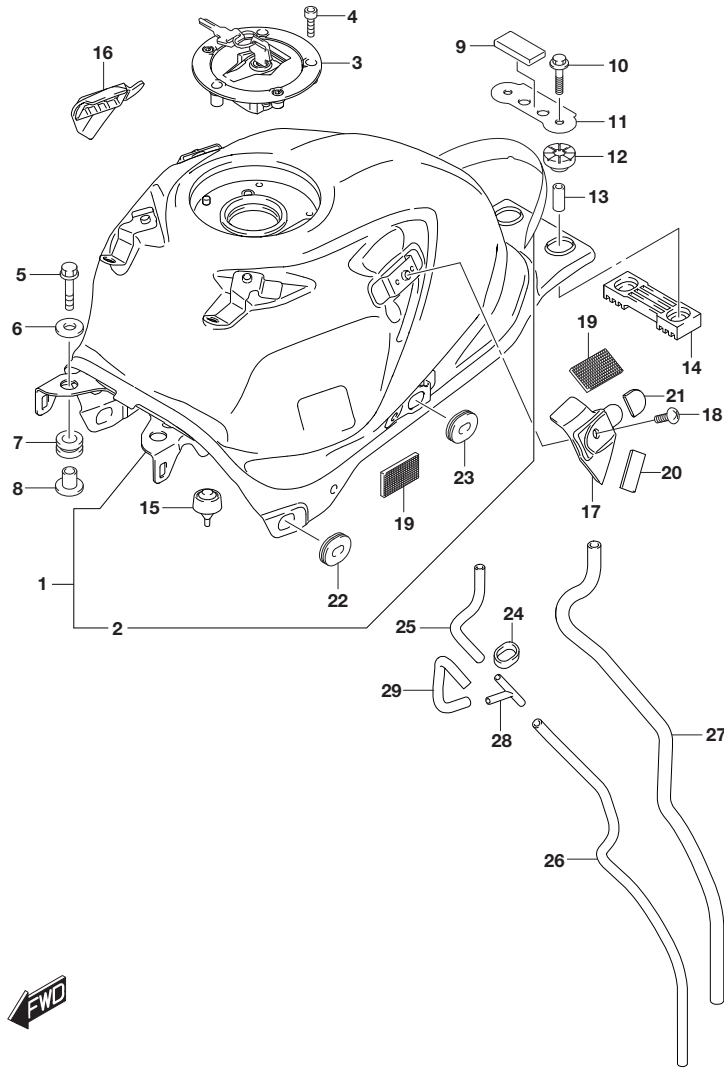
# FIG.415A



# FIG.415A (1-D-12) FOOTREST

REF NO.	PART NO.	DESCRIPTION	Q'TY	REMARKS
1	43501-23K10-000	FOOTREST ASSY, FR RH	1	
2	43511-23K00-000	.BRACKET, FR FTRST RH	1	
3	43516-35F10-000	.BAR, FRONT FOOTREST RH	1	
4	43576-48B02-000	.BOLT, BANK SENSOR	1	
5	09208-08018-000	.PIN	1	
6	09448-14037-000	.SPRING	1	
7	08332-1106A-000	.E RING	1	
8	43530-23K00-000	.HOLDER, FOOTREST	1	
9	09106-10064-000	.BOLT (10X28)	1	
10	43502-23K00-000	FOOTREST ASSY, FR LH	1	
11	43521-23K00-000	.BRACKET, FR FTRST LH	1	
12	43526-35F10-000	.BAR, FRONT FOOTREST LH	1	
13	43576-48B02-000	CBOLT, BANK SENSOR	1	
14	09208-08018-000	.PIN	1	
15	09448-14037-000	.SPRING	1	
16	08332-1106A-000	.E RING	1	
17	43530-23K00-000	.HOLDER, FOOTREST	1	
18	09106-10064-000	.BOLT (10X28)	1	
19	09106-08196-000	BOLT (6X23)	4	
20	43611-23K01-000	BAR, PILLION RH	1	
21	43621-23K01-000	BAR, PILLION LH	1	
22	09208-08020-000	PIN	2	
23	06111-07004-000	BALL	2	
24	09440-05005-000	SPRING	2	
25	43816-01H02-000	PLATE, PILLION FOOTREST	2	
26	08332-1106A-000	E RING	2	
27	43810-23K30-000	BRACKET, PILLION FTRST RH	1	
28	43820-23K30-000	BRACKET, PILLION FTRST LH	1	
29	07130-0830A-000	BOLT	4	

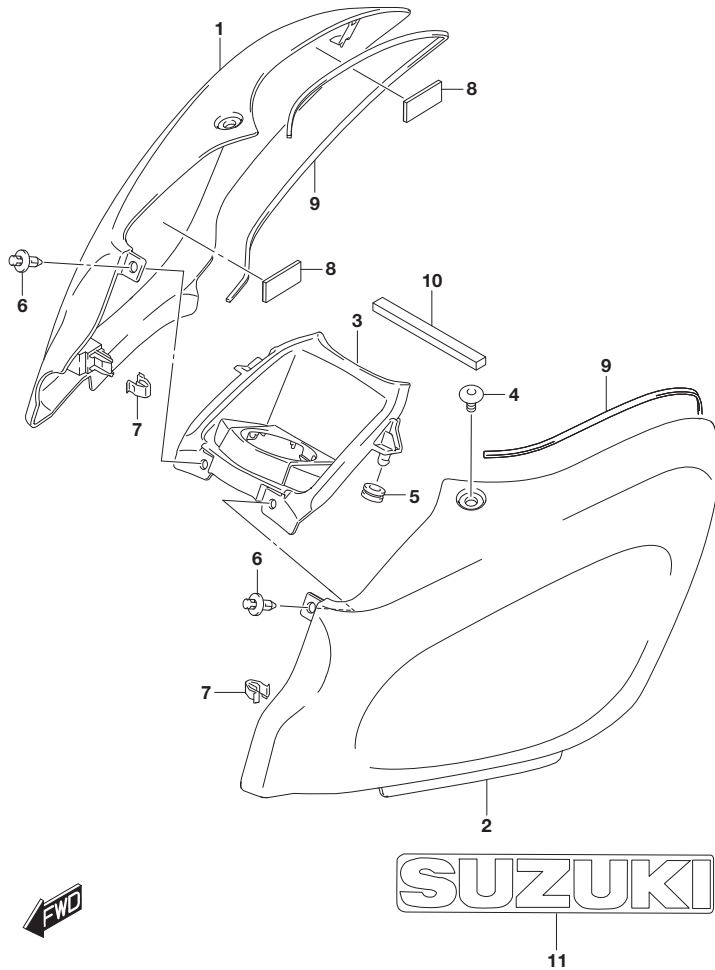
**FIG.420A**



**FIG.420A (1-D-13) FUEL TANK**

REF NO.	PART NO.	DESCRIPTION	Q'TY	REMARKS
1-1	44100-23KK0-YSF	TANK ASSY,FUEL	1	FOR YSF
1-2	44100-23KK0-YVU	TANK ASSY,FUEL	1	FOR YVU
1-3	44100-23KK0-YMF	TANK ASSY,FUEL	1	FOR BW5
1-4	44100-23KK0-YZE	TANK ASSY,FUEL	1	FOR GTA
2	44283-23K10-000	.PROTECTOR,FUEL TANK	1	
3	44200-23860-000	CAP SET, FUEL TANK	1	
4	44244-23K00-000	BOLT, FUEL TANK FILLER CAP	3	
5	01550-0625A-000	BOLT	2	
6	09160-06012-000	WASHER	2	
7	44511-16G01-000	CUSHION, FUEL TANK FRONT	2	
8	44512-16G00-000	SPACER, FUEL TANK FRONT	2	
9	44542-48H01-000	CUSHION, FUEL TANK REAR BRKT	1	
10	01550-0635A-000	BOLT	2	
11	44146-48H00-000	WASHER, FUEL TANK REAR BRKT	1	
12	44541-23K00-000	CUSHION, FUEL TANK RR UPPER	2	
13	44544-05J00-000	SPACER, FUEL TANK REAR	2	
14	44542-23K10-000	CUSHION, FUEL TANK REAR LOWER	1	
15	44542-23K00-000	CUSHION, FUEL TANK SIDE	2	
16	44179-23K00-000	BRACKET, FUEL TANK COVER RH	1	
17	44189-23K00-000	BRACKET, FUEL TANK COVER LH	1	
18	02142-0610A-000	SCREW	2	
19	44572-23KA0-000	FASTENER	4	
20	44183-23K00-000	CUSHION, FUEL TANK SIDE COVER	2	
21	44294-23K00-000	CUSHION, FUEL TANK COVER REAR	2	
22	94478-14J00-000	CUSHION, FUEL TANK LOWER FR	2	
23	94478-14J00-000	CUSHION, FUEL TANK LOWER RR	2	
24	09352-12163-010	HOSE,BRTHR CLAMP	1	
25	44424-23K30-000	HOSE,FUEL TANK BRTHR NO.1	1	
26	44424-23K40-000	HOSE,FUEL TANK BRTHR NO.2	1	
27	44423-23K10-000	HOSE,FUEL TANK WATER DRAIN	1	
28	09367-06007-000	3 WAY	1	
29	44424-23K50-000	HOSE,FUEL TANK BRTHR NO.3	1	

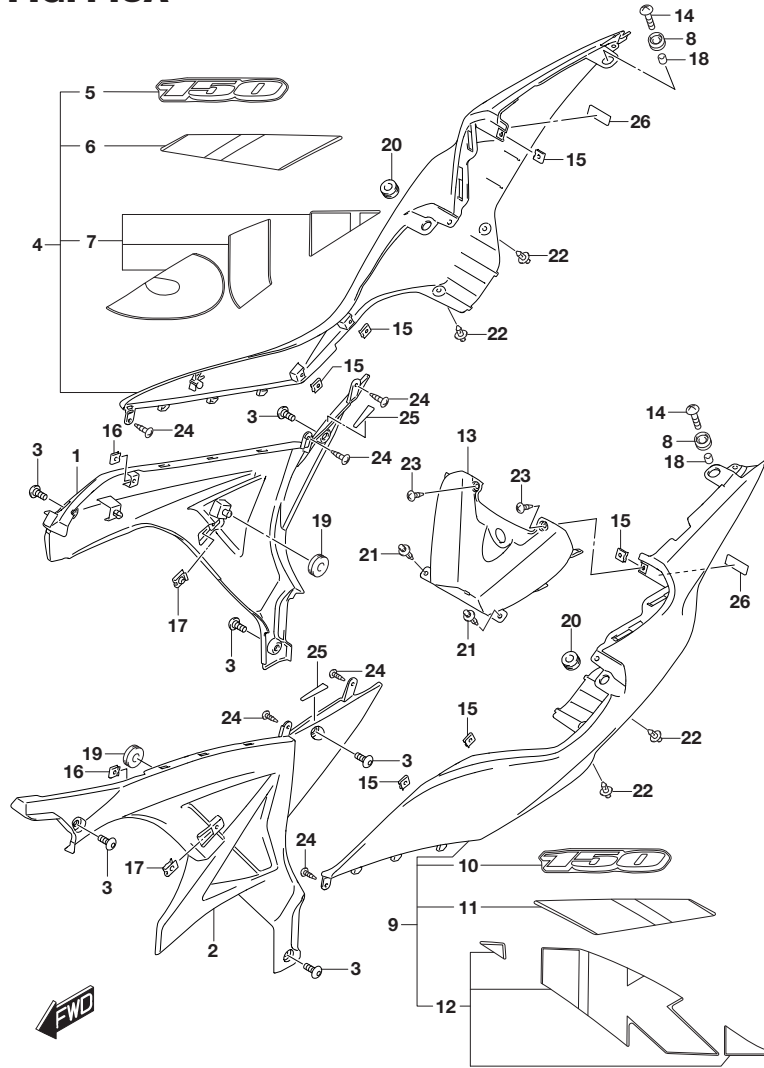
**FIG.423A**



**FIG.423A (1-D-14) FUEL TANK COVER**

REF NO.	PART NO.	DESCRIPTION	Q'TY	REMARKS
1-1	44292-23K00-YSF	COVER,FUEL TANK,R	1	FOR YSF
1-2	44292-23K00-YVU	COVER,FUEL TANK,R	1	FOR YVU
1-3	44292-23K00-YMF	COVER,FUEL TANK,R	1	FOR BW5
1-4	44292-23K00-YZE	COVER,FUEL TANK,R	1	FOR GTA
2-1	44293-23K00-YSF	COVER,FUEL TANK,L	1	FOR YSF
2-2	44293-23K00-YVU	COVER,FUEL TANK,L	1	FOR YVU
2-3	44293-23K00-YMF	COVER,FUEL TANK,L	1	FOR BW5
2-4	44293-23K00-YZE	COVER,FUEL TANK,L	1	FOR GTA
3	44291-23K10-000	COVER, FUEL TANK CENTER	1	
4	44295-23K00-000	SCREW, FUEL TANK COVER	2	
5	09320-06027-000	CUSHION	2	
6	09409-06341-000	CLIP	2	
7	09409-08326-000	CLIP	2	
8	44572-23KA0-000	FASTENER	4	
9	44277-23K00-000	CUSHION, FUEL TANK SIDE COVER	2	
10	47321-23K00-000	CUSHION,FUEL TANK COVER CTR	1	
11-1	68182-12K20-BHB	TAPE,"SUZUKI"	2	FOR YSF
11-2	68182-12K20-B53	TAPE,"SUZUKI"	2	FOR YVU
11-3	68182-12K20-BW5	TAPE,"SUZUKI"	2	FOR BW5
11-4	68182-12K20-GTA	TAPE,"SUZUKI"	2	FOR GTA

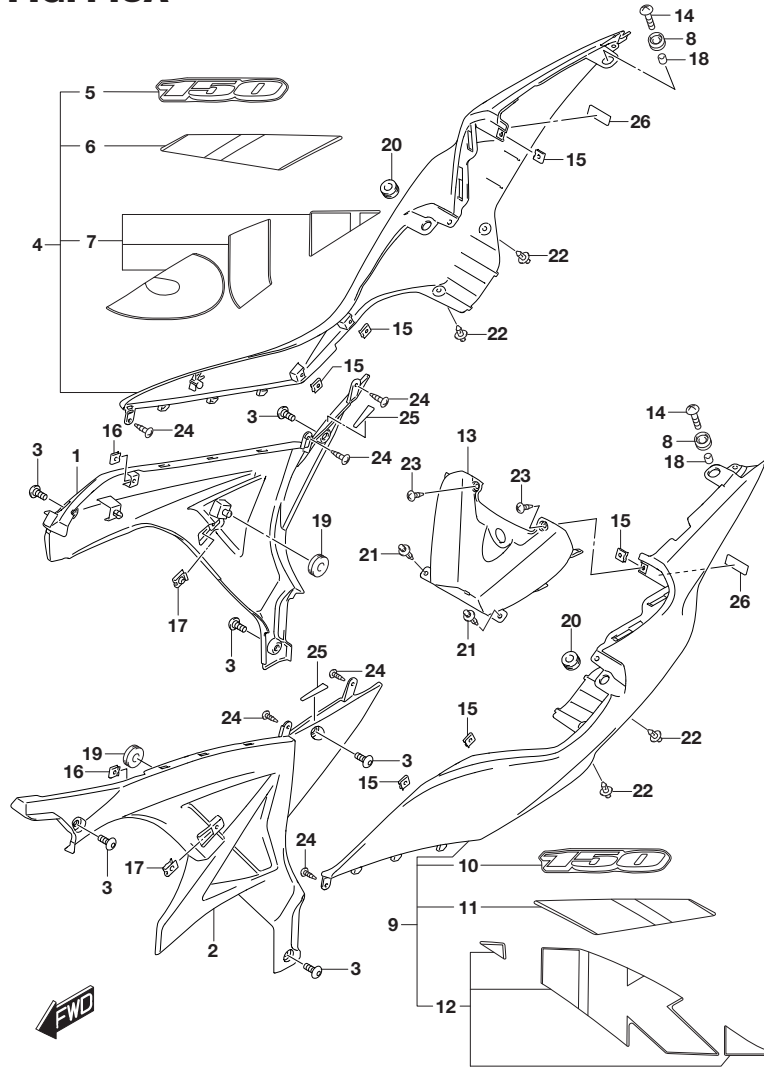
**FIG.445A**



**FIG.445A (1-D-15) FRAME COVER**

REF NO.	PART NO.	DESCRIPTION	Q'TY	REMARKS
1	47111-23K00-291	COVER, FRAME RH (BLACK)	1	
2	47211-23K00-291	COVER, FRAME LH (BLACK)	1	
3	44513-23K00-000	SCREW, FRAME COVER	6	
4-1	47310-23KK0-YSF	COVER, FRAME UPPER RH (BLUE)	1	FOR YSF
4-2	47310-23KK0-YVU	COVER, FRAME UPPER RH (BLACK)	1	FOR YVU
4-3	47310-23KK0-6PX	COVER, FRAME UPPER RH	1	FOR BW5
4-4	47310-23KK0-40X	COVER, FRAME UPPER RH	1	FOR GTA
5-1	68131-23K40-BQW	.EMBLEM, "150"	1	FOR YSF
5-2	68131-23K40-BJJ	.EMBLEM, "150"	1	FOR YVU,6PX,40X
6-1	68135-23KK0-YSF	.TAPE, FRAME COVER UPR NO.1,R	1	
6-2	68135-23KK0-YVU	.TAPE, FRAME COVER UPR NO.1,R	1	
6-3	68135-23KK0-BW5	.TAPE, FRAME COVER UPR NO.1,R	1	
6-4	68135-23KK0-GTA	.TAPE, FRAME COVER UPR NO.1,R	1	
7-1	68136-23K40-YSF	.TAPE, FRAME COVER UPR NO.2,R	1	FOR YSF
7-2	68136-23K40-BST	.TAPE, FRAME COVER UPR NO.2,R	1	FOR YVU,6PX,40X
8	47312-37H10-000	CUSHION,FRAME COVER REAR	2	
9-1	47410-23KK0-YSF	COVER,FRAME UPPER LH (BLUE)	1	FOR YSF
9-2	47410-23KK0-YVU	COVER,FRAME UPPER LH (BLACK)	1	FOR YVU
9-3	47410-23KK0-6PX	COVER,FRAME UPPER LH	1	FOR BW5
9-4	47410-23KK0-40X	COVER,FRAME UPPER LH	1	FOR GTA
10-1	68131-23K40-BQW	.EMBLEM, "150"	1	FOR YSF
10-2	68131-23K40-BJJ	.EMBLEM, "150"	1	FOR YVU,6PX,40X
11-1	68145-23KK0-YSF	.TAPE,FRAME COVER UPR NO.1,L	1	FOR YSF
11-2	68145-23KK0-YVU	.TAPE,FRAME COVER UPR NO.1,L	1	FOR YVU
11-3	68145-23KK0-BW5	.TAPE,FRAME COVER UPR NO.1,L	1	FOR 6PX
11-4	68145-23KK0-GTA	.TAPE,FRAME COVER UPR NO.1,L	1	FOR 40X
12-1	68146-23K40-YSF	.TAPE,FRAME COVER UPR NO.2,L	1	FOR YSF
12-2	68146-23K40-BST	.TAPE,FRAME COVER UPR NO.2,L	1	FOR YVU,6PX,40X

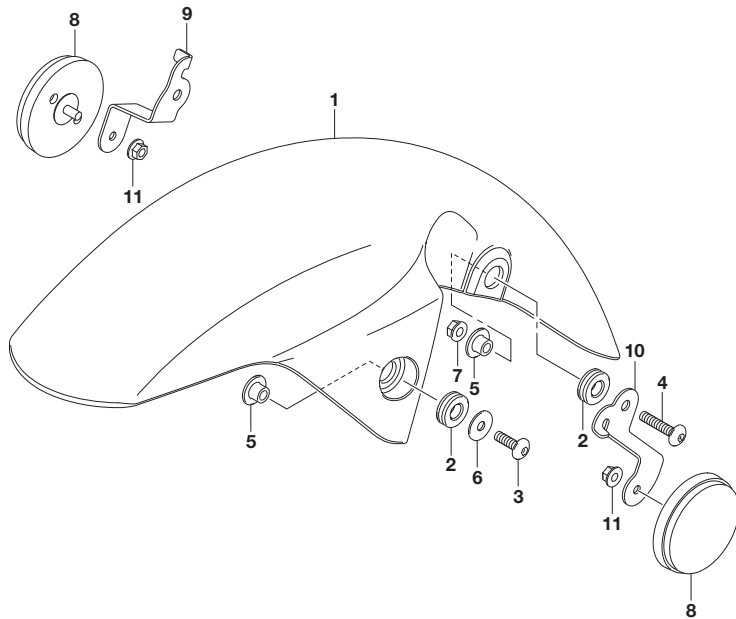
**FIG.445A**



**FIG.445A (1-E-2) FRAME COVER**

REF NO.	PART NO.	DESCRIPTION	Q'TY	REMARKS
13-1	47511-23K00-YSF	COVER, FRAME UPPER CTR (BLUE)	1	FOR YSF
13-2	47511-23K00-YVU	COVER, FRAME UPPER CTR (BLACK)	1	FOR YVU,BW5,GTA
14	09136-06105-000	SCREW	2	
15	09148-04019-000	NUT	6	
16	09148-04019-000	NUT	2	
17	09148-05058-000	NUT	2	
18	09180-06283-000	SPACER	2	
19	09320-08018-000	CUSHION	2	
20	09320-09016-000	CUSHION	2	
21	09409-06341-000	CLIP	2	
22	09409-06341-000	CLIP	4	
23	03541-0412A-000	SCREW	2	
24	03541-0412A-000	SCREW	6	
25	47112-23K00-000	TAPE, FRAME COVER	2	
26	47117-10J00-000	CUSHION, FRAME COVER	2	

**FIG.460A**

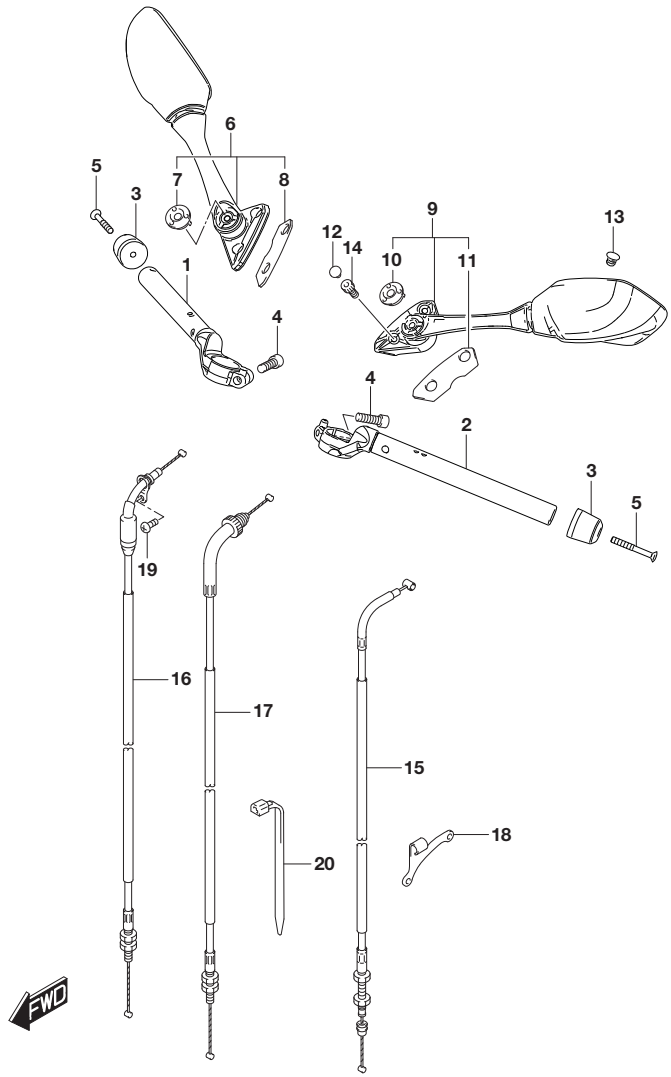


**FIG.460A (1-E-3) FRONT FENDER**

REF NO.	PART NO.	DESCRIPTION	Q'TY	REMARKS
1-1	53111-23K00-YSF	FENDER,FRONT	1	FOR YSF
1-2	53111-23K00-YVU	FENDER,FRONT	1	FOR YVU,BW5,GTA
2	47161-23J00-000	CHUSION, FRONT FENDER	4	
3	53121-23K00-000	SCREW, FRONT FENDER FR	2	
4	53122-23K00-000	SCREW, FRONT FENDER RR	2	
5	53275-34J00-000	SPACER, FRONT FENDER	4	
6	09160-06060-000	WASHER	4	
7	08316-1006A-000	NUT	2	
8	35950-22J10-000	REFLECTOR ASSY, FRONT SIDE	2	
9	35956-23K00-000	BRACKET, FRONT SIDE RR RH	1	
10	35957-23K00-000	BRACKET, FRONT SIDE RR LH	1	
11	08316-1005A-000	NUT	2	



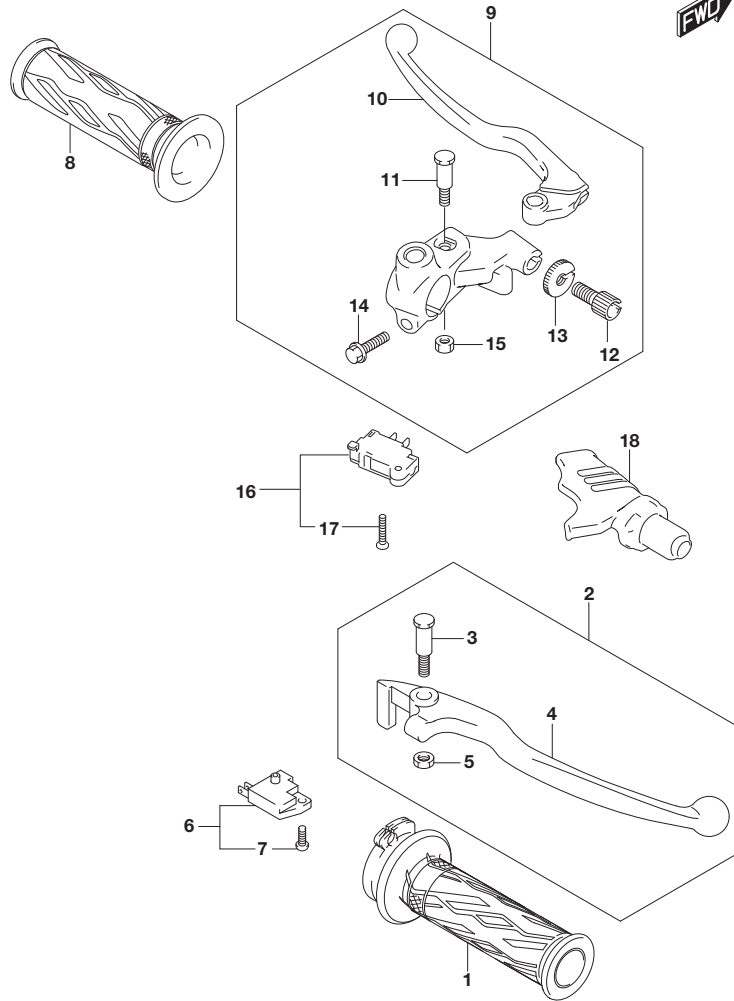
**FIG.462A**



**FIG.462A (1-E-4) HANDLEBAR**

REF NO.	PART NO.	DESCRIPTION	Q'TY	REMARKS
1	56110-23K20-000	BAR, HANDLE RH	1	
2	56150-23K20-000	BAR, HANDLE LH	1	
3	56278-32J10-000	BALANCER, HANDLEBAR	2	
4	09106-08185-000	BOLT (8X32)	2	
5	09127-06025-000	SCREW (6X50)	2	
6	56500-17K10-000	MIRROR ASSY, REAR VIEW RH	1	
7	56515-17K00-000	.CAP,MIRROR	1	
8	56525-17K00-000	.CUSHION,MIRROR	1	
9	56600-17K10-000	MIRROR ASSY, REAR VIEW LH	1	
10	56515-17K00-000	.CAP,MIRROR	1	
11	56525-17K00-000	.CUSHION,MIRROR	1	
12	09250-05009-000	CAP	4	
13	56524-23K10-000	CAP	2	
14	07130-0616B-000	BOLT	4	
15	58200-23K20-000	CABLE ASSY, CLUTCH	1	
16	58300-23K21-000	CABLE ASSY, THROTTLE NO.1	1	
17	58300-23K31-000	CABLE ASSY, THROTTLE NO.2	1	
18	58634-12K00-000	STOPPER, CLUTCH CABLE	1	
19	02112-0512A-000	SCREW	1	
20	09407-14403-000	CLAMP (L:125)	1	

**FIG.467A**



**FIG.467A (1-E-5) HANDLE LEVER**

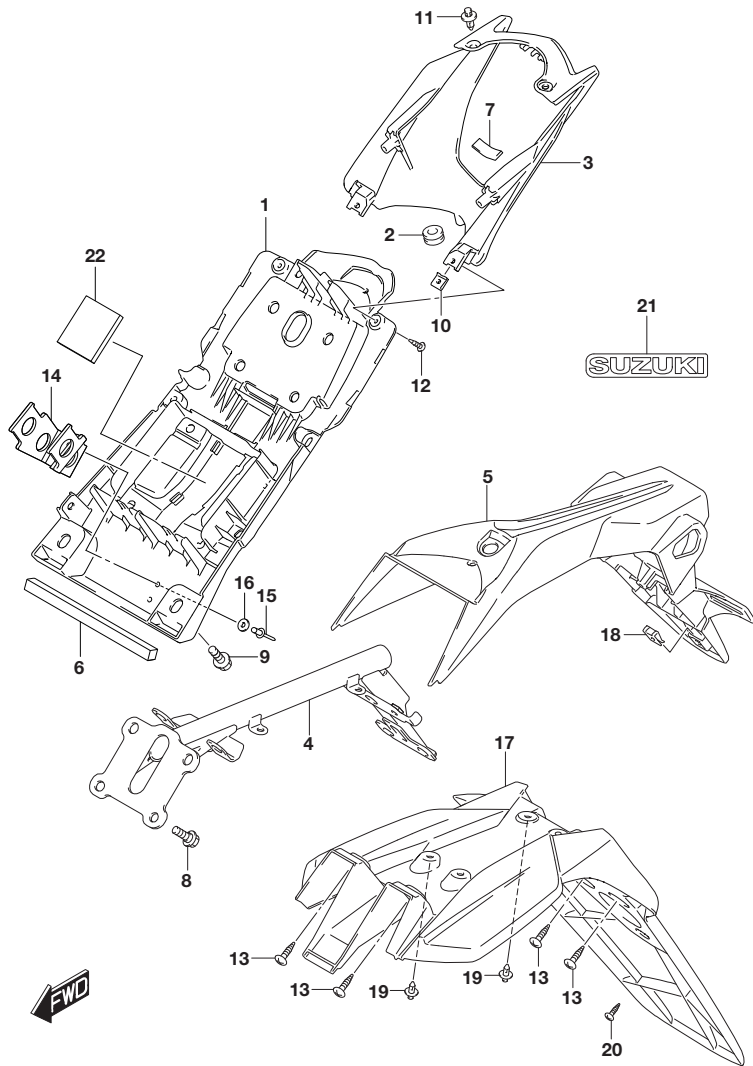
REF NO.	PART NO.	DESCRIPTION	Q'TY	REMARKS
1	57110-23K01-000	GRIP, THROTTLE	1	
2	57300-30H21-000	LEVER ASSY, BRAKE	1	
3	57431-30H20-000	.BOLT	1	
4	57421-30H10-000	.LEVER, BRAKE	1	
5	57433-30H10-000	.NUT	1	
6	57460-30H00-000	SWITCH ASSY, STOP	1	
7	57465-30H00-000	.SCREW	1	
8	57211-40J01-000	GRIP, LH	1	
9	57500-23K00-000	LEVER ASSY, CLUTCH	1	
10	57621-23K00-000	.LEVER, CLUTCH	1	
11	57431-23F20-000	.BOLT, LEVER SET	1	
12	57441-25G00-000	.ADJUSTER, WIRE	1	
13	57442-25G00-000	.NUT, LOCK	1	
14	01547-0625B-000	.BOLT	1	
15	08319-2106A-000	.NUT	1	
16	57560-41G20-000	SWITCH, CLUTCH	1	
17	57562-41G21-000	SCREW, CLUTCH SWITCH	1	
18	57661-23K00-000	COVER, CLUTCH LEVER	1	



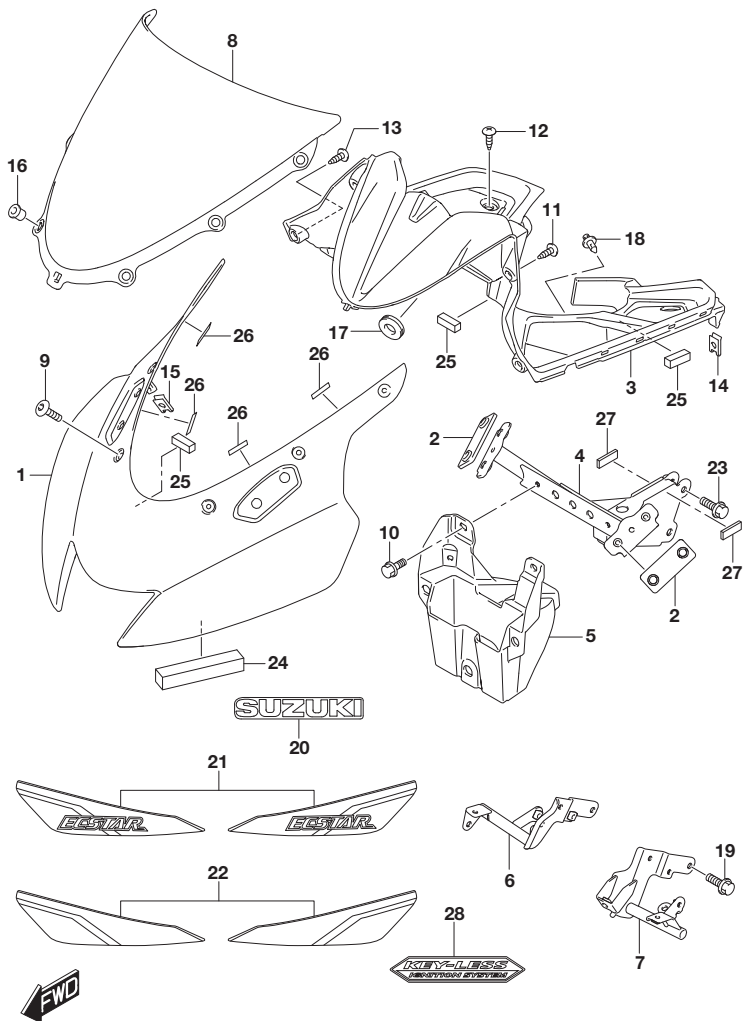
**FIG.474A**

**FIG.474A (1-E-6) REAR FENDER**

REF NO.	PART NO.	DESCRIPTION	Q'TY	REMARKS
1	63111-23K00-000	FENDER, REAR FRONT	1	
2	48278-16H10-000	CUSHION, REAR FENDER FR COV	1	
3	63121-23K00-000	COVER, REAR FENDER FRONT	1	
4	63130-23K00-000	BRACE, REAR FENDER	1	
5	63141-23K00-000	FENDER, REAR REAR	1	
6	63151-23K00-000	CUSHION, REAR FENDER FRONT	1	
7	63152-23K00-000	CUSHION, REAR FENDER FR COV LW	1	
8	09111-06072-000	BOLT (6X17.8)	4	
9	09111-06102-000	BOLT (6X14.8)	2	
10	09148-04019-000	NUT	2	
11	09409-06341-000	CLIP	2	
12	03541-0412B-000	SCREW	2	
13	03541-0616A-000	SCREW	4	
14	63112-23K00-000	BRACKET, REAR FENDER FRONT	1	
15	09229-03020-000	RIVET	2	
16	63113-23K00-000	WASHER, REAR FENDER FR BRKT	2	
17	63311-23K00-000	EXTENSION, REAR FENDER	1	
18	09148-05080-000	NUT	1	
19	09409-06341-000	CLIP	4	
20	03541-0512A-000	SCREW	1	
21	68171-23K20-000	EMBLEM, "SUZUKI"	1	
22	63153-23K00-000	CUSHION	1	



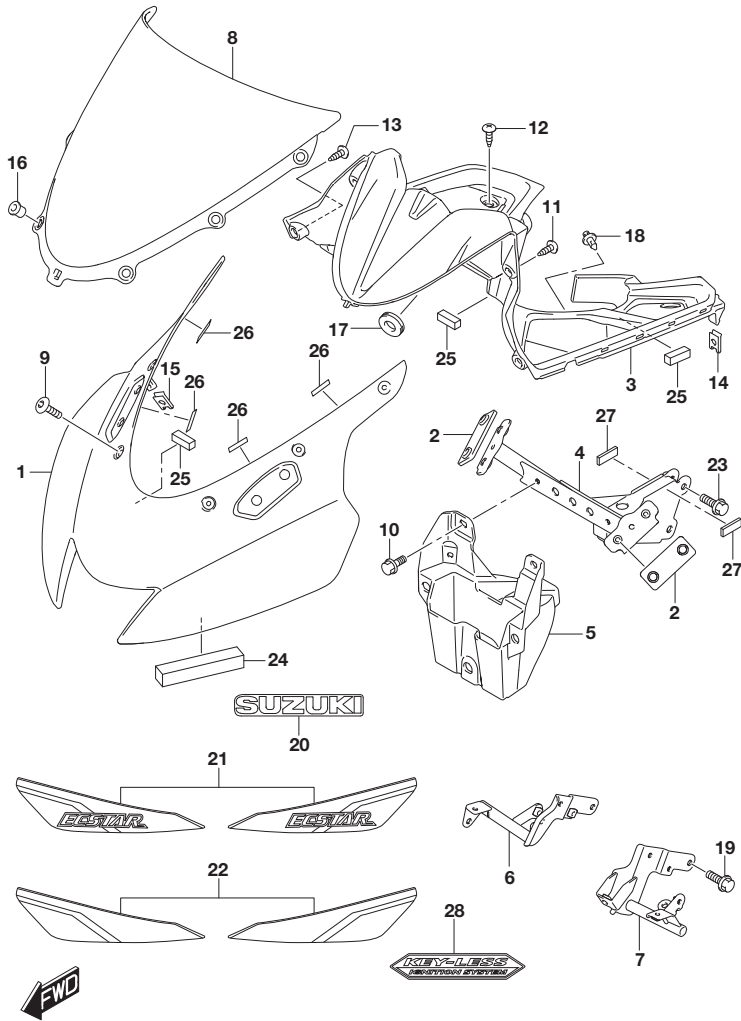
# FIG.481A



# FIG.481A (1-E-7) COWLING BODY

REF NO.	PART NO.	DESCRIPTION	Q'TY	REMARKS
1-1	94411-23K00-YSF	COWLING,BODY	1	FOR YSF
1-2	94411-23K00-YVU	COWLING,BODY	1	FOR YVU
1-3	94411-23K00-YMF	COWLING,BODY	1	FOR BW5
1-4	94411-23K00-YZE	COWLING,BODY	1	FOR GTA
2	94412-23K00-000	CUSHION, MIRROR BRACKET	2	
3	94421-23K00-000	PANEL, METER	1	
4	94510-23K00-000	BRACE, COWLING	1	
5	94511-23K00-000	BRACE, COWLING LOWER	1	
6	94540-23K00-000	BRACKET, SIDE COWL UPR RH	1	
7	94550-23K00-000	BRACKET, SIDE COWL UPR LH	1	
8	94611-23K00-000	WINDSCREEN	1	
9	94621-23K00-000	SCREW, WINDSCREEN	6	
10	09111-06107-000	BOLT	3	
11	09139-05503-000	SCREW (5X13)	2	
12	09139-05503-000	SCREW (5X13)	2	
13	09139-05504-000	SCREW (5X18)	2	
14	09148-04019-000	NUT	2	
15	09148-05058-000	NUT	2	
16	94618-34J01-000	NUT, WINDSCREEN	6	
17	09320-08018-000	CUSHION	1	
18	09409-06341-000	CLIP	4	
19	01550-0612A-000	BOLT	4	
20-1	68151-23K40-BHB	EMBLEM, "SUZUKI"	1	FOR YSF
20-2	68151-23K40-B53	EMBLEM, "SUZUKI"	1	FOR YVU
20-3	68151-23K40-BW5	EMBLEM, "SUZUKI"	1	FOR BW5
20-4	68151-23K40-GTA	EMBLEM, "SUZUKI"	1	FOR GTA

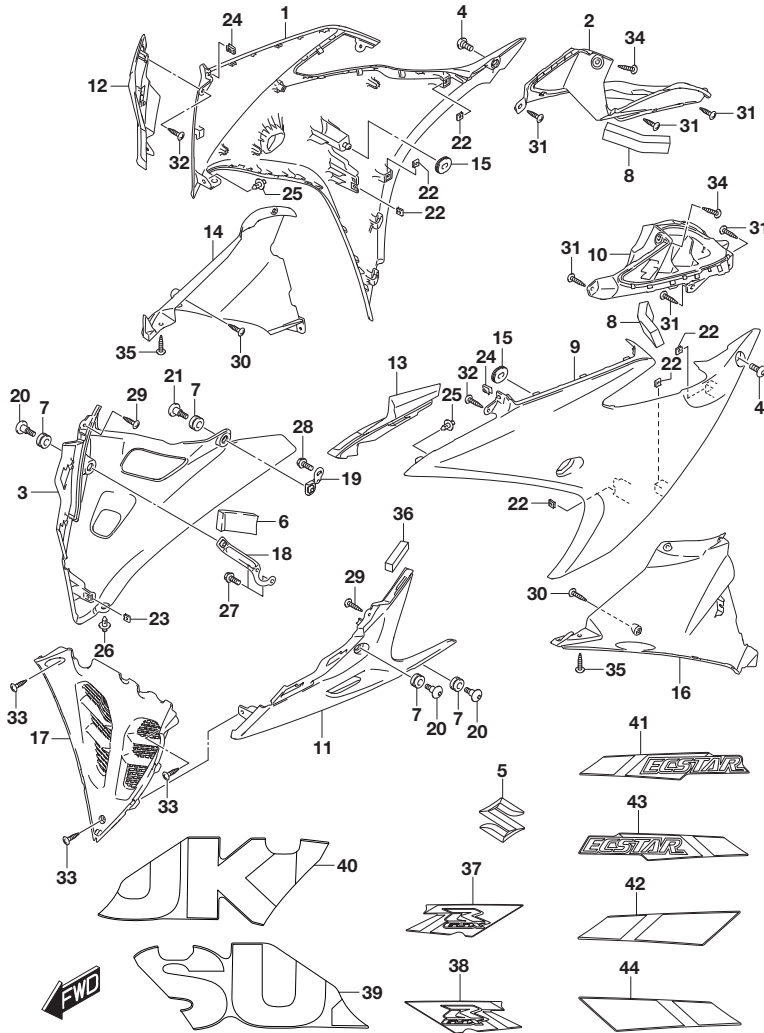
# FIG.481A



# FIG.481A (1-E-8) COWLING BODY

REF NO.	PART NO.	DESCRIPTION	Q'TY	REMARKS
21	68280-23K80-YSF	TAPE SET, BODY COWL	1	FOR YSF
22-1	68280-23K70-YVU	TAPE SET, BODY COWL	1	
22-2	68280-23K70-BW5	TAPE SET, BODY COWL	1	
22-3	68280-23K70-GTA	TAPE SET, BODY COWL	1	
23	01550-0830B-000	BOLT	2	
24	94413-23K00-000	CUSHION, BODY COWL	2	
25	94414-23K00-000	CUSHION, METER PANEL	5	
26	94415-23K00-000	TAPE, BODY COWLING	4	
27	47117-10J00-000	CUSHION, FRAME COVER	2	
28	68184-23K00-000	EMBLEM, "KEYLESS"	1	

**FIG.485A**



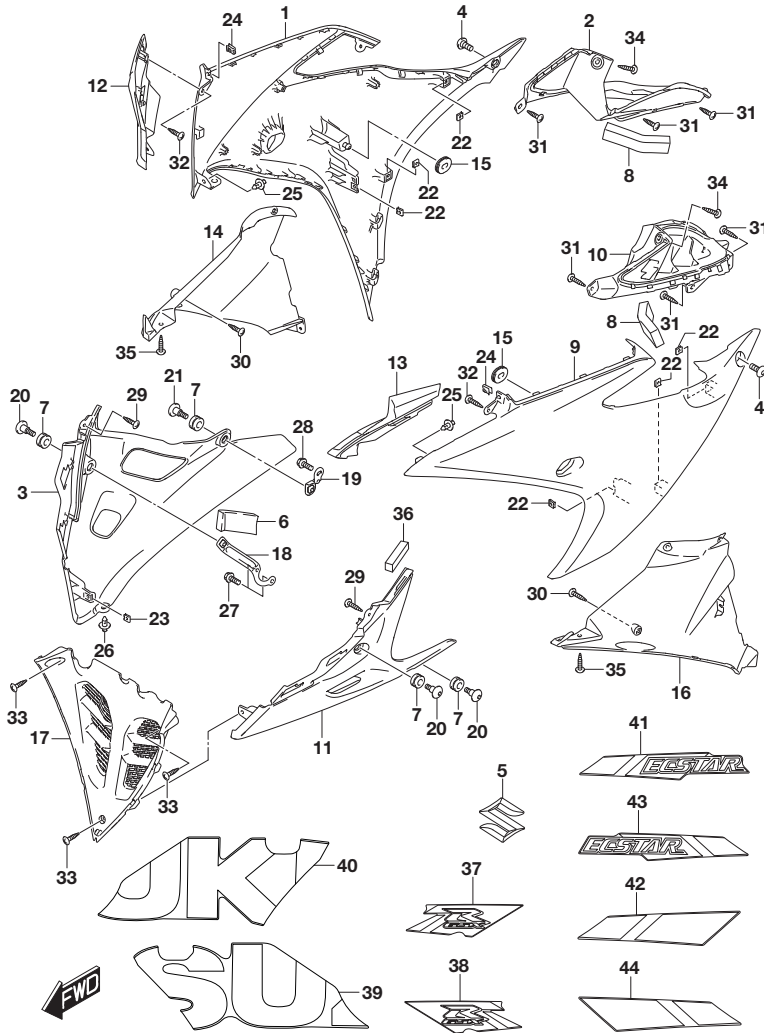
GSX-R150RFXM1\_P08\_485A  
SIDE COWLING

**FIG.485A (1-E-9) SIDE COWLING**

REF NO.	PART NO.	DESCRIPTION	Q'TY	REMARKS
1-1	94431-23K00-YSF	COWLING, SIDE UPPER RH (BLUE)	1	FOR YSF
1-2	94431-23K00-YVU	COWLING, SIDE UPPER RH (BLACK)	1	FOR YVU,BW5,GTA
2	94432-23K00-000	COWLING, SIDE MIDDLE RH	1	
3-1	94433-23K00-YSF	COWLING, SIDE LOWER, R	1	FOR YSF
3-2	94433-23K00-YVU	COWLING, SIDE LOWER, R	1	FOR YVU
3-3	94433-23K00-YMF	COWLING, SIDE LOWER, R	1	FOR BW5
3-4	94433-23K00-YZE	COWLING, SIDE LOWER, R	1	FOR GTA
4	44513-23K00-000	SCREW, SIDE COWLING UPPER	2	
5	68641-23K10-000	EMBLEM, "S"	2	
6	94434-23K00-000	CUSHION, SIDE COWLING LOWER IN	1	
7	94436-23K00-000	CUSHION, SIDE COWLING LOWER	4	
8	94437-23K00-000	CUSHION, SIDE COWLING MIDDLE	2	
9-1	94441-23K00-YSF	COWLING, SIDE UPPER, L	1	FOR YSF
9-2	94441-23K00-YVU	COWLING, SIDE UPPER, L	1	FOR YVU,BW5,GTA
10	94442-23K00-000	COWLING, SIDE MIDDLE LH	1	
11-1	94443-23K00-YSF	COWLING, SIDE LOWER, L	1	FOR YSF
11-2	94443-23K00-YVU	COWLING, SIDE LOWER, L	1	FOR YVU
11-3	94443-23K00-YMF	COWLING, SIDE LOWER, L	1	FOR BW5
11-4	94443-23K00-YZE	COWLING, SIDE LOWER, L	1	FOR GTA
12	94451-23K00-000	COVER, INTAKE RH	1	
13	94461-23K00-000	COVER, INTAKE LH	1	
14	94471-23K00-000	COWLING, INNER FR RH	1	
15	94478-14J00-000	CUSHION, SIDE COWLING UPPER	2	
16	94481-23K00-000	COWLING, INNER FR LH	1	
17	94494-23K00-000	COWLING, LOWER CENTER	1	
18	94560-23K00-000	BRACKET, SIDE COWL LWR FR	1	
19	94570-23K00-000	BRACKET, SIDE COWL LWR RR	1	
20	09139-06190-000	SCREW (6X20)	3	
21	09139-06190-000	SCREW (6X20)	1	
22	09148-04019-000	NUT	6	
23	09148-04019-000	NUT	1	
24	09148-05058-000	NUT	2	

GSX-R150RFXM1\_P08

**FIG.485A**



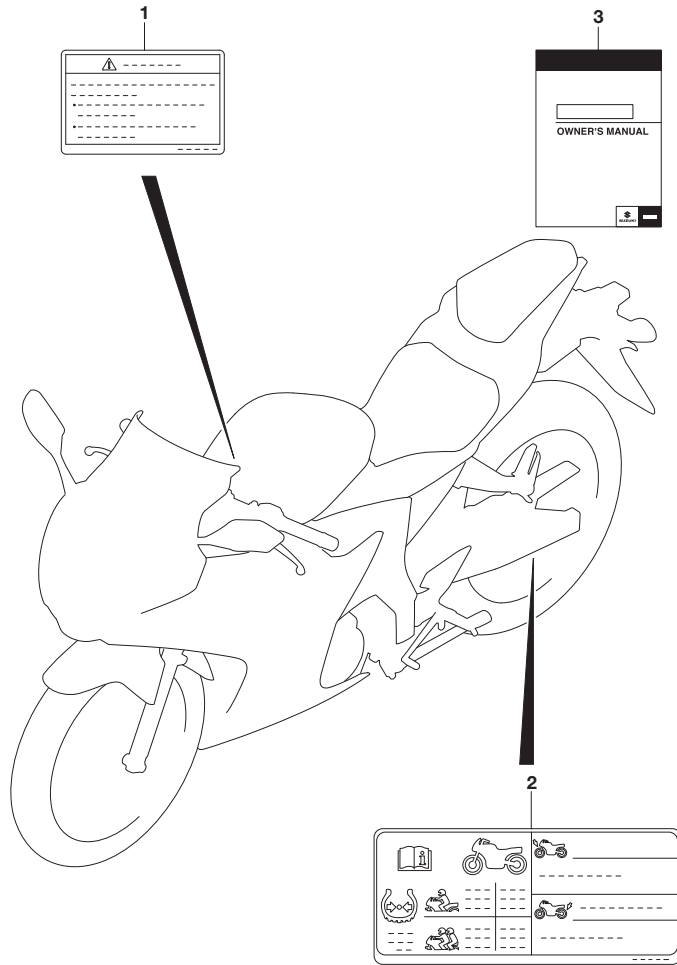
GSX-R150RFXM1\_P08\_485A  
SIDE COWLING

**FIG.485A (1-E-10) SIDE COWLING**

REF NO.	PART NO.	DESCRIPTION	Q'TY	REMARKS
25	09409-06341-000	CLIP	2	
26	09409-06341-000	CLIP	1	
27	01550-0612A-000	BOLT	2	
28	01550-0612B-000	BOLT	1	
29	03541-0412A-000	SCREW	2	
30	03541-0412B-000	SCREW	2	
31	03541-0416A-000	SCREW	6	
32	03541-0416A-000	SCREW	2	
33	03541-0416B-000	SCREW	3	
34	03541-0416B-000	SCREW	2	
35	03541-0516A-000	SCREW	2	
36	94414-23K00-000	CUSHION	1	
37-1	68185-23KC0-YSF	TAPE,SIDE COWL UPR NO.3,R	1	
37-2	68185-23KC0-YVU	TAPE,SIDE COWL UPR NO.3,R	1	
37-3	68185-23KC0-BW5	TAPE,SIDE COWL UPR NO.3,R	1	
37-4	68185-23KC0-GTA	TAPE,SIDE COWL UPR NO.3,R	1	
38-1	68195-23KC0-YSF	TAPE,SIDE COWL UPR NO.3,L	1	
38-2	68195-23KC0-YVU	TAPE,SIDE COWL UPR NO.3,L	1	
38-3	68195-23KC0-BW5	TAPE,SIDE COWL UPR NO.3,L	1	
38-4	68195-23KC0-GTA	TAPE,SIDE COWL UPR NO.3,L	1	
39-1	68193-23K30-YSF	TAPE,SIDE COWLING UPPER NO.2,L	1	FOR YSF
39-2	68193-23K30-BST	TAPE,SIDE COWLING UPPER NO.2,L	1	FOR YVU,BW5,GTA
40-1	68183-23K30-YSF	TAPE,SIDE COWLING UPPER NO.2,R	1	FOR YSF
40-2	68183-23K30-BST	TAPE,SIDE COWLING UPPER NO.2,R	1	FOR YVU,BW5,GTA
41	68185-23KA0-YSF	TAPE,SIDE COWL UPR NO.1,R	1	FOR YSF
42-1	68185-23K90-YVU	TAPE,SIDE COWL UPR NO.1,R	1	FOR YVU
42-2	68185-23K90-BW5	TAPE,SIDE COWL UPR NO.1,R	1	FOR BW5
42-3	68185-23K90-GTA	TAPE,SIDE COWL UPR NO.1,R	1	FOR GTA
43	68195-23KA0-YSF	TAPE,SIDE COWL UPR NO.1,L	1	FOR YSF
44-1	68195-23K90-YVU	TAPE,SIDE COWL UPR NO.1,L	1	FOR YVU
44-2	68195-23K90-BW5	TAPE,SIDE COWL UPR NO.1,L	1	FOR BW5
44-3	68195-23K90-GTA	TAPE,SIDE COWL UPR NO.1,L	1	FOR GTA

GSX-R150RFXM1\_P08

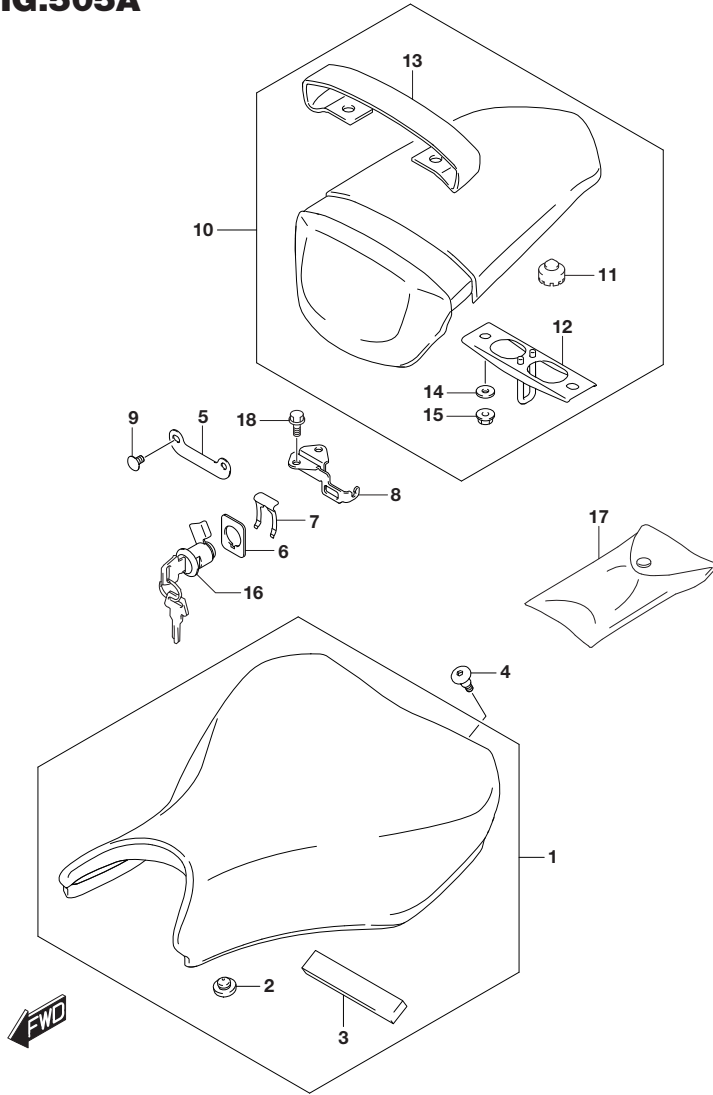
**FIG.496A**



**FIG.496A (1-E-11) LABEL**

REF NO.	PART NO.	DESCRIPTION	Q'TY	REMARKS
1	68319-40J00-000	LABEL, GENERAL WARNING	1	
2	68332-23KD0-000	LABEL, TIRE INFORMATION	1	
3	99011-23K53-08A	MANUAL, OWNER'S	1	

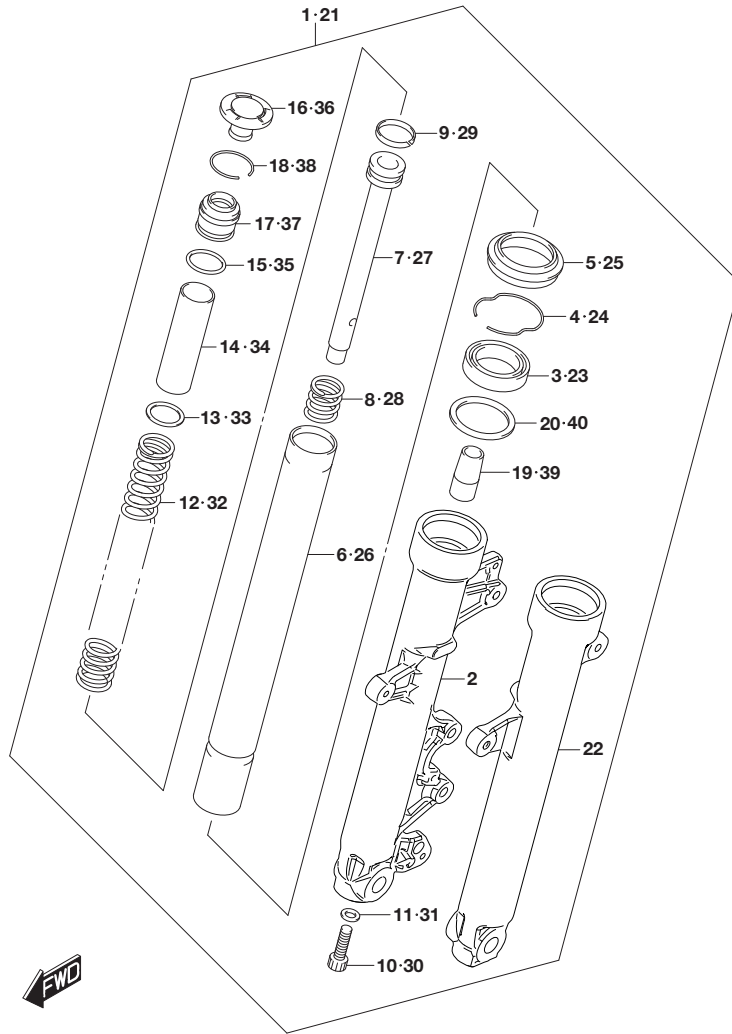
# FIG.505A



## FIG.505A (1-E-12) SEAT

REF NO.	PART NO.	DESCRIPTION	Q'TY	REMARKS
1	45100-23K00-PRQ	SEAT ASSY (BLACK)	1	
2	45148-23J00-000	.CUSHION, SEAT MOUNT	4	
3	45149-23K00-000	.CUSHION, BATTERY	1	
4	45241-23K00-000	BOLT, SEAT	2	
5	45289-23K10-000	GUARD, SEAT LOCK	1	
6	45288-12K00-000	GUIDE, SEAT LOCK CABLE	1	
7	45289-11F00-000	PLATE, SEAT LOCK ASSY	1	
8	45220-04K30-000	BRACKET, STRIKER SUPPORT	1	
9	02142-0610A-000	SCREW	2	
10	45300-23K01-PRQ	SEAT ASSY, PILLION (BLACK)	1	
11	45148-20G80-000	.CUSHION, SEAT MOUNT	2	
12	45290-23K00-000	.STRIKER, SEAT LOCK	1	
13	45380-23K01-PRQ	.BAND, PILLION SEAT GRIP(BLACK)	1	
14	09160-06012-000	.WASHER	2	
15	08316-1006A-000	.NUT	2	
16	95700-14F80-000	LOCK ASSY, SEAT	1	
17	96510-23K01-000	TOOL ASSY	1	
18	01550-0612A-000	SCREW	2	

**FIG.521A**

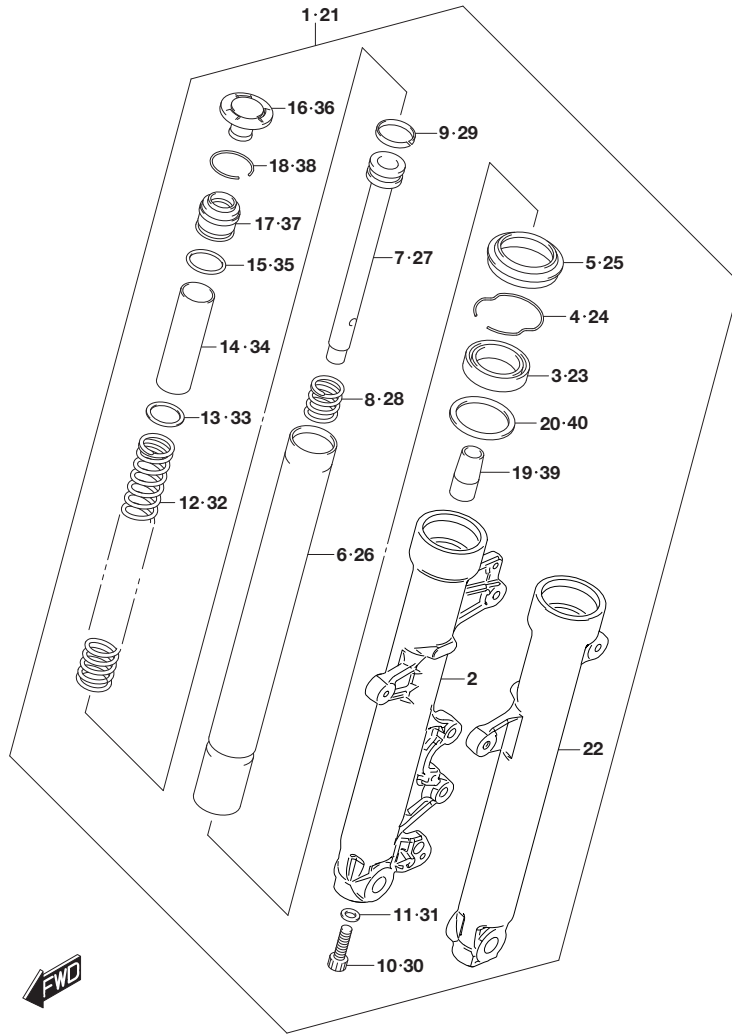


**FIG.521A (1-E-13) FRONT FORK DAMPER**

REF NO.	PART NO.	DESCRIPTION	Q'TY	REMARKS
1	51103-23K00-291	DAMPER ASSY, FRONT FORK RH	1	
2	51131-23K00-291	.TUBE, OUTER RH (BLACK)	1	
3	51153-23K00-000	.OIL SEAL	1	
4	51156-23K00-000	.RING, SNAP	1	
5	51571-23K00-000	.SEAL, DUST	1	
6	51110-23K00-000	.TUBE, INNER	1	
7	51194-23K00-000	.CYLINDER	1	
8	51177-08K00-000	.SPRING, REBOUND	1	
9	51196-08K00-000	.RING	1	
10	51147-31030-000	.BOLT	1	
11	51148-31030-000	.GASKET	1	
12	51171-23K00-000	.SPRING, FRONT	1	
13	51172-36331-000	.JOINT, SPRING	1	
14	51176-23K00-000	.SPACER, SPRING	1	
15	51117-43EC0-000	.O RING	1	
16	51351-23K00-000	.CAP	1	
17	51175-23K00-000	.SEAT, SRRING	1	
18	51169-48500-000	.RING, STOPPER	1	
19	51195-26B00-000	.OIL LOCK PIECE	1	
20	51168-23K00-000	.SPACER, SEAL	1	



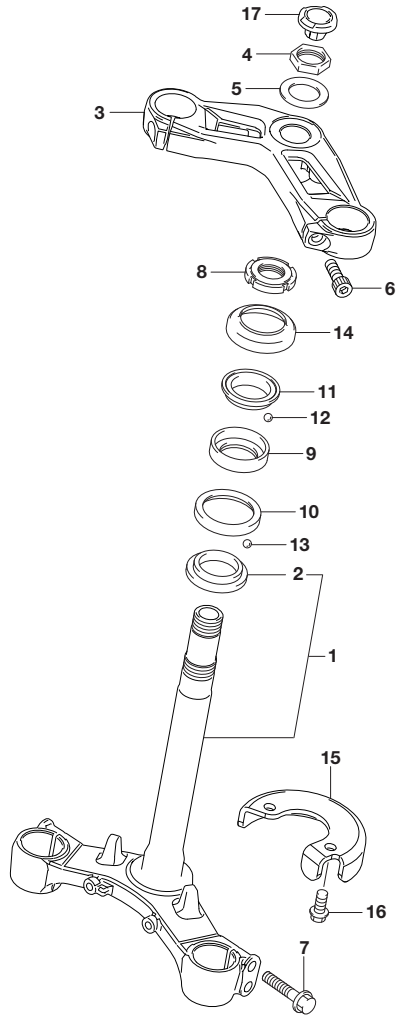
**FIG.521A**



**FIG.521A (1-E-14) FRONT FORK DAMPER**

REF NO.	PART NO.	DESCRIPTION	Q'TY	REMARKS
21	51104-23K00-291	DAMPER ASSY, FRONT FORK LH	1	
22	51141-23K00-291	.TUBE, OUTER LH (BLACK)	1	
23	51153-23K00-000	.OIL SEAL	1	
24	51156-23K00-000	.RING, SNAP	1	
25	51571-23K00-000	.SEAL, DUST	1	
26	51110-23K00-000	.TUBE, INNER	1	
27	51194-23K00-000	.CYLINDER	1	
28	51177-08K00-000	.SPRING, REBOUND	1	
29	51196-08K00-000	.RING	1	
30	51147-31030-000	.BOLT	1	
31	51148-31030-000	.GASKET	1	
32	51171-23K00-000	.SPRING, FRONT	1	
33	51172-36331-000	.JOINT, SPRING	1	
34	51176-23K00-000	.SPACER, SPRING	1	
35	51117-43EC0-000	.O RING	1	
36	51351-23K00-000	.CAP	1	
37	51175-23K00-000	.SEAT, SPRING	1	
38	51169-48500-000	.RING, STOPPER	1	
39	51195-26B00-000	.OIL LOCK PIECE	1	
40	51168-23K00-000	.SPACER, SEAL	1	

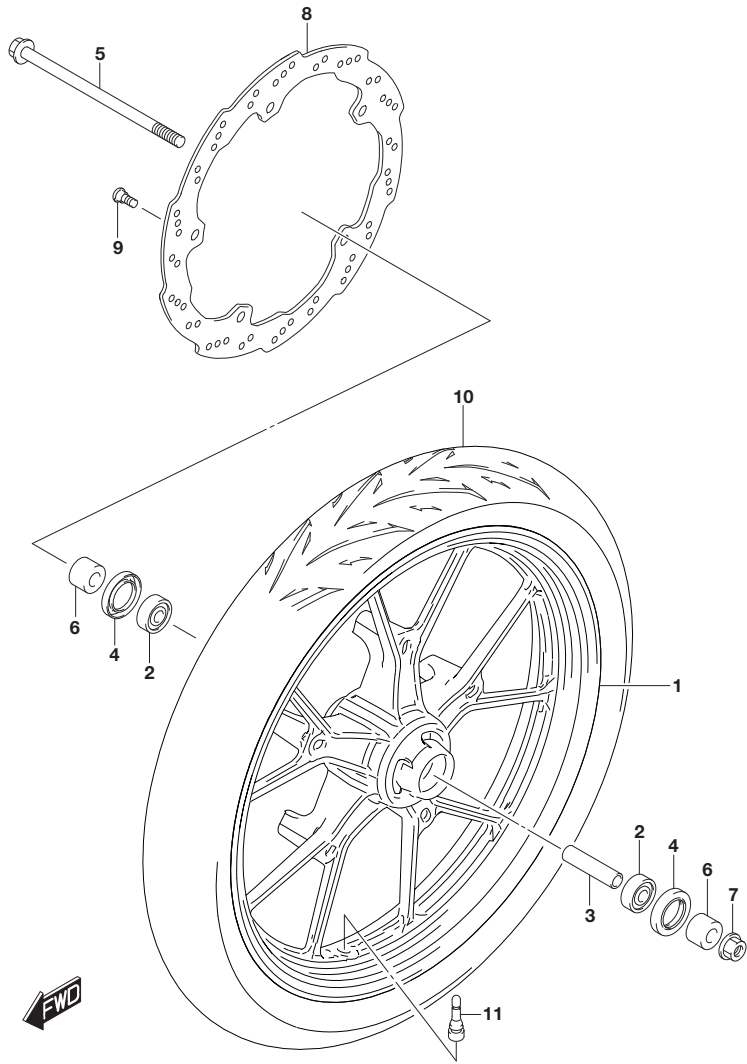
**FIG.524A**



**FIG.524A (1-E-15) STEERING STEM**

REF NO.	PART NO.	DESCRIPTION	Q'TY	REMARKS
1	51410-23K30-000	STEM, STEERING	1	
2	51622-25G00-000	RACE	1	
3	51311-23K10-000	BRACKET, UPPER	1	
4	51353-12K00-000	NUT	1	
5	51354-49G00-000	WASHER	1	
6	51328-23K00-000	BOLT	2	
7	51434-12K00-000	BOLT	4	
8	51631-05000-000	NUT, STEERING STEM	1	
9	51611-41H01-000	RACE, INNER UPPER	1	
10	51612-41H01-000	RACE, INNER LOWER	1	
11	51621-41H00-000	RACE, OUTER UPPER	1	
12	06111-06004-000	BALL	23	UPPER
13	06111-06004-000	BALL	28	LOWER
14	51643-06001-000	DUST SEAL, UPPER	1	
15	51910-23K30-000	PLATE, STEERING LOCK	1	
16	09103-08351-000	SCREW	2	
17	51344-23K00-000	CAP, STEERING STEM	1	

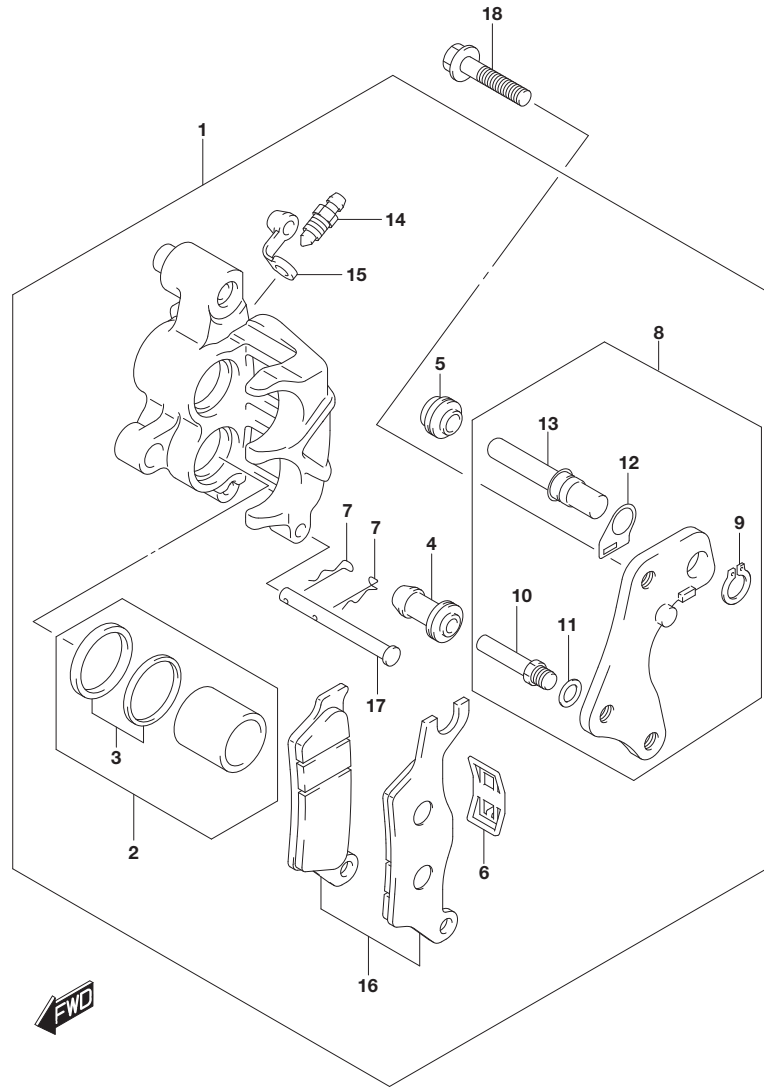
**FIG.530A**



**FIG.530A (1-F-2) FRONT WHEEL**

REF NO.	PART NO.	DESCRIPTION	QTY	REMARKS
1-1	54111-23K00-019	WHEEL, FRONT (17X2.15) (BLACK)	1	FOR YSF,BW5,GTA
1-2	54111-23K00-PZW	WHEEL, FRONT (17X2.15) (RED)	1	FOR YVU
2	08123-6301B-000	BEARING	2	
3	54731-23K00-000	SPACER, FR WHEEL BEARING	1	
4	09285-25008-000	OIL SEAL (25X40X6)	2	
5	54711-23K00-000	AXLE, FRONT	1	
6	54751-25G01-000	SPACER, FRONT AXLE RH	2	
7	08319-3112A-000	NUT	1	
8	59211-25G60-000	DISC, FRONT BRAKE	1	
9	59218-09G10-000	BOLT	5	
10	55110-23K00-000	TIRE, FRONT (90/80-17M/C 46P NR88)	1	
11	43130-40J00-000	VALVE ASSY, WHEEL RIM (TR413)	1	

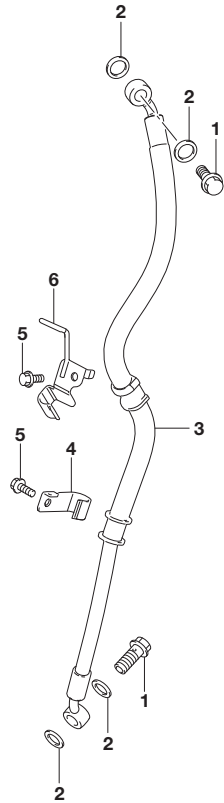
**FIG.535A**



**FIG.535A (1-F-3) FRONT CALIPER**

REF NO.	PART NO.	DESCRIPTION	Q'TY	REMARKS
1	59100-12K10-000	CALIPER ASSY, FRONT RH	1	
2	59100-34870-000	.PISTON SET	1	
3	59100-34860-000	..SEAL SET, PISTON	1	
4	59109-34J00-000	.INSULATOR	1	
5	59108-34J00-000	.DUST COVER	1	
6	59315-34J00-000	.SPRING, PAD	1	
7	59746-34J00-000	.CLIP	2	
8	59351-34J00-000	.BRACKET	1	
9	59665-34J00-000	..CIRCLIP	1	
10	59187-34J00-000	..PIN	1	
11	59188-34J00-000	..SPACER	1	
12	59145-34J00-000	..STOPPER	1	
13	59382-34J00-000	..PIN	1	
14	59121-30H00-000	.SCREW,BLEEDER	1	
15	59122-30H00-000	.CAP,BLEEDER	1	
16	59101-34820-000	.PAD SET	1	
17	59141-34J10-000	.PIN	1	
18	01550-0825A-000	BOLT	2	

**FIG.536A**



**FIG.536A (1-F-4) FRONT BRAKE HOSE**

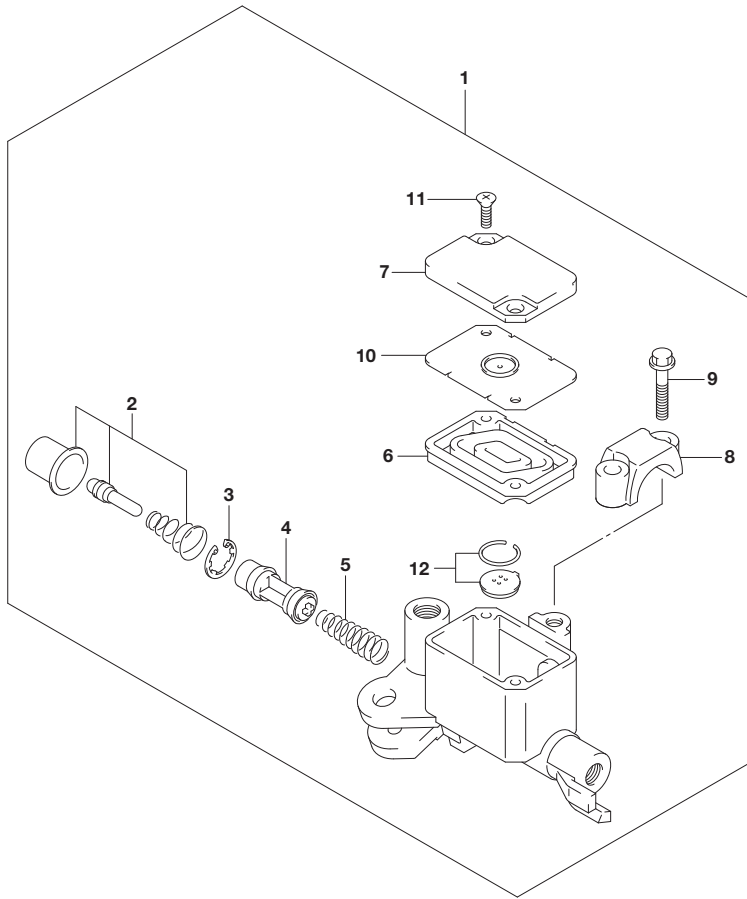
REF NO.	PART NO.	DESCRIPTION	Q'TY	REMARKS
1	59492-30H10-000	BOLT, BRAKE FLUID	2	
2	09161-10009-000	WASHER (10X15X1.5)	4	
3	59480-23K11-000	HOSE, FRONT BRAKE	1	
4	59268-23K00-000	CLAMP, HOSE LOWER	1	
5	01547-0612B-000	BOLT	2	
6	59260-23K00-000	CLAMP, FR BRAKE HOSE UPPER	1	



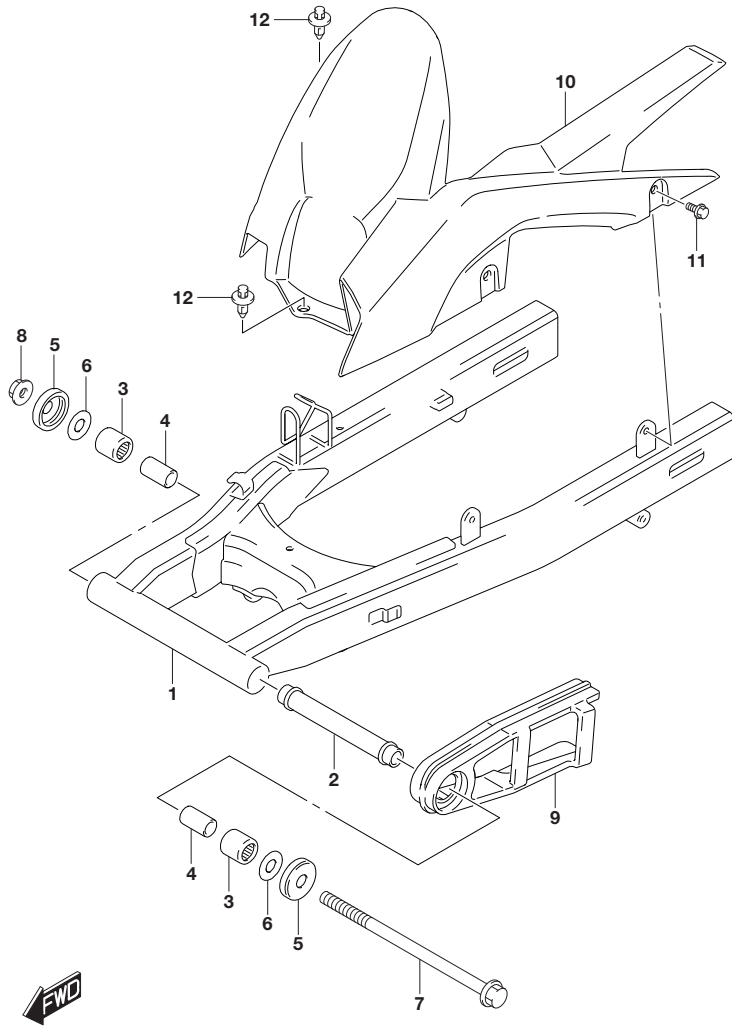
**FIG.537A**

**FIG.537A (1-F-5) FRONT MASTER CYLINDER**

REF NO.	PART NO.	DESCRIPTION	Q'TY	REMARKS
1	59600-12K10-000	CYLINDER ASSY, FRONT MASTER	1	
2	59870-30H00-000	.ROD ASSY, PUSH	1	
3	59665-30H00-000	.CIRCLIP	1	
4	59610-12K00-000	.PISTON ASSY	1	
5	57318-12K00-000	.SPRING	1	
6	59667-12K00-000	.DIAPHRAGM	1	
7	59687-23K00-000	.COVER	1	
8	59671-30H00-000	.CLAMP	1	
9	59688-30H00-000	.SCREW	2	
10	59668-30H00-000	.PLATE, DIAPHRAGM	1	
11	59691-30H00-000	.FLAT SCREW	2	
12	59669-30H00-000	.CAP	1	



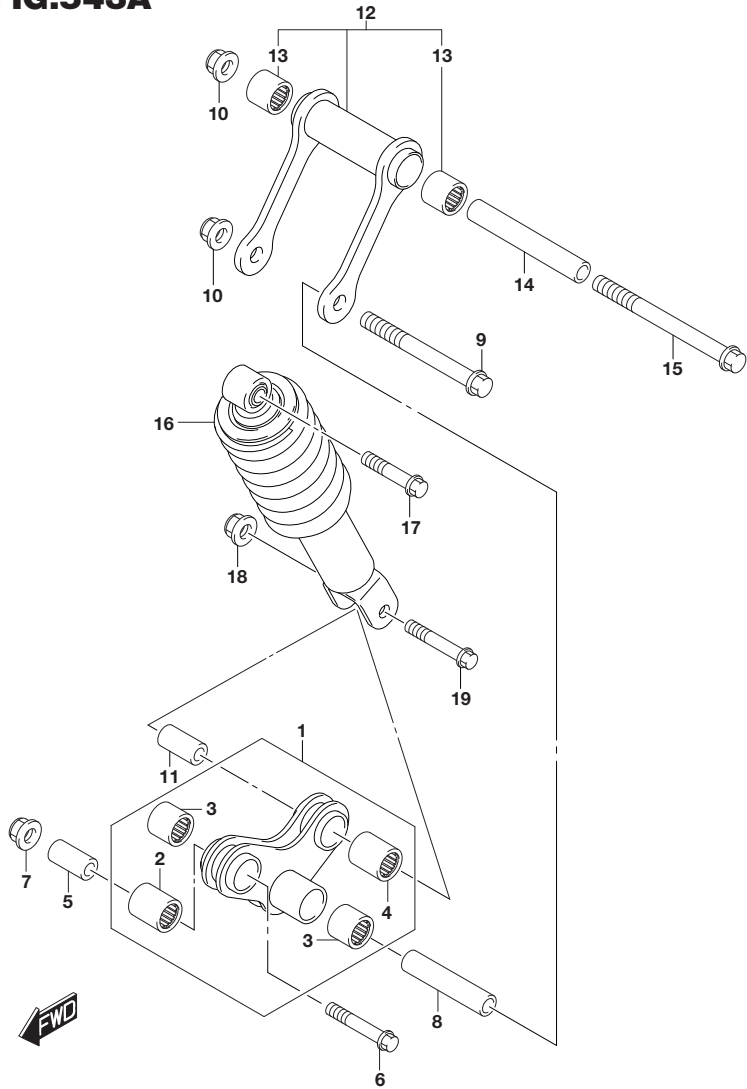
**FIG.541A**



**FIG.541A (1-F-6) REAR SWINGARM**

REF NO.	PART NO.	DESCRIPTION	Q'TY	REMARKS
1	61100-23K40-000	SWINGINGARM, REAR	1	
2	61280-23K00-000	SPACER, RR SWGARM PIVOT	1	
3	09263-17053-000	BEARING (17X24X25)	2	
4	61251-34J00-000	SPACER, RR SWGARM	2	
5	61262-23K01-000	COVER, RR SWGARM PIVOT DUST	2	
6	09181-12010-000	WASHER	2	
7	61211-23K00-000	SHAFT, REAR SWINGING ARM	1	
8	08319-3112A-000	NUT	1	
9	61273-23K00-000	BUFFER, CHAIN TOUCH DEFENSE	1	
10	61311-23K00-000	CASE, CHAIN	1	
11	61361-09G30-000	BOLT	2	
12	09409-06341-000	CLIP	2	

**FIG.543A**

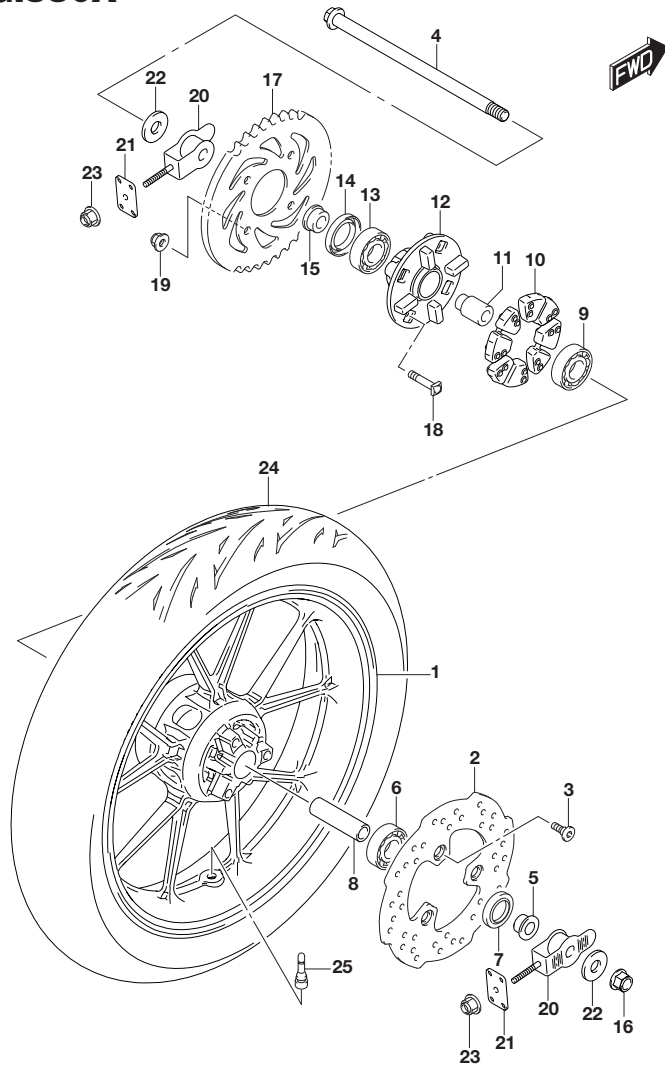


**FIG.543A (1-F-7) REAR CUSHION LEVER**

REF NO.	PART NO.	DESCRIPTION	Q'TY	REMARKS
1	62600-23822-000	LEVER SET, REAR CUSHION	1	
2	09263-17046-000	.BEARING (17X24X32)	1	FRONT
3	09263-17053-000	.BEARING (17X24X25)	2	CENTER
4	09263-17057-000	.BEARING (17X24X26)	1	REAR
5	62684-23K10-000	SPACER, REAR CUSH LVR FR	1	
6	62658-23K00-000	BOLT	1	
7	08319-3112A-000	NUT	1	
8	62684-23K00-000	SPACER, REAR CUSH LVR CTR	1	
9	09103-12097-000	BOLT (12X105)	1	
10	08319-3112A-000	NUT	2	
11	62684-40A10-000	SPACER, REAR CUSH LVR RR	1	
12	62600-23831-000	ROD SET, CUSHION LEVER	1	
13	09263-17053-000	.BEARING (17X24X25)	2	
14	62685-23K00-000	SPACER, REAR CUSH ROD	1	
15	09103-12077-000	BOLT (12X130)	1	
16	62100-23K10-019	ABSORBER ASSY, REAR SHOCK (BLACK)	1	
17	09103-10049-000	BOLT (10X44)	1	UPPER
18	08319-3110A-000	NUT	1	
19	09103-10213-000	BOLT (10X52)	1	LOWER



# FIG.550A

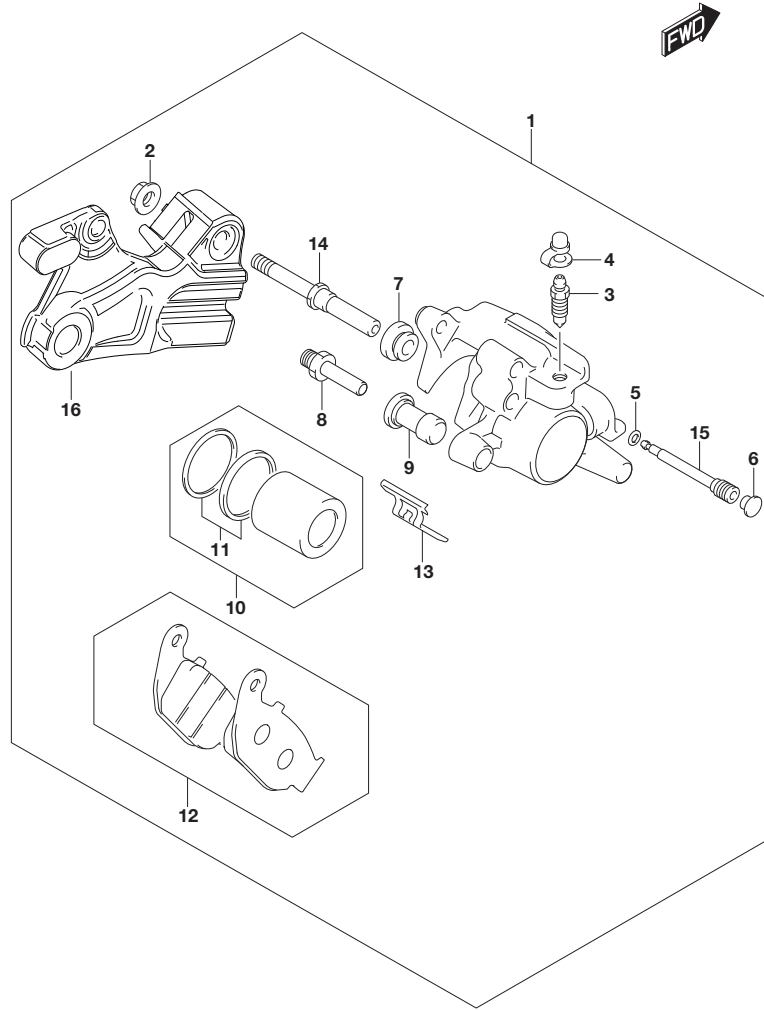


## FIG.550A (1-F-8) REAR WHEEL

REF NO.	PART NO.	DESCRIPTION	Q'TY	REMARKS
1-1	64111-23K00-019	WHEEL, REAR (17X3.50) (BLACK)	1	FOR YSF,BW5,GTA
1-2	64111-23K00-PZW	WHEEL, REAR (17X3.50) (RED)	1	FOR YVU
2	69211-25G50-000	DISC, REAR BRAKE	1	
3	59218-09G10-000	BOLT	3	
4	64711-23K00-000	AXLE, REAR	1	
5	64741-23K00-000	SPACER, REAR AXLE, RH	1	
6	08123-6202B-000	BEARING	1	RH
7	64841-23K00-000	SEAL, WHEEL BEARING RH	1	
8	64731-23K00-000	SPACER, REAR WHEEL BEARING	1	
9	08123-6202B-000	BEARING	1	LH
10	64651-35J00-000	ABSORBER, REAR HUB SHOCK	4	
11	64761-23K00-000	RETAINER, REAR SPROCKET DRUM	1	
12	64611-23K00-000	DRUM, REAR SPROCKET	1	
13	08123-6004B-000	BEARING	1	
14	64841-34J00-000	SEAL, RR SPROCKET MTG DRUM	1	
15	64742-23K00-000	SPACER, REAR SPROCKET DRUM	1	
16	08319-3114A-000	NUT	1	
17	64511-23K00-000	SPROCKET, REAR (NT:45)	1	
18	09105-08011-000	BOLT (8X36)	4	
19	08319-3108A-000	NUT	4	
20	61410-23K00-000	ADJUSTER, CHAIN	2	
21	61421-30H00-000	PLATE, CHAIN ADJUSTER GUIDE	2	
22	61445-34J00-000	WASHER, REAR AXLE	2	
23	08319-3106A-000	NUT	2	
24	65110-23K00-000	TIRE, REAR (130/70-17M/C 62P NR88)	1	
25	43130-40J00-000	VALVE ASSY, WHEEL RIM (TR413)	1	

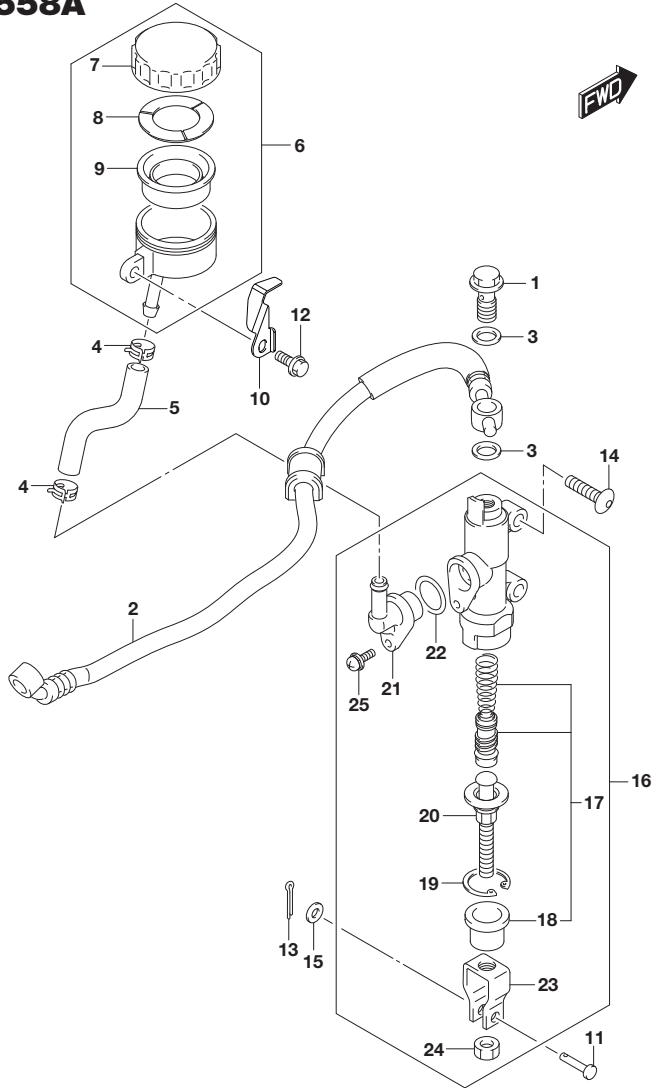
**FIG.555A**

**FIG.555A (1-F-9) REAR CALIPER**



REF NO.	PART NO.	DESCRIPTION	Q'TY	REMARKS
1	69100-23K00-000	CALIPER ASSY, REAR	1	
2	51315-61J00-000	.NUT, CYLINDER PUSH ROD	1	
3	59121-01A00-000	.BLEEDER	1	
4	59122-01A00-000	.CAP, BLEEDER	1	
5	59145-37F00-000	.RING, STOPPER	1	
6	59146-20G00-000	.PLUG, PIN	1	
7	59303-14500-000	.BOOT	1	
8	59382-14500-000	.PIN	1	
9	59386-13A00-000	.BOOT	1	
10	69100-20850-000	.PISTON SET	1	
11	59100-38860-000	..SEAL SET, PISTON	1	
12	69101-34810-000	.PAD SET	1	
13	69115-20G01-000	.SPRING, PAD	1	
14	69187-34J00-000	.PIN	1	
15	69345-20G00-000	.PIN, HANGER	1	
16	69720-23K00-000	.BRACKET	1	

**FIG.558A**



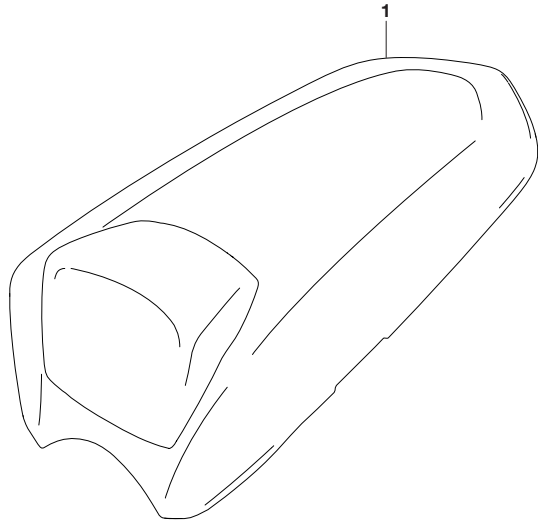
**FIG.558A (1-F-10) REAR MASTER CYLINDER**

REF NO.	PART NO.	DESCRIPTION	Q'TY	REMARKS
1	59492-22J00-000	BOLT, BRAKE FLUID	2	
2	69480-23K00-000	HOSE, REAR BRAKE	1	
3	09168-10033-000	WASHER (10.2X15X1.4)	4	
4	59735-17C00-000	CLAMP, RESERVOIR TANK FR	2	
5	69731-23K00-000	HOSE, REAR RESERVOIR TANK	1	
6	69740-20G10-000	TANK ASSY, REAR RESERVOIR	1	
7	69669-20G10-000	.CAP	1	
8	59668-18441-000	.PLATE	1	
9	59667-18441-000	.DIAPHRAGM	1	
10	69743-23K00-000	GUARD, RSVR TANK CAP	1	
11	09200-06037-000	PIN	1	
12	01547-0616A-000	BOLT	1	
13	04111-2015A-000	PIN	1	
14	09139-06057-000	SCREW (6X25)	2	
15	08322-0106A-000	WASHER	1	
16	69600-23K00-000	CYLINDER ASSY, REAR MASTER	1	
17	69600-34840-000	.PISTON / CUP SET	1	
18	69691-04A00-000	.BOOT	1	
19	69665-47H00-000	.CIRCLIP	1	
20	69670-34J00-000	.ROD, PUSH	1	
21	69672-34J00-000	.CONNECTOR	1	
22	69686-34200-000	.O RING	1	
23	69692-44H00-000	.YOKE	1	
24	69693-05A00-000	.NUT	2	
25	02112-74125-000	.SCREW	1	

**FIG.970A**

**FIG.970A (1-F-11) OPTIONAL (SEAT TAIL BOX)**

REF NO.	PART NO.	DESCRIPTION	Q'TY	REMARKS
1-1	45550-23810-YSF	BOX, SEAT TAIL (BLUE)	1	
1-2	45550-23810-YVU	BOX, SEAT TAIL (BLACK)	1	
1-3	45550-23810-YUH	BOX, SEAT TAIL (WHITE)	1	



PART NO.	FIG.NO.-REF.NO.	PART NO.	FIG.NO.-REF.NO.	PART NO.	FIG.NO.-REF.NO.
10000			108A-7		120A-10
			108A-7	12200-12K31-000	120A-1
		11340-12K30-000	108A-7		120A-1
			112A-1		120A-1
11100-23K60-000	103A-1		112A-1	12228-12K00-0A0	120A-3-1
	103A-1		112A-1		120A-3-1
	103A-1	11342-25G00-000	112A-8		120A-3-1
	103A-1		112A-8		120A-3-1
11117-12K10-000	103A-11		112A-8	12228-12K00-0B0	120A-3-2
	103A-11		112A-8		120A-3-2
	103A-11	11351-12K20-000	112A-12		120A-3-2
	103A-11		112A-12		120A-3-2
11141-12K01-000	103A-5		112A-12	12228-12K00-0C0	120A-3-3
	103A-5		112A-12		120A-3-3
	103A-5	11352-22J00-000	112A-17		120A-3-3
	103A-5		112A-17		120A-3-3
11171-23K00-000	102A-1		112A-17	12228-12K00-0D0	120A-3-4
	102A-1		112A-17		120A-3-4
	102A-1	11360-12K00-000	112A-20		120A-3-4
	102A-1		112A-20		120A-3-4
11173-12K00-000	102A-2		112A-20	12228-12K00-0E0	120A-3-5
	102A-2		112A-20		120A-3-5
	102A-2	11482-12K00-000	112A-3		120A-3-5
	102A-2		112A-3		120A-3-5
11178-12K00-000	102A-3		112A-3	12228-12K00-0F0	120A-3-6
	102A-3		112A-3		120A-3-6
	102A-3	11483-12K00-000	112A-13		120A-3-6
	102A-3		112A-13		120A-3-6
11191-27E70-000	102A-5		112A-13	12228-12K00-0G0	120A-3-7
	102A-5		112A-13		120A-3-7
	102A-5	11611-23K00-000	103A-24		120A-3-7
	102A-5		103A-24		120A-3-7
	103A-9		103A-24	12228-12K00-0H0	120A-3-8
	103A-9		103A-24		120A-3-8
11211-12K01-0F0	107A-1	11971-45010-000	112A-2		120A-3-8
	107A-1		112A-2		120A-3-8
	107A-1		112A-2	12228-12K00-0J0	120A-3-9
	107A-1		112A-2		120A-3-9
11241-12K00-000	107A-4		120A-8		120A-3-9
	107A-4		120A-8	12228-12K00-0K0	120A-3-10
	107A-4		120A-8		120A-3-10
	107A-4	12140-12K00-000	120A-9		120A-3-10
	107A-4		120A-9		120A-3-10
11300-12K00-000	108A-1		120A-9	12228-12K00-0L0	120A-3-11
	108A-1		120A-9		120A-3-11
	108A-1	12151-12K00-000	120A-10		120A-3-11
	108A-1		120A-10		120A-3-11
11313-25G00-000	108A-7		120A-10	12228-12K00-0M0	120A-3-12

PART NO.	FIG.NO.-REF.NO.	PART NO.	FIG.NO.-REF.NO.	PART NO.	FIG.NO.-REF.NO.
			120A-3-12		126A-16
			120A-3-12	12666-12K10-000	126A-16
			120A-3-12		126A-16
12228-12K00-0N0	120A-3-13		124A-5	12811-12K00-000	127A-4
	120A-3-13		124A-5		127A-4
	120A-3-13		124A-5		127A-4
	120A-3-13	12668-34J00-000	124A-9		127A-4
12228-12K00-0P0	120A-3-14		124A-9	12812-35C00-000	127A-5
	120A-3-14		124A-9		127A-5
	120A-3-14		124A-9		127A-5
	120A-3-14	12669-12K10-000	124A-6		127A-5
	120A-3-14		124A-6		127A-5
12228-12K00-0R0	120A-3-15		124A-6	12830-12K00-000	127A-7
	120A-3-15		124A-6		127A-7
	120A-3-15		124A-6		127A-7
	120A-3-15	12686-25G31-000	124A-7		127A-7
	120A-3-15		124A-7		127A-7
12228-12K00-0S0	120A-3-16		124A-7	12836-12K01-000	127A-10
	120A-3-16		124A-7		127A-10
	120A-3-16		124A-7		127A-10
	120A-3-16	12702-12K10-000	126A-4-1		127A-10
	120A-3-16		126A-4-1		127A-10
12228-12K00-0T0	120A-3-17		126A-4-1	12837-12K00-000	127A-8
	120A-3-17		126A-4-1		127A-8
	120A-3-17		126A-4-2		127A-8
12600-12822-000	122A-2		126A-4-2	12891-25G10-000	126A-7
	122A-2		126A-4-2		126A-7
	122A-2		126A-4-2		126A-7
	122A-2	12710-12K11-000	126A-1		126A-7
	122A-2		126A-1		126A-7
12611-12K00-000	122A-1		126A-1	12892-05C00-120	126A-15-1
	122A-1		126A-1		126A-15-1
	122A-1		126A-1		126A-15-1
	122A-1	12741-12K00-000	126A-2		126A-15-1
	122A-1		126A-2		126A-15-1
12651-12K02-000	124A-1		126A-2	12892-05C00-125	126A-15-2
	124A-1		126A-2		126A-15-2
	124A-1		126A-2		126A-15-2
	124A-1		126A-5		126A-15-2
12661-12K00-000	120A-2		126A-5	12892-05C00-130	126A-15-3
	120A-2		126A-5		126A-15-3
	120A-2	12760-12K00-000	127A-1		126A-15-3
	120A-2		127A-1		126A-15-3
12662-12K00-000	124A-2		127A-1	12892-05C00-135	126A-15-4
	124A-2		127A-1		126A-15-4
	124A-2	12771-12K00-000	127A-2		126A-15-4
	124A-2		127A-2		126A-15-4
12662-34J10-000	124A-3		127A-2	12892-05C00-140	126A-15-5
	124A-3		127A-2		126A-15-5
	124A-3		127A-2		126A-15-5
	124A-3	12782-12K01-000	127A-3		126A-15-5
	124A-3		127A-3		126A-15-5
12663-47E50-000	124A-4		127A-3	12892-05C00-145	126A-15-6
	124A-4		127A-3		126A-15-6
	124A-4	12800-05830-000	126A-16		126A-15-6

PART NO.	FIG.NO.-REF.NO.	PART NO.	FIG.NO.-REF.NO.	PART NO.	FIG.NO.-REF.NO.
12892-05C00-150	126A-15-6	12892-05C00-215	126A-15-19	13170-12K00-000	103A-18
	126A-15-7		126A-15-19		103A-19
	126A-15-7		126A-15-19		103A-19
	126A-15-7		126A-15-20		103A-19
12892-05C00-155	126A-15-8	12892-05C00-220	126A-15-20	13400-23K00-000	103A-19
	126A-15-8		126A-15-20		140A-1
	126A-15-8		126A-15-20		140A-1
	126A-15-8		126A-15-21		140A-1
12892-05C00-160	126A-15-9	12911-12K00-000	126A-15-21	13417-09JA0-000	140A-4
	126A-15-9		126A-15-21		140A-4
	126A-15-9		126A-8		140A-4
	126A-15-9		126A-8		140A-4
12892-05C00-165	126A-15-10	12912-12K00-000	126A-8	13421-42J00-000	140A-5
	126A-15-10		126A-9		140A-5
	126A-15-10		126A-9		140A-5
	126A-15-10		126A-9		140A-5
12892-05C00-170	126A-15-11	12921-12K00-000	126A-9	13438-09JA0-000	140A-3
	126A-15-11		126A-9		140A-3
	126A-15-11		126A-9		140A-3
	126A-15-11		126A-10		140A-3
12892-05C00-175	126A-15-11	12931-25G20-000	126A-10	13602-06128-000	140A-3
	126A-15-12		126A-10		140A-6
	126A-15-12		126A-10		140A-6
	126A-15-12		126A-11		140A-6
12892-05C00-180	126A-15-12	12932-32C00-000	126A-11	13650-49X00-000	140A-6
	126A-15-13		126A-11		107A-6
	126A-15-13		126A-11		107A-6
	126A-15-13		126A-12-1		107A-6
12892-05C00-185	126A-15-13	12932-32C10-000	126A-12-1	13700-23K10-000	155A-1
	126A-15-14		126A-12-1		155A-1
	126A-15-14		126A-12-2		155A-1
	126A-15-14		126A-12-2		155A-1
12892-05C00-190	126A-15-15	12933-12K00-000	126A-12-2	13741-23K00-000	155A-2
	126A-15-15		126A-13		155A-2
	126A-15-15		126A-13		155A-2
	126A-15-15		126A-13		155A-3
12892-05C00-195	126A-15-16	13111-12K01-000	126A-13	13746-23K00-000	155A-3
	126A-15-16		103A-16		155A-3
	126A-15-16		103A-16		155A-3
	126A-15-16		103A-16		155A-3
12892-05C00-200	126A-15-17	13121-12K00-000	103A-16	13747-23K00-000	155A-14
	126A-15-17		103A-16		155A-14
	126A-15-17		103A-17		155A-14
	126A-15-17		103A-17		155A-14
12892-05C00-205	126A-15-18	13128-12K00-000	103A-17	13761-23K00-000	155A-4
	126A-15-18		103A-17		155A-4
	126A-15-18		103A-18		155A-4
	126A-15-18		103A-18		155A-4
12892-05C00-210	126A-15-19		103A-18	13780-23K00-000	155A-5

PART NO.	FIG.NO.-REF.NO.	PART NO.	FIG.NO.-REF.NO.	PART NO.	FIG.NO.-REF.NO.
13821-12K00-000	155A-5	14780-23K00-000	163A-17	15722-42J00-000	140A-9
	155A-5		163A-3		140A-9
	155A-5		163A-3		140A-9
	155A-6		163A-3		140A-10
13822-12K00-000	155A-6	14783-23K00-000	163A-3	15810-23K00-000	140A-10
	155A-6		163A-4		140A-10
	155A-6		163A-4		140A-10
	155A-7		163A-4		172A-6
13826-23K00-000	155A-7	14784-23K00-000	163A-4	15830-23K00-000	172A-6
	155A-7		163A-5		172A-6
	155A-7		163A-5		172A-6
	155A-7		163A-5		172A-6
13841-23K00-000	155A-13	14790-23K01-000	163A-5	16321-12K00-000	140A-11
	155A-13		163A-5		140A-11
	155A-13		163A-5		140A-11
	155A-13		163A-18		140A-11
13853-23K00-000	155A-18	14795-10FA0-000	163A-18	16331-12K00-000	120A-7
	155A-18		163A-18		120A-7
	155A-18		163A-18		120A-7
	155A-18		163A-6		120A-7
13878-12K00-000	155A-18	15100-23K00-000	163A-6	16400-12K00-000	170A-2
	155A-8		163A-6		170A-2
	155A-8		163A-6		170A-2
	155A-8		172A-1		170A-2
13881-23K00-000	155A-8	15120-23K00-000	172A-1	16510-45H10-000	180A-1
	155A-9		172A-1		180A-1
	155A-9		172A-1		180A-1
	155A-9		172A-1		180A-1
13891-23K00-000	155A-9	15420-34JB0-000	172A-1	16512-22J30-000	170A-1
	155A-10		172A-4		170A-1
	155A-10		172A-4		170A-1
	155A-10		172A-4		170A-1
13911-23K01-000	155A-10	15424-09JB0-000	172A-5	16519-09J00-000	170A-1
	155A-10		172A-5		170A-1
	155A-10		172A-5		170A-1
	155A-10		172A-5		170A-1
14181-47E20-000	155A-11	15710-23K00-000	172A-5	16520-45H01-000	170A-9-1
	155A-11		172A-5		170A-9-1
	155A-11		172A-5		170A-9-1
	155A-11		172A-2		170A-9-1
14310-23K30-000	155A-11	15716-42J00-000	172A-2	16520-45H01-000	170A-9-1
	155A-11		172A-2		170A-9-1
	155A-11		172A-2		170A-9-1
	155A-11		172A-2		170A-9-1
14760-23K00-000	155A-15	15719-12K01-000	172A-2		170A-9-2
	155A-15		172A-2		170A-9-2
	155A-15		172A-3		170A-9-2
	155A-15		172A-3		170A-9-2
14770-23K00-000	155A-15		172A-3		170A-9-2
	163A-1		172A-3		170A-11
	163A-1		172A-3		170A-11
	163A-1		172A-3		170A-11
14780-23K00-000	163A-1		140A-7		170A-11
	163A-1		140A-7		170A-11
	163A-2		140A-7		170A-13
	163A-2		140A-7		170A-13
14790-23K01-000	163A-2		140A-7		170A-13
	163A-2		140A-8		170A-13
	163A-2		140A-8		170A-13
	163A-2		140A-8		170A-13
14795-10FA0-000	163A-17		140A-8		170A-8
	163A-17		140A-8		170A-8
	163A-17		140A-8		170A-8
	163A-17		140A-9		170A-8

PART NO.	FIG.NO.-REF.NO.	PART NO.	FIG.NO.-REF.NO.	PART NO.	FIG.NO.-REF.NO.	
17410-12K20-000	170A-8	17852-12K10-000	187A-4	18610-23K10-000	189A-4	
	180A-2		187A-4		189A-5	
	180A-2		187A-4		189A-5	
	180A-2		187A-5		189A-5	
	180A-2		187A-5		189A-5	
17431-12K10-000	180A-3	17856-12K00-000	187A-5	18711-23K01-000	189A-6	
	180A-3		187A-5		189A-6	
	180A-3		187A-6		189A-6	
	180A-3		187A-6		189A-6	
17461-12K00-000	180A-4	17910-23K00-000	187A-6	20000		
	180A-4		187A-6			
17510-12K01-000	180A-4		187A-9			
	180A-4		187A-9			
	180A-5		187A-9			
17661-12K02-000	180A-5	17920-23K10-000	187A-11	21111-12K00-0A0	120A-12-1	
	180A-5		187A-11		120A-12-1	
	187A-2		187A-11		120A-12-1	
	17670-12K11-000	187A-2	17931-31J10-000	187A-10	21111-12K00-0B0	120A-12-2
		187A-1		187A-10		120A-12-2
17710-23K00-000	187A-1	18117-09JA0-000	187A-10	21200-12K10-0A0	120A-12-2	
	187A-1		187A-10		201A-2-1	
	187A-1		187A-12		201A-2-1	
	185A-1		187A-12		201A-2-1	
	185A-1		187A-12		201A-2-1	
17730-14G00-000	185A-1		140A-2	21200-12K10-0B0	201A-2-2	
	185A-1		140A-2		201A-2-2	
	185A-5		140A-2		201A-2-2	
17751-12K00-000	185A-5	18213-12K01-000	140A-2	21251-12K02-000	201A-2-2	
	185A-5		163A-23		201A-1	
	185A-5		163A-23		201A-1	
	185A-6		163A-23		201A-1	
	185A-6		163A-23		201A-1	
17781-12J00-000	185A-6	18450-06G10-000	189A-1	21411-05241-000	201A-3	
	185A-6		189A-1		201A-3	
	185A-7		189A-1		201A-3	
	185A-7		189A-1		201A-3	
	185A-7		189A-1		201A-3	
17800-12K00-000	185A-7	18461-23K01-000	189A-2	21414-12K00-000	201A-9	
	185A-2		189A-2		201A-9	
17800-12K01-000	185A-2		189A-2			
	185A-2		189A-2			
17802-12K00-000	185A-2	18510-48H10-000	189A-3	21441-25G10-000	201A-4	
	185A-2		189A-3		201A-4	
	185A-3		189A-3		201A-4	
17851-23K00-000	185A-3	18531-09J00-000	189A-3	21451-28040-000	201A-4	
	185A-3		189A-3		201A-4	
	185A-3		189A-4		201A-5	
	185A-3		189A-4		201A-5	
	187A-4		189A-4		201A-5	

PART NO.	FIG.NO.-REF.NO.	PART NO.	FIG.NO.-REF.NO.	PART NO.	FIG.NO.-REF.NO.
21462-23K00-000	201A-5	24322-12K00-000	206A-12	25311-12K00-000	212A-2
	201A-6		206A-12		212A-6
	201A-6		206A-12		212A-6
	201A-6		206A-13		212A-6
	201A-6		206A-13		212A-6
23165-28G60-000	201A-12	24323-12K00-000	206A-13	25312-12K00-000	212A-7
	201A-12		206A-13		212A-7
	201A-12		206A-14		212A-7
	201A-12		206A-14		212A-7
23261-12K01-000	201A-13		206A-14	25350-26D01-000	212A-13
	201A-13		206A-14		212A-13
23271-47E20-000	201A-13	24331-12K10-000	206A-15	25355-12K00-000	212A-13
	201A-13		206A-15		212A-13
	201A-13		206A-15		212A-13
24121-12K10-000	201A-14	24341-12K40-000	206A-15	25357-22J00-000	212A-14
	201A-14		206A-16		212A-14
	201A-14		206A-16		212A-14
	206A-1		206A-16		212A-15
	206A-1		206A-16		212A-15
24130-12820-000	206A-1	24351-12K10-000	206A-17	25381-12K00-000	212A-15
	206A-9		206A-17		212A-15
	206A-9		206A-17		212A-8
	206A-9		206A-18		212A-8
	206A-9		206A-18		212A-8
24221-12K10-000	206A-2	24361-12K10-000	206A-18	25411-25G10-000	212A-8
	206A-2		206A-18		212A-3
	206A-2		206A-18		212A-3
	206A-2		206A-25		212A-3
	206A-2		206A-25		212A-3
24231-12K10-000	206A-3	24399-12K00-000	206A-25	25421-25G10-000	212A-4
	206A-3		206A-25		212A-4
	206A-3		206A-25		212A-4
24251-12K40-000	206A-3	24741-20A10-000	206A-28	25510-12K11-000	212A-4
	206A-3		206A-28		212A-4
	206A-4		206A-28		212A-17
	206A-4		206A-28		212A-17
	206A-4		206A-28		212A-17
24261-12K40-000	206A-4	24751-05210-000	212A-5	25512-12K01-000	212A-17
	206A-4		212A-5		212A-17
	206A-5		212A-5		212A-18
	206A-5		212A-5		212A-18
	206A-5		212A-5		212A-18
24311-12K10-000	206A-5	25211-12K00-000	206A-30	25518-12K10-000	212A-18
	206A-10		206A-30		212A-18
	206A-10		206A-30		212A-18
24312-12K00-000	206A-10	25231-12K00-000	212A-1	25519-25G00-000	212A-19
	206A-10		212A-1		212A-19
	206A-11		212A-1		212A-19
	206A-11		212A-1		212A-20
	206A-11		212A-1		212A-20
24321-12K10-000	206A-11		212A-2		212A-20
	206A-11		212A-2		212A-20
	206A-12		212A-2		212A-25

PART NO.	FIG.NO.-REF.NO.	PART NO.	FIG.NO.-REF.NO.	PART NO.	FIG.NO.-REF.NO.
25525-23K00-000	212A-25	31135-19D00-000	301A-2	32832-23K00-000	312A-1
	212A-25		301A-2		312A-2
	212A-25		301A-2		312A-2
	212A-26		301A-3		312A-2
	212A-26		301A-3		312A-2
25600-23K61-000	212A-26	31151-20G00-000	301A-3	32920-23KJ1-000	312A-10
	212A-26		301A-3		312A-10
	212A-27		301A-4		312A-10
	212A-27		301A-4		312A-10
	212A-27		301A-4		312A-11
25617-30H00-000	212A-27	31156-98E00-000	301A-4	32942-23K00-000	312A-11
	212A-29		301A-5		312A-11
	212A-29		301A-5		312A-11
	212A-29		301A-5		312A-13
	212A-29		301A-5		312A-13
25652-16H11-000	212A-28	31170-19B10-000	301A-6	33410-40J10-000	312A-13
	212A-28		301A-6		312A-13
	212A-28		301A-6		312A-15
	212A-28		301A-6		312A-15
	212A-28		301A-6		312A-15
25671-22J10-000	212A-21	31800-33G60-000	312A-18	33510-25G00-000	312A-15
	212A-21		312A-18		312A-15
	212A-21		312A-18		312A-16
	212A-21		312A-18		312A-16
	206A-32		312A-19		312A-16
27511-23K10-000	206A-32	31861-47E00-000	312A-19	33542-25G10-000	312A-17
	206A-32		312A-19		312A-17
	206A-32		312A-19		312A-17
	206A-33		310A-4		312A-17
	206A-33		310A-4		312A-17
27512-25G00-000	206A-33	31861-48B10-000	310A-4	33620-23K20-000	310A-1
	206A-33		310A-4		310A-1
	206A-33		310A-4		310A-1
	206A-34		303A-1		310A-1
	206A-34		303A-1		310A-1
27610-12K00-122	206A-34	32101-12K11-000	303A-1	33624-23K00-000	310A-6
	206A-34		303A-1		310A-6
	206A-34		303A-1		310A-6
	206A-34		303A-1		310A-6
	206A-35		303A-2		310A-6
27620-12K00-000	206A-35	32102-12K10-000	303A-2	33652-38000-000	310A-6
	206A-35		303A-2		310A-6
	206A-35		303A-2		310A-2
	206A-35		303A-2		310A-2
	206A-35		303A-2		310A-2
27620-12K00-122	206A-35	32371-12K00-000	303A-3	33810-23K00-000	310A-2
	206A-35		303A-3		310A-2
	206A-35		303A-3		310A-3
	206A-35		303A-3		310A-3
	206A-35		303A-4		310A-3
30000	301A-1	32371-16H00-000	303A-4	33820-23K00-000	310A-5
	301A-1		303A-4		310A-5
	301A-1		312A-1		310A-5
	301A-1		312A-1		310A-5
	301A-2		312A-1		312A-1
31100-12K10-000	301A-1	32800-23K00-000	312A-1	33960-27G00-000	312A-12

PART NO.	FIG.NO.-REF.NO.	PART NO.	FIG.NO.-REF.NO.	PART NO.	FIG.NO.-REF.NO.
33960B27G00N000	312A-12	34100-12KA0-000	334A-15	35614-34J11-000	334A-26
	312A-12		334A-21		334A-26
	312A-12		334A-21		334A-26
	330A-1		334A-21		334A-9
	330A-1		334A-21		334A-9
34189-30H30-000	330A-1	34189-30H30-000	334A-3	35623-34J30-000	334A-9
	330A-1		334A-3		334A-9
	330A-1		334A-3		334A-9
	330A-2		334A-3		334A-16
	330A-2		334A-3		334A-16
34810-23K10-000	330A-2	34810-23K10-000	334A-22	35623-34J30-000	334A-16
	330A-2		334A-22		334A-16
	330A-2		334A-22		334A-16
	172A-8		334A-22		339A-4
	172A-8		334A-22		339A-4
34990-12K00-000	172A-8	34990-12K00-000	334A-4	35693-23K00-000	339A-4
	330A-5		334A-4		339A-5
	330A-5		334A-4		339A-5
	330A-5		334A-10		339A-5
	330A-5		334A-10		339A-5
35100-23K11-000	333A-1	35100-23K11-000	334A-10	35710-23K00-000	339A-1
	333A-1		334A-10		339A-1
	333A-1		334A-17		339A-1
	333A-1		334A-17		339A-1
	334A-1		334A-17		339A-3
35601-34J62-000	334A-1	35601-34J62-000	334A-17	35718-23K00-000	339A-3
	334A-1		334A-17		339A-3
	334A-1		334A-17		339A-3
	334A-1		334A-23		339A-3
	334A-1		334A-23		339A-3
35602-34J62-000	334A-7	35602-34J62-000	334A-23	35781-23K00-000	339A-6
	334A-7		334A-23		339A-6
	334A-7		334A-23		339A-6
	334A-7		334A-23		339A-6
	334A-7		334A-23		339A-6
35603-34J62-000	334A-7	35603-34J62-000	334A-6	35781-23K10-000	339A-6
	334A-7		334A-6		339A-6
	334A-14		334A-6		339A-7
	334A-14		334A-6		339A-7
	334A-14		334A-12		339A-7
35604-34J62-000	334A-14	35604-34J62-000	334A-12	35781-45H00-000	401A-2
	334A-20		334A-12		401A-2
	334A-20		334A-12		401A-2
	334A-20		334A-19		401A-2
	334A-20		334A-19		401A-2
35613-34J00-000	334A-20	35613-34J00-000	334A-19	35910-23K00-000	339A-8
	334A-2		334A-19		339A-8
	334A-2		334A-19		339A-8
	334A-2		334A-25		339A-8
	334A-2		334A-25		339A-8
35629-34J10-000	334A-8	35629-34J10-000	334A-25	35913-23K00-000	339A-13
	334A-8		334A-25		339A-13
	334A-8		334A-25		339A-13
	334A-15		334A-13		339A-14
	334A-15		334A-13		339A-14



PART NO.	FIG.NO.-REF.NO.	PART NO.	FIG.NO.-REF.NO.	PART NO.	FIG.NO.-REF.NO.
35950-22J10-000	339A-14		212A-36		352A-11
	460A-8		350A-5		352A-11
	460A-8		350A-5	37187-23K00-000	352A-11
	460A-8		350A-5		352A-12
35956-23K00-000	460A-8		350A-5		352A-12
	460A-9		355A-9		352A-12
	460A-9		355A-9	37200-23K50-000	355A-1
	460A-9		355A-9		355A-1
35957-23K00-000	460A-10	37100-23K31-000	352A-2		355A-1
	460A-10		352A-2		355A-1
35970-28G00-000	460A-10		352A-2	37400-23K30-000	355A-5
	460A-10		352A-2		355A-5
	460A-10		352A-2		355A-5
	339A-17	37101-23831-000	352A-1		355A-5
36610-28L00-000	339A-17		352A-1		355A-5
	339A-17		352A-1	37713-23K00-000	352A-13
	339A-17		352A-1		352A-13
	350A-1	37152-23K10-000	352A-4		352A-13
36620-23K00-000	350A-1		352A-4		352A-13
	350A-3	37152-23KA0-000	352A-3	37720-12K12-000	212A-33
	350A-3		352A-3		212A-33
	350A-3		352A-3	37722-25G00-000	212A-34
36852-28L00-000	350A-3		352A-3		212A-34
	350A-17	37172-23K23-000	352A-8		212A-34
	350A-17		352A-8		212A-34
	350A-17	37172-23K24-000	352A-8	37740-12K10-000	350A-6
36990-25G00-000	350A-17		352A-8		350A-6
	163A-24	37173-23K01-000	352A-6		350A-6
	163A-24		352A-6		350A-6
	163A-24		352A-6	38500-23K11-000	350A-8
36990-25G20-000	339A-11	37180-23K52-000	352A-7		350A-8
	339A-11		352A-7		350A-8
	350A-4	37180-23K53-000	352A-7	38610-23K00-000	334A-27
	350A-4		352A-7		334A-27
36990-25G20-000	355A-10	37181-23K20-000	352A-9		334A-27
	355A-10		352A-9		334A-27
	355A-10		352A-9	38860-33J00-000	350A-10
	355A-10		352A-9		350A-10
	462A-20	37183-23K00-000	352A-15		350A-10
	462A-20		352A-15		350A-10
	189A-7		352A-15		350A-10
	189A-7		352A-15		350A-11
	189A-7	37186-23K00-000	352A-10		350A-11
	189A-7		352A-10		350A-11
	212A-36		352A-10		350A-12
	212A-36		352A-10		350A-12
212A-36	37186-23K10-000	352A-11		350A-12	

PART NO.	FIG.NO.-REF.NO.	PART NO.	FIG.NO.-REF.NO.	PART NO.	FIG.NO.-REF.NO.
	350A-12	43516-35F10-000	415A-3		420A-1-3
			415A-3		420A-1-3
			415A-3	44100-23KK0-YSF	420A-1-1
			415A-3		420A-1-1
		43521-23K00-000	415A-11		420A-1-1
			415A-11		420A-1-1
			415A-11	44100-23KK0-YVU	420A-1-2
			415A-11		420A-1-2
		43526-35F10-000	415A-12		420A-1-2
			415A-12		420A-1-2
			415A-12		420A-1-2
	41100-23KF0-000		401A-1		420A-1-4
			401A-1		420A-1-4
			401A-1	43530-23K00-000	420A-1-4
			401A-1		420A-1-4
			401A-1		420A-1-4
	42310-23K00-000		407A-1		420A-11
			407A-1		420A-11
			407A-1	44146-48H00-000	420A-11
			407A-1		420A-11
	42341-40J00-000		407A-3		420A-16
			407A-3		420A-16
			407A-3	43576-48B02-000	420A-16
			407A-3		420A-16
	43110-23K01-000		407A-5		420A-20
			407A-5		420A-20
			407A-5		420A-20
			407A-5		420A-20
			407A-5		420A-20
			407A-5		420A-20
	43130-40J00-000		530A-11		420A-17
			530A-11		420A-17
			530A-11	43611-23K01-000	420A-17
			530A-11		420A-17
			530A-11		420A-17
			550A-25		420A-3
			550A-25		420A-3
			550A-25	43621-23K01-000	420A-3
			550A-25		420A-3
	43232-34J00-000		350A-7		420A-4
			350A-7		420A-4
			350A-7		420A-4
			350A-7	43810-23K30-000	420A-4
			350A-7		420A-4
	43501-23K10-000		415A-1		423A-9
			415A-1		423A-9
			415A-1	43816-01H02-000	423A-9
			415A-1		423A-9
			415A-1		423A-9
	43502-23K00-000		415A-10		420A-2
			415A-10		420A-2
			415A-10		420A-2
			415A-10	43820-23K30-000	420A-2
			415A-10		420A-2
	43511-23K00-000		415A-2		423A-3
			415A-2		423A-3
			415A-2		423A-3
			415A-2		423A-3
			415A-2	44100-23KK0-YMF	423A-3
			415A-2		423A-3

PART NO.	FIG.NO.-REF.NO.	PART NO.	FIG.NO.-REF.NO.	PART NO.	FIG.NO.-REF.NO.
44292-23K00-YMF	423A-1-3 423A-1-3 423A-1-3 423A-1-3	44424-23K40-000	420A-25 420A-25 420A-26 420A-26	45100-23K00-PRQ	423A-8 423A-8 423A-8 423A-8
44292-23K00-YSF	423A-1-1 423A-1-1 423A-1-1 423A-1-1	44424-23K50-000	420A-26 420A-29 420A-29 420A-29	45148-20G80-000	505A-1 505A-1 505A-1 505A-1
44292-23K00-YVU	423A-1-2 423A-1-2 423A-1-2 423A-1-2	44511-16G01-000	420A-29 420A-7 420A-7 420A-7	45148-23J00-000	505A-11 505A-11 505A-2 505A-2
44292-23K00-YZE	423A-1-4 423A-1-4 423A-1-4 423A-1-4	44512-16G00-000	420A-7 420A-8 420A-8 420A-8	45149-23K00-000	505A-2 505A-2 505A-3 505A-3
44293-23K00-YMF	423A-2-3 423A-2-3 423A-2-3 423A-2-3	44513-23K00-000	420A-8 420A-8 445A-3 445A-3	45220-04K30-000	505A-3 505A-3 505A-3 505A-3
44293-23K00-YSF	423A-2-1 423A-2-1 423A-2-1 423A-2-1	44541-23K00-000	445A-3 445A-3 485A-4 485A-4	45241-23K00-000	505A-8 505A-8 505A-8 505A-8
44293-23K00-YVU	423A-2-2 423A-2-2 423A-2-2 423A-2-2	44542-23K00-000	485A-4 485A-4 420A-12 420A-12	45288-12K00-000	505A-4 505A-4 505A-6 505A-6
44293-23K00-YZE	423A-2-4 423A-2-4 423A-2-4 423A-2-4	44542-23K10-000	420A-12 420A-12 420A-15 420A-15	45289-11F00-000	505A-6 505A-6 505A-7 505A-7
44294-23K00-000	420A-21 420A-21 420A-21 420A-21	44542-23K10-000	420A-12 420A-14 420A-14 420A-14	45289-23K10-000	505A-6 505A-6 505A-7 505A-7
44294-43H11-000	333A-2 333A-2 333A-2 333A-2	44542-48H01-000	420A-14 420A-9 420A-9 420A-9	45290-23K00-000	505A-7 505A-5 505A-5 505A-5
44295-23K00-000	423A-4 423A-4 423A-4 423A-4	44544-05J00-000	420A-9 420A-9 420A-13 420A-13	45300-23K01-PRQ	505A-12 505A-12 505A-12 505A-12
44423-23K10-000	420A-27 420A-27 420A-27 420A-27	44572-23KA0-000	420A-13 420A-13 420A-19 420A-19	45380-23K01-PRQ	505A-10 505A-10 505A-10 505A-10
44424-23K30-000	420A-25 420A-25		420A-19 420A-19		505A-13 505A-13

PART NO.	FIG.NO.-REF.NO.	PART NO.	FIG.NO.-REF.NO.	PART NO.	FIG.NO.-REF.NO.
45550-23810-YSF	505A-13 505A-13 970A-1-1 970A-1-1	47310-23KK0-YVU	445A-4-2 445A-4-2 445A-4-2 445A-4-2	51103-23K00-291	521A-1 521A-1 521A-1 521A-1
45550-23810-YUH	970A-1-1 970A-1-1 970A-1-3 970A-1-3	47312-37H10-000	445A-8 445A-8 445A-8 445A-8	51104-23K00-291	521A-21 521A-21 521A-21 521A-21
45550-23810-YVU	970A-1-3 970A-1-3 970A-1-3 970A-1-3	47321-23K00-000	423A-10 423A-10 423A-10 423A-10	51110-23K00-000	521A-6 521A-6 521A-6 521A-6
47111-23K00-291	445A-1 445A-1 445A-1 445A-1	47410-23KK0-40X	445A-9-4 445A-9-4 445A-9-4 445A-9-4	51117-43EC0-000	521A-26 521A-26 521A-26 521A-26
47112-23K00-000	445A-1 445A-1 445A-25 445A-25	47410-23KK0-6PX	445A-9-3 445A-9-3 445A-9-3 445A-9-3	51117-43EC0-000	521A-15 521A-15 521A-15 521A-15
47117-10J00-000	445A-25 445A-25 445A-25 445A-26	47410-23KK0-YSF	445A-9-1 445A-9-1 445A-9-1 445A-9-1	51131-23K00-291	521A-35 521A-35 521A-35 521A-35
47161-23J00-000	445A-26 445A-26 481A-27 481A-27	47410-23KK0-YVU	445A-9-2 445A-9-2 445A-9-2 445A-9-2	51141-23K00-291	521A-2 521A-2 521A-2 521A-2
47211-23K00-291	460A-2 460A-2 460A-2 445A-2	47511-23K00-YSF	445A-13-1 445A-13-1 445A-13-1 445A-13-1	51147-31030-000	521A-22 521A-22 521A-22 521A-22
47310-23KK0-40X	445A-4-4 445A-4-4 445A-4-4 445A-4-4	47511-23K00-YVU	445A-13-2 445A-13-2 445A-13-2 445A-13-2	51147-31030-000	521A-10 521A-10 521A-10 521A-10
47310-23KK0-6PX	445A-4-3 445A-4-3 445A-4-3 445A-4-3	48169-12JA0-000	481A-17 481A-17 481A-17 481A-17	51147-48130-000	521A-30 521A-30 521A-30 521A-30
47310-23KK0-YSF	445A-4-1 445A-4-1 445A-4-1 445A-4-1	48278-16H10-000	474A-2 474A-2 474A-2 474A-2	51148-31030-000	521A-11 521A-11 521A-11 521A-11
		50000		51153-23K00-000	521A-31 521A-31 521A-31 521A-3

PART NO.	FIG.NO.-REF.NO.	PART NO.	FIG.NO.-REF.NO.	PART NO.	FIG.NO.-REF.NO.
51156-23K00-000	521A-3	51176-23K00-000	521A-37	51328-23K00-000	555A-2
	521A-3		521A-37		555A-2
	521A-23		521A-37		524A-6
	521A-23		521A-37		524A-6
	521A-23		521A-14		524A-6
51168-23K00-000	521A-23	51177-08K00-000	521A-14	51344-23K00-000	524A-6
	521A-4		521A-14		524A-17
	521A-4		521A-14		524A-17
	521A-4		521A-34		524A-17
	521A-4		521A-34		524A-17
51169-48500-000	521A-24	51194-23K00-000	521A-34	51351-23K00-000	521A-16
	521A-24		521A-34		521A-16
	521A-24		521A-8		521A-16
	521A-24		521A-8		521A-16
	521A-20		521A-8		521A-36
51171-23K00-000	521A-20	51195-26B00-000	521A-8	51353-12K00-000	521A-36
	521A-20		521A-8		521A-36
	521A-40		521A-28		524A-4
	521A-40		521A-28		524A-4
	521A-40		521A-7		524A-4
51172-36331-000	521A-18	51196-08K00-000	521A-7	51354-49G00-000	524A-4
	521A-18		521A-7		524A-4
	521A-18		521A-7		524A-5
	521A-18		521A-7		524A-5
	521A-18		521A-27		524A-5
51175-23K00-000	521A-38	51311-23K10-000	521A-27	51410-23K30-000	524A-1
	521A-38		521A-27		524A-1
	521A-38		521A-19		524A-1
	521A-38		521A-19		524A-1
	521A-12		521A-19		524A-7
51175-23K00-000	521A-12	51315-61J00-000	521A-39	51611-41H01-000	524A-7
	521A-12		521A-39		524A-7
	521A-32		521A-39		524A-7
	521A-32		521A-39		524A-5
	521A-32		521A-39		521A-5
51175-23K00-000	521A-32	51612-41H01-000	521A-9	51612-41H01-000	521A-5
	521A-32		521A-9		521A-5
	521A-32		521A-9		521A-5
	521A-13		521A-9		521A-25
	521A-13		521A-9		521A-25
51175-23K00-000	521A-13	51311-23K10-000	521A-29	51612-41H01-000	524A-9
	521A-33		521A-29		524A-9
	521A-33		521A-29		524A-9
	521A-33		524A-3		524A-9
	521A-33		524A-3		524A-9
51175-23K00-000	521A-17	51315-61J00-000	524A-3	51612-41H01-000	524A-9
	521A-17		524A-3		524A-10
	521A-17		524A-3		524A-10
	521A-17		555A-2		524A-10
	521A-17		555A-2		524A-10

PART NO.	FIG.NO.-REF.NO.	PART NO.	FIG.NO.-REF.NO.	PART NO.	FIG.NO.-REF.NO.
51621-41H00-000	524A-11	54731-23K00-000	530A-5	51622-25G00-000	524A-11
	524A-11		530A-5		524A-2
	524A-11		530A-3		524A-2
	524A-11		530A-3		524A-2
	524A-11		530A-6		524A-2
51631-05000-000	524A-8	54751-25G01-000	530A-6	51631-05000-000	524A-8
	524A-8		530A-6		524A-8
	524A-8		530A-6		524A-8
	524A-8		530A-6		524A-8
	524A-8		530A-6		524A-8
51643-06001-000	524A-14	56110-23K20-000	530A-10	51910-23K30-000	524A-14
	524A-14		530A-10		524A-14
	524A-14		530A-10		524A-15
	524A-14		530A-10		524A-15
	524A-14		530A-10		524A-15
51910-23K30-000	524A-15	56150-23K20-000	462A-1	53111-23K00-YSF	460A-1-1
	524A-15		462A-1		460A-1-1
	524A-15		462A-2		460A-1-1
	524A-15		462A-2		460A-1-1
	524A-15		462A-2		460A-1-2
53111-23K00-000	524A-15	56278-32J10-000	462A-2	53111-23K00-YYU	460A-1-2
	524A-15		462A-2		460A-1-2
	524A-15		462A-3		460A-1-2
	524A-15		462A-3		460A-1-2
	524A-15		462A-3		460A-1-2
53111-23K00-000	524A-15	56500-17K10-000	462A-3	53121-23K00-000	460A-3
	524A-15		462A-3		460A-3
	524A-15		462A-3		460A-3
	524A-15		462A-3		460A-3
	524A-15		462A-3		460A-3
53122-23K00-000	524A-15	56515-17K00-000	462A-6	53122-23K00-000	460A-4
	524A-15		462A-6		460A-4
	524A-15		462A-6		460A-4
	524A-15		462A-6		460A-4
	524A-15		462A-6		460A-4
53275-34J00-000	524A-15	56524-23K10-000	462A-10	54111-23K00-019	460A-4
	524A-15		462A-10		460A-5
	524A-15		462A-10		460A-5
	524A-15		462A-10		460A-5
	524A-15		462A-10		460A-5
54111-23K00-019	530A-1-1	56525-17K00-000	462A-13	54111-23K00-019	530A-1-1
	530A-1-1		462A-13		530A-1-1
	530A-1-1		462A-13		530A-1-1
	530A-1-1		462A-8		530A-1-1
	530A-1-1		462A-8		530A-1-1
54111-23K00-PZW	530A-1-2	57442-25G00-000	462A-8	54111-23K00-PZW	530A-1-2
	530A-1-2		462A-8		530A-1-2
	530A-1-2		462A-8		530A-1-2
	530A-1-2		462A-11		530A-1-2
	530A-1-2		462A-11		530A-1-2
54711-23K00-000	530A-5	57460-30H00-000	462A-11	54711-23K00-000	530A-5
	530A-5		462A-11		530A-5
	530A-5		462A-11		530A-5
	530A-5		462A-11		530A-5
	530A-5		462A-11		530A-5

PART NO.	FIG.NO.-REF.NO.	PART NO.	FIG.NO.-REF.NO.	PART NO.	FIG.NO.-REF.NO.
57500-23K00-000	467A-7	59100-38860-000	555A-11	59188-34J00-000	535A-10
	467A-7		555A-11		535A-10
	467A-9		555A-11		535A-11
	467A-9		555A-11		535A-11
	467A-9		555A-11		535A-11
57560-41G20-000	467A-9	59101-34820-000	535A-16	59211-25G60-000	535A-11
	467A-16		535A-16		530A-8
	467A-16		535A-16		530A-8
	467A-16		535A-5		530A-8
	467A-16		535A-5		530A-8
57562-41G21-000	467A-17	59109-34J00-000	535A-5	59218-09G10-000	530A-9
	467A-17		535A-5		530A-9
	467A-17		535A-4		530A-9
	467A-17		535A-4		530A-9
	467A-17		535A-4		530A-9
57621-23K00-000	467A-10	59121-01A00-000	535A-4	59260-23K00-000	550A-3
	467A-10		535A-4		550A-3
	467A-10		555A-3		550A-3
	467A-18		555A-3		536A-6
	467A-18		555A-3		536A-6
58200-23K20-000	467A-18	59121-30H00-000	535A-14	59268-23K00-000	536A-6
	467A-18		535A-14		536A-6
	462A-15		535A-14		536A-4
	462A-15		535A-14		536A-4
	462A-15		535A-4		536A-4
58300-23K21-000	462A-15	59122-01A00-000	555A-4	59303-14500-000	536A-4
	462A-16		555A-4		536A-4
	462A-16		555A-4		555A-7
	462A-16		555A-4		555A-7
	462A-16		555A-4		555A-7
58300-23K31-000	462A-16	59122-30H00-000	535A-15	59315-34J00-000	555A-7
	462A-17		535A-15		535A-6
	462A-17		535A-15		535A-6
	462A-17		535A-17		535A-6
	462A-17		535A-17		535A-6
58634-12K00-000	462A-18	59141-34J10-000	535A-17	59351-34J00-000	535A-8
	462A-18		535A-17		535A-8
	462A-18		535A-12		535A-8
	462A-18		535A-12		535A-8
	462A-18		535A-12		535A-8
59100-12K10-000	535A-1	59145-34J00-000	535A-12	59382-14500-000	555A-8
	535A-1		535A-12		555A-8
	535A-1		535A-12		555A-8
	535A-3		535A-12		555A-8
	535A-3		535A-12		555A-8
59100-34860-000	535A-1	59145-37F00-000	555A-5	59382-34J00-000	555A-8
	535A-1		555A-5		555A-8
	535A-3		555A-5		555A-8
	535A-3		555A-5		535A-13
	535A-3		555A-5		535A-13
59100-34870-000	535A-3	59146-20G00-000	555A-6	59386-13A00-000	535A-13
	535A-2		555A-6		535A-13
	535A-2		555A-6		555A-9
	535A-2		555A-6		555A-9
	535A-2		555A-6		555A-9
59100-34870-000	535A-2	59187-34J00-000	535A-10	59386-13A00-000	555A-9
	535A-2		535A-10		555A-9
	535A-2		535A-10		555A-9
	535A-2		535A-10		555A-9
	535A-2		535A-10		555A-9

PART NO.	FIG.NO.-REF.NO.	PART NO.	FIG.NO.-REF.NO.	PART NO.	FIG.NO.-REF.NO.
59480-23K11-000	536A-3	59687-23K00-000	537A-8	59492-22J00-000	537A-8
	536A-3		537A-8		537A-8
	536A-3		537A-7		537A-7
	536A-3		537A-7		537A-7
	536A-3		537A-7		537A-7
59492-30H10-000	558A-1	59688-30H00-000	537A-7	59492-30H10-000	558A-1
	558A-1		537A-7		558A-1
	558A-1		537A-9		558A-1
	558A-1		537A-9		558A-1
	558A-1		537A-9		558A-1
59492-30H20-000	536A-1	59691-30H00-000	537A-9	59492-30H20-000	536A-1
	536A-1		537A-11		536A-1
	537A-1		537A-11		537A-1
	537A-1		537A-11		537A-1
	537A-1		537A-11		537A-1
59610-12K00-000	558A-4	59735-17C00-000	541A-11	59610-12K00-000	558A-4
	558A-4		558A-4		558A-4
	558A-4		558A-4		558A-4
	558A-4		558A-4		558A-4
	558A-4		558A-4		558A-4
59665-30H00-000	537A-3	59746-34J00-000	535A-7	59665-30H00-000	537A-3
	537A-3		535A-7		537A-3
	537A-3		535A-7		537A-3
	537A-3		535A-7		537A-3
	537A-3		535A-7		537A-3
59667-12K00-000	537A-6	59870-30H00-000	537A-2	59667-12K00-000	537A-6
	537A-6		537A-2		537A-6
	537A-6		537A-2		537A-6
	537A-6		537A-2		537A-6
	537A-6		537A-2		537A-6
59667-18441-000	558A-9	61100-23K40-000	541A-1	59667-18441-000	558A-9
	558A-9		541A-1		558A-9
	558A-9		541A-1		558A-9
	558A-9		541A-1		558A-9
	558A-9		541A-1		558A-9
59668-18441-000	558A-8	61211-23K00-000	541A-7	59668-18441-000	558A-8
	558A-8		541A-7		558A-8
	558A-8		541A-7		558A-8
	558A-8		541A-7		558A-8
	558A-8		541A-7		558A-8
59668-30H00-000	537A-10	61251-34J00-000	541A-4	59668-30H00-000	537A-10
	537A-10		541A-4		537A-10
	537A-10		541A-4		537A-10
	537A-10		541A-4		537A-10
	537A-10		541A-4		537A-10
59669-30H00-000	537A-12	61262-23K01-000	541A-5	59669-30H00-000	537A-12
	537A-12		541A-5		537A-12
	537A-12		541A-5		537A-12
	537A-12		541A-5		537A-12
	537A-12		541A-5		537A-12
59671-30H00-000	537A-8	62684-23K10-000	543A-8	59671-30H00-000	537A-8
	537A-8		543A-8		537A-8
	537A-8		543A-8		537A-8
	537A-8		543A-8		537A-8
	537A-8		543A-8		537A-8

PART NO.	FIG.NO.-REF.NO.	PART NO.	FIG.NO.-REF.NO.	PART NO.	FIG.NO.-REF.NO.
62684-40A10-000	543A-5	64111-23K00-019	474A-17	68131-23K40-BJJ	550A-24
	543A-5		550A-1-1		550A-24
	543A-5		550A-1-1		550A-24
	543A-11		550A-1-1		445A-5-2
	543A-11		550A-1-1		445A-5-2
62685-23K00-000	543A-11	64111-23K00-PZW	550A-1-2	68131-23K40-BQW	445A-5-2
	543A-11		550A-1-2		445A-5-2
	543A-14		550A-1-2		445A-5-2
	543A-14		550A-1-2		445A-10-2
	543A-14		550A-1-2		445A-10-2
63111-23K00-000	543A-14	64511-23K00-000	550A-17	68131-23K40-BQW	445A-10-2
	543A-14		550A-17		445A-10-2
	474A-1		550A-17		445A-5-1
	474A-1		550A-17		445A-5-1
	474A-1		550A-12		445A-5-1
63112-23K00-000	474A-14	64651-35J00-000	550A-12	68135-23KK0-BW5	445A-10-1
	474A-14		550A-12		445A-10-1
	474A-14		550A-10		445A-10-1
	474A-14		550A-10		445A-10-1
	474A-14		550A-10		445A-10-1
63113-23K00-000	474A-16	64711-23K00-000	550A-10	68135-23KK0-GTA	445A-6-3
	474A-16		550A-10		445A-6-3
	474A-16		550A-4		445A-6-3
	474A-16		550A-4		445A-6-3
	474A-3		550A-4		445A-6-4
63121-23K00-000	474A-3	64731-23K00-000	550A-8	68135-23KK0-GTA	445A-6-4
	474A-3		550A-8		445A-6-4
	474A-3		550A-8		445A-6-4
	474A-4		550A-8		445A-6-1
	474A-4		550A-8		445A-6-1
63130-23K00-000	474A-4	64741-23K00-000	550A-5	68135-23KK0-YSF	445A-6-1
	474A-4		550A-5		445A-6-1
	474A-5		550A-5		445A-6-2
	474A-5		550A-5		445A-6-2
	474A-5		550A-15		445A-6-2
63141-23K00-000	474A-5	64742-23K00-000	550A-15	68135-23KK0-YVU	445A-7-2
	474A-5		550A-15		445A-7-2
	474A-5		550A-11		445A-7-2
	474A-5		550A-11		445A-7-2
	474A-5		550A-11		445A-7-1
63151-23K00-000	474A-6	64761-23K00-000	550A-11	68136-23K40-BST	445A-7-1
	474A-6		550A-11		445A-7-1
	474A-6		550A-11		445A-7-1
	474A-6		550A-11		445A-7-1
	474A-6		550A-11		445A-7-1
63152-23K00-000	474A-7	64841-23K00-000	550A-7	68136-23K40-YSF	445A-7-1
	474A-7		550A-7		445A-7-1
	474A-7		550A-7		445A-7-1
	474A-7		550A-7		445A-7-1
	474A-7		550A-7		445A-7-1
63153-23K00-000	474A-22	64841-23K00-000	550A-7	68145-23KK0-BW5	445A-11-3
	474A-22		550A-7		445A-11-3
	474A-22		550A-7		445A-11-3
	474A-22		550A-7		445A-11-3
	474A-22		550A-7		445A-11-3
63311-23K00-000	474A-22	64841-34J00-000	550A-14	68145-23KK0-GTA	445A-11-3
	474A-22		550A-14		445A-11-3
	474A-22		550A-14		445A-11-3
	474A-17		550A-14		445A-11-4
	474A-17		550A-14		445A-11-4
474A-17	550A-24	65110-23K00-000	550A-24		445A-11-4

PART NO.	FIG.NO.-REF.NO.	PART NO.	FIG.NO.-REF.NO.	PART NO.	FIG.NO.-REF.NO.
68145-23KK0-YSF	445A-11-4	68183-23K30-BST	423A-11-4	68193-23K30-YSF	485A-39-2
	445A-11-1		423A-11-4		485A-39-1
	445A-11-1		423A-11-4		485A-39-1
	445A-11-1		485A-40-2		485A-39-1
	445A-11-1		485A-40-2		485A-39-1
68145-23KK0-YVU	445A-11-2	68183-23K30-YSF	485A-40-2	68195-23K90-BW5	485A-44-2
	445A-11-2		485A-40-2		485A-44-2
	445A-11-2		485A-40-1		485A-44-2
	445A-11-2		485A-40-1		485A-44-2
	445A-11-2		485A-40-1		485A-44-2
68146-23K40-BST	445A-12-2	68184-23K00-000	485A-40-1	68195-23K90-GTA	485A-44-3
	445A-12-2		485A-40-1		485A-44-3
	445A-12-2		485A-40-1		485A-44-3
	445A-12-2		485A-40-1		485A-44-3
	445A-12-2		485A-40-1		485A-44-3
68146-23K40-YSF	445A-12-1	68185-23K90-BW5	485A-42-2	68195-23K90-YVU	485A-44-1
	445A-12-1		485A-42-2		485A-44-1
	445A-12-1		485A-42-2		485A-44-1
	445A-12-1		485A-42-2		485A-44-1
	445A-12-1		485A-42-2		485A-44-1
68151-23K40-B53	481A-20-2	68185-23K90-GTA	485A-42-2	68195-23KA0-YSF	485A-43
	481A-20-2		485A-42-2		485A-43
	481A-20-2		485A-42-2		485A-43
	481A-20-2		485A-42-2		485A-43
	481A-20-2		485A-42-2		485A-43
68151-23K40-BHB	481A-20-1	68185-23K90-YVU	485A-42-3	68195-23KC0-BW5	485A-38-3
	481A-20-1		485A-42-3		485A-38-3
	481A-20-1		485A-42-3		485A-38-3
	481A-20-1		485A-42-3		485A-38-3
	481A-20-1		485A-42-3		485A-38-3
68151-23K40-BW5	481A-20-3	68185-23KA0-YSF	485A-42-1	68195-23KC0-GTA	485A-38-4
	481A-20-3		485A-42-1		485A-38-4
	481A-20-3		485A-42-1		485A-38-4
	481A-20-3		485A-42-1		485A-38-4
	481A-20-3		485A-42-1		485A-38-4
68151-23K40-GTA	481A-20-4	68185-23K90-YVU	485A-41	68195-23KC0-YSF	485A-38-1
	481A-20-4		485A-41		485A-38-1
	481A-20-4		485A-41		485A-38-1
	481A-20-4		485A-41		485A-38-1
	481A-20-4		485A-41		485A-38-1
68171-23K20-000	474A-21	68185-23KC0-BW5	485A-37-3	68195-23KC0-YVU	485A-38-2
	474A-21		485A-37-3		485A-38-2
	474A-21		485A-37-3		485A-38-2
	474A-21		485A-37-3		485A-38-2
	474A-21		485A-37-3		485A-38-2
68182-12K20-B53	423A-11-2	68185-23KC0-GTA	485A-37-4	68280-23K70-BW5	485A-38-2
	423A-11-2		485A-37-4		485A-38-2
	423A-11-2		485A-37-4		485A-38-2
	423A-11-2		485A-37-4		485A-38-2
	423A-11-2		485A-37-4		485A-38-2
68182-12K20-BHB	423A-11-1	68185-23KC0-YSF	485A-37-1	68280-23K70-GTA	481A-22-2
	423A-11-1		485A-37-1		481A-22-2
	423A-11-1		485A-37-1		481A-22-2
	423A-11-1		485A-37-1		481A-22-2
	423A-11-1		485A-37-1		481A-22-2
68182-12K20-BW5	423A-11-3	68185-23KC0-YVU	485A-37-2	68280-23K70-YVU	481A-22-1
	423A-11-3		485A-37-2		481A-22-1
	423A-11-3		485A-37-2		481A-22-1
	423A-11-3		485A-37-2		481A-22-1
	423A-11-3		485A-37-2		481A-22-1
68182-12K20-GTA	423A-11-4	68193-23K30-BST	485A-39-2	68280-23K80-YSF	481A-22-1
	423A-11-4		485A-39-2		481A-22-1
	423A-11-4		485A-39-2		481A-22-1
	423A-11-4		485A-39-2		481A-22-1
	423A-11-4		485A-39-2		481A-22-1

PART NO.	FIG.NO.-REF.NO.	PART NO.	FIG.NO.-REF.NO.	PART NO.	FIG.NO.-REF.NO.
68319-40J00-000	481A-21	69600-34840-000	558A-16	90000	558A-10
	481A-21		558A-17		558A-10
	481A-21		558A-17		558A-10
	496A-1		558A-17		558A-10
	496A-1		558A-17		558A-10
68332-23KD0-000	496A-1	69665-47H00-000	558A-19	90000	
	496A-1		558A-19		
	496A-2		558A-19		
	496A-2		558A-19		
	496A-2		558A-7		
68641-23K10-000	496A-2	69669-20G10-000	558A-7	90000	
	485A-5		558A-7		
	485A-5		558A-7		
	485A-5		558A-20		
	485A-5		558A-20		
69100-20850-000	485A-5	69672-34J00-000	558A-20	90000	
	555A-10		558A-20		
	555A-10		558A-21		
	555A-10		558A-21		
	555A-10		558A-21		
69100-23K00-000	555A-1	69686-34200-000	558A-21	90000	
	555A-1		558A-22		
	555A-1		558A-22		
	555A-12		558A-22		
	555A-12		558A-22		
69101-34810-000	555A-12	69691-04A00-000	558A-18	90000	
	555A-12		558A-18		
	555A-12		558A-18		
	555A-13		558A-18		
	555A-13		558A-18		
69115-20G01-000	555A-13	69692-44H00-000	558A-23	90000	
	555A-13		558A-23		
	555A-13		558A-23		
	555A-14		558A-23		
	555A-14		558A-23		
69187-34J00-000	555A-14	69693-05A00-000	558A-24	90000	
	555A-14		558A-24		
	555A-14		558A-24		
	555A-14		558A-24		
	555A-14		558A-24		
69211-25G50-000	550A-2	69720-23K00-000	558A-24	90000	
	550A-2		555A-16		
	550A-2		555A-16		
	550A-2		555A-16		
	550A-2		555A-16		
69345-20G00-000	555A-15	69731-23K00-000	558A-5	90000	
	555A-15		558A-5		
	555A-15		558A-5		
	558A-2		558A-5		
	558A-2		558A-5		
69480-23K00-000	558A-2	69740-20G10-000	558A-6	90000	
	558A-2		558A-6		
	558A-2		558A-6		
	558A-2		558A-6		
	558A-2		558A-6		
69600-23K00-000	558A-16	69743-23K00-000	558A-10	90000	
	558A-16				
	558A-16				
	558A-16				
	558A-16				

PART NO.	FIG.NO.-REF.NO.	PART NO.	FIG.NO.-REF.NO.	PART NO.	FIG.NO.-REF.NO.
94431-23K00-YSF	485A-1-1	94442-23K00-000	485A-9-2	90000	485A-17
	485A-1-1		485A-9-2		485A-17
	485A-1-1		485A-10		485A-17
	485A-1-1		485A-10		485A-17
	485A-1-1		485A-10		485A-17
94431-23K00-YVU	485A-1-2	94443-23K00-YMF	485A-10	90000	481A-4
	485A-1-2		485A-10		481A-4
	485A-1-2		485A-11-3		481A-4
	485A-1-2		485A-11-3		481A-4
	485A-1-2		485A-11-3		481A-4
94432-23K00-000	485A-2	94443-23K00-YSF	485A-11-3	90000	481A-5
	485A-2		485A-11-3		481A-5
	485A-2		485A-11-3		481A-5
	485A-2		485A-11-3		481A-5
	485A-2		485A-11-3		481A-5
94433-23K00-YMF	485A-2	94443-23K00-YVU	485A-11-1	90000	481A-5
	485A-2		485A-11-1		481A-5
	485A-3-3		485A-11-1		481A-6
	485A-3-3		485A-11-1		481A-6
	485A-3-3		485A-11-2		481A-6
94433-23K00-YSF	485A-3-3	94443-23K00-YZE	485A-11-2	90000	481A-6
	485A-3-1		485A-11-2		481A-7
	485A-3-1		485A-11-2		481A-7
	485A-3-1		485A-11-4		481A-7
	485A-3-1		485A-11-4		481A-7
94433-23K00-YVU	485A-3-2	94451-23K00-000	485A-11-4	90000	485A-18
	485A-3-2		485A-12		485A-18
	485A-3-2		485A-12		485A-18
	485A-3-2		485A-12		485A-18
	485A-3-2		485A-12		485A-18
94433-23K00-YZE	485A-3-4	94461-23K00-000	485A-12	90000	485A-19
	485A-3-4		485A-12		485A-19
	485A-3-4		485A-13		485A-19
	485A-3-4		485A-13		485A-19
	485A-3-4		485A-13		485A-19
94434-23K00-000	485A-6	94471-23K00-000	485A-13	90000	481A-8
	485A-6		485A-14		481A-8
	485A-6		485A-14		481A-8
	485A-6		485A-14		481A-8
	485A-6		485A-14		481A-8
94435-23K00-000	333A-7	94478-14J00-000	485A-14	90000	481A-16
	333A-7		485A-14		481A-16
	333A-7		420A-22		481A-16
	333A-7		420A-22		481A-16
	333A-7		420A-22		481A-16
94436-23K00-000	485A-7	94437-23K00-000	420A-22	90000	481A-9
	485A-7		420A-22		481A-9
	485A-7		420A-22		481A-9
	485A-7		420A-23		481A-9
	485A-7		420A-23		481A-9
94437-23K00-000	485A-8	94441-23K00-YSF	420A-23	90000	505A-16
	485A-8		420A-23		505A-16
	485A-8		420A-23		505A-16
	485A-8		485A-15		505A-16
	485A-8		485A-15		505A-16
94441-23K00-YSF	485A-9-1	94481-23K00-000	485A-15	90000	505A-17
	485A-9-1		485A-15		505A-17
	485A-9-1		485A-16		505A-17
	485A-9-1		485A-16		505A-17
	485A-9-1		485A-16		505A-17
94441-23K00-YVU	485A-9-2	99000-69491-000	485A-16	90000	126A-17
	485A-9-2		485A-16		126A-17
	485A-9-2		485A-16		126A-17
	485A-9-2		485A-16		126A-17
	485A-9-2		485A-16		126A-17

PART NO.	FIG.NO.-REF.NO.	PART NO.	FIG.NO.-REF.NO.	PART NO.	FIG.NO.-REF.NO.
99011-23K53-08A	126A-17		112A-7		112A-5
	126A-17		187A-16		112A-5
	496A-3		187A-16		112A-5
	496A-3	01547-0612B-000	536A-5		112A-21
	496A-3		536A-5		112A-21
	496A-3	01547-0616A-000	189A-10		112A-21
			189A-10		112A-21
00000			189A-10		170A-6
			189A-10		170A-6
			189A-10		170A-6
			558A-12		170A-6
			558A-12		170A-6
		01547-0620A-000	558A-12	01547-0640A-000	108A-2
			558A-12		108A-2
			127A-9		112A-14
			127A-9		112A-14
			170A-14	01547-0640B-000	108A-2
01421-0620A-000	107A-2			108A-2	
	107A-2			112A-14	
	107A-2			180A-8	
	107A-2			180A-8	
01421-0625A-000	103A-13		01547-0675A-000	108A-3	
	103A-13			108A-3	
	103A-13			108A-3	
	103A-13			108A-3	
01500-0610A-000	206A-31	01547-0620B-000	127A-9	180A-9	
	206A-31		127A-9	180A-9	
	206A-31		170A-14	180A-9	
	206A-31		170A-14	180A-9	
01500-0616A-000	201A-18			180A-8	
	201A-18			180A-8	
	201A-18			180A-8	
01500-0616B-000	201A-18		01550-0610A-000	185A-11	
	201A-18			185A-11	
	201A-18			185A-11	
01500-0620A-000	212A-30		01550-0612A-000	103A-8	
	212A-30			103A-8	
	212A-30	01547-0625A-000	103A-21	155A-19	
	212A-30		103A-21	155A-19	
01500-1016A-000	112A-11			189A-11	
	112A-11			189A-11	
	112A-11			350A-9	
	112A-11			350A-9	
01547-0610A-000	112A-7			481A-19	
	112A-7			481A-19	
	112A-7			481A-19	
	172A-7			485A-27	
	172A-7			485A-27	
	172A-7			505A-18	
	172A-7			505A-18	
	187A-16		01550-0612B-000	163A-21	
	187A-16			163A-21	
	536A-5	01547-0625B-000	467A-14	485A-28	
	536A-5		467A-14	485A-28	
01547-0612A-000	112A-7	01547-0630A-000	112A-5	01550-0616A-000	185A-4

PART NO.	FIG.NO.-REF.NO.	PART NO.	FIG.NO.-REF.NO.	PART NO.	FIG.NO.-REF.NO.
					445A-23
	185A-4				445A-24
	185A-4				445A-24
01550-0625A-000	312A-5	01550B0612BN000	163A-21		445A-24
	312A-5		163A-21		445A-24
	312A-5		163A-21		485A-29
	312A-5		163A-21		485A-29
	420A-5	02112-0512A-000	462A-19		485A-29
	420A-5		462A-19		485A-29
	420A-5		462A-19	03541-0412B-000	474A-12
	420A-5		462A-19		474A-12
01550-0635A-000	312A-6	02112-0525B-000	355A-6		474A-12
	312A-6		355A-6		474A-12
	312A-6		355A-6		485A-30
	312A-6		355A-6		485A-30
	420A-10	02112-0530B-000	355A-2		485A-30
	420A-10		355A-2		485A-30
	420A-10		355A-2	03541-0416A-000	330A-4
	420A-10		355A-2		330A-4
01550-0825A-000	163A-16	02112-0540B-000	355A-7		330A-4
	163A-16		355A-7		330A-4
	163A-16		355A-7		485A-31
	163A-16		355A-7		485A-31
	535A-18	02112-0550B-000	355A-3		485A-31
	535A-18		355A-3		485A-31
	535A-18		355A-3		485A-31
	535A-18		355A-3		485A-31
01550-0830B-000	481A-23	02112-0612A-000	206A-29		485A-32
	481A-23		206A-29		485A-32
	481A-23		206A-29		485A-32
	481A-23		206A-29	03541-0416B-000	485A-33
	481A-23		206A-29		485A-33
01550-0835A-000	163A-14		212A-10		485A-33
	163A-14		212A-10		485A-33
	163A-14		212A-10		485A-33
	163A-14		212A-10		485A-34
01550-1016A-000	108A-5	02112-74125-000	558A-25		485A-34
	108A-5		558A-25		485A-34
	108A-5		558A-25	03541-0512A-000	155A-16
	108A-5		558A-25		155A-16
01550B0612AN000	103A-8	02142-0610A-000	420A-18		155A-16
	103A-8		420A-18		155A-16
	155A-19		420A-18		339A-16
	155A-19		420A-18		339A-16
	189A-11		420A-18		339A-16
	189A-11		420A-18		339A-16
	350A-9		505A-9		339A-16
	350A-9		505A-9		339A-16
	481A-19	03541-0412A-000	445A-23		474A-20
	481A-19		445A-23		474A-20
	481A-19		445A-23		474A-20
	485A-27		445A-23	03541-0516A-000	333A-6

PART NO.	FIG.NO.-REF.NO.	PART NO.	FIG.NO.-REF.NO.	PART NO.	FIG.NO.-REF.NO.
	333A-6		303A-7		206A-7
	333A-6		303A-8		206A-7
	333A-6		303A-8		206A-7
	339A-12		303A-8	08110-69050-000	212A-12
	339A-12		303A-8		212A-12
	339A-12		330A-6		212A-12
	339A-12		330A-6		212A-12
	485A-35	07130-0512B-000	330A-6	08113-0608A-000	180A-10
	485A-35		330A-6		180A-10
	485A-35	07130-0520A-000	212A-39		180A-10
	485A-35		212A-39		180A-10
03541-0520B-000	155A-17		212A-39	08120-60020-000	206A-8
	155A-17		212A-39		206A-8
	155A-17	07130-0535A-000	303A-9		206A-8
	155A-17		303A-9		206A-8
03541-0616A-000	474A-13		303A-9	08123-6004B-000	550A-13
	474A-13		303A-9		550A-13
	474A-13	07130-0610A-000	206A-36		550A-13
	474A-13		206A-36		550A-13
04111-2015A-000	212A-31		206A-36	08123-6202B-000	550A-6
	212A-31		206A-36		550A-6
	212A-31	07130-0616A-000	122A-6		550A-6
	212A-31		122A-6		550A-6
	558A-13		122A-6		550A-9
	558A-13		122A-6		550A-9
	558A-13		163A-22		550A-9
	558A-13		163A-22		550A-9
04211-11129-000	103A-6		163A-22	08123-6301B-000	530A-2
	103A-6		163A-22		530A-2
	103A-6		163A-22		530A-2
	103A-6		462A-14		530A-2
	103A-6		462A-14		530A-2
	107A-5	07130-0616B-000	462A-14	08211-06121-000	212A-16
	107A-5		462A-14		212A-16
	107A-5	07130-0620A-000	212A-11		212A-16
	107A-5		212A-11		212A-16
06111-06004-000	524A-12		212A-11	08211-06181-000	127A-6
	524A-12		212A-11		127A-6
	524A-12	07130-0830A-000	415A-29		127A-6
	524A-12		415A-29		127A-6
	524A-13		415A-29	08211-14242-000	124A-14
	524A-13		415A-29		124A-14
	524A-13	08110-62000-000	201A-16		124A-14
	524A-13		201A-16		124A-14
06111-07004-000	415A-23		201A-16	08211-15251-000	206A-20
	415A-23		201A-16		206A-20
06111M07004-000	415A-23	08110-62020-000	206A-26		206A-20
	415A-23		206A-26		206A-20
07130-0512A-000	303A-7		206A-26	08211-16251-000	120A-15
	303A-7		206A-26		120A-15
	303A-7	08110-62040-000	206A-7		120A-15

PART NO.	FIG.NO.-REF.NO.	PART NO.	FIG.NO.-REF.NO.	PART NO.	FIG.NO.-REF.NO.
	120A-15		163A-15		124A-8
	206A-21		163A-15	08331-41309-000	201A-19
	206A-21		163A-15		201A-19
	206A-21		550A-19		201A-19
	206A-21		550A-19		201A-19
08211-20241-000	206A-22		550A-19	08332-1106A-000	170A-5
	206A-22		550A-19		170A-5
	206A-22	08319-3110A-000	108A-9		170A-5
	206A-22		108A-9		170A-5
	206A-23		108A-9		180A-11
	206A-23		108A-9		180A-11
	206A-23		108A-9		180A-11
08211-20352-000	201A-11		407A-4		415A-7
	201A-11		407A-4		415A-7
	201A-11		543A-18		415A-7
	201A-11		543A-18		415A-7
08316-1005A-000	339A-18		543A-18		415A-16
	339A-18		543A-18		415A-16
	339A-18	08319-3112A-000	530A-7		415A-16
	339A-18		530A-7		415A-16
	460A-11		530A-7		415A-26
	460A-11		530A-7		415A-26
	460A-11		541A-8		415A-26
	460A-11		541A-8		415A-26
08316-1006A-000	460A-11		541A-8	08361-3506A-000	301A-8
	460A-11		541A-8		301A-8
	103A-14		541A-8		301A-8
	103A-14		543A-7		301A-8
	103A-14		543A-7		301A-8
	107A-3		543A-7	09103-05025-000	126A-3
	107A-3		543A-7		126A-3
	107A-3		543A-10		126A-3
	107A-3		543A-10		126A-3
	460A-7		543A-10		126A-6
	460A-7		543A-10		126A-6
	460A-7	08319-3114A-000	550A-16		126A-6
	460A-7		550A-16		126A-6
	505A-15		550A-16	09103-06132-000	103A-2
	505A-15		550A-16		103A-2
	505A-15	08322-0106A-000	558A-15		103A-2
	505A-15		558A-15		103A-2
08319-2106A-000	467A-15		558A-15	09103-06165-000	103A-3
	467A-15		558A-15		103A-3
	467A-15	08331-31149-000	212A-24		103A-3
	467A-15		212A-24		103A-3
08319-3106A-000	550A-23		212A-24	09103-08351-000	524A-16
	550A-23		212A-24		524A-16
	550A-23	08331-31359-000	124A-8		524A-16
	550A-23		124A-8		524A-16
08319-3108A-000	163A-15		124A-8	09103-08555-000	103A-22





PART NO.	FIG.NO.-REF.NO.	PART NO.	FIG.NO.-REF.NO.	PART NO.	FIG.NO.-REF.NO.
09180-06375-000	163A-9	09206-10014-000	170A-7	09262-15055-000	124A-11
	312A-8		108A-4		124A-11
	312A-8		108A-4		124A-11
	312A-8		108A-4		124A-12
09180-08151-000	312A-8	09206-13007-000	108A-4	09262-20178-000	124A-12
	163A-12		122A-4		124A-12
	163A-12		122A-4		124A-12
	163A-12		122A-4		206A-27
09180-13012-000	122A-3	09208-08018-000	415A-5	09262-28058-000	206A-27
	122A-3		415A-5		206A-27
	122A-3		415A-5		120A-4
	122A-3		415A-5		120A-4
09180B06343N000	163A-9	09208-08020-000	415A-14	09262-35103-000	120A-4
	163A-9		415A-14		120A-5
	541A-6		415A-14		120A-5
	541A-6		415A-22		120A-5
09181-12010-000	541A-6	09208-08020-000	415A-22	09263-17046-000	120A-5
	541A-6		415A-22		543A-2
	541A-6		415A-22		543A-2
	541A-6		415A-22		543A-2
09181-20139-000	206A-24	09209-05011-000	415A-22	09263-17053-000	541A-3
	206A-24		212A-35		541A-3
	206A-24		212A-35		541A-3
	206A-24		212A-35		541A-3
09200-06037-000	558A-11	09229-03019-000	212A-35	09263-17053-000	541A-3
	558A-11		474A-15		541A-3
	558A-11		474A-15		541A-3
	558A-11		474A-15		541A-3
09202-05035-000	124A-15	09229-03020-000	474A-15	09250-05009-000	543A-3
	124A-15		474A-15		543A-3
	124A-15		474A-15		543A-3
	124A-15		474A-15		543A-3
09206-08001-000	124A-15	09259-36031-000	462A-12	09263-17057-000	543A-3
	103A-4		462A-12		543A-3
	103A-4		462A-12		543A-13
	103A-4		462A-12		543A-13
09206-08008-000	103A-4	09261-02001-000	112A-15	09263-22075-000	543A-13
	103A-4		112A-15		543A-4
	103A-4		170A-3		543A-4
	103A-4		170A-3		543A-4
09206-08008-000	112A-4	09261-02001-000	112A-15	09263-22075-000	122A-5
	112A-4		170A-3		122A-5
	112A-4		170A-3		122A-5
	112A-4		170A-3		122A-5
09206-08008-000	112A-19	09261-02001-000	180A-7	09280-08022-000	170A-4
	112A-19		180A-7		170A-4
	112A-19		180A-7		170A-4
	112A-19		180A-7		170A-4
09206-08008-000	112A-22	09261-02001-000	180A-7	09280-08022-000	170A-4
	112A-22		180A-7		170A-4
	112A-22		180A-7		170A-4
	112A-22		180A-7		170A-4
09206-08008-000	112A-22	09261-03002-000	212A-9	09280-13010-000	170A-4
	112A-22		212A-9		170A-4
	170A-7		212A-9		170A-12
	170A-7		212A-9		170A-12
09206-08008-000	170A-7	09261B03002N000	212A-9	09280-13010-000	170A-12
	170A-7		212A-9		170A-12
09206-08008-000	170A-7	09262-15054-000	124A-11		170A-12

PART NO.	FIG.NO.-REF.NO.	PART NO.	FIG.NO.-REF.NO.	PART NO.	FIG.NO.-REF.NO.
09280-14003-000	170A-12	09280-17003-000	163A-10	09320-08507-000	206A-19
	112A-18		163A-10		120A-11
	112A-18		163A-10		120A-11
	112A-18		163A-20		120A-11
09280-17003-000	112A-18	09320-08507-000	163A-20	09320-08507-000	120A-11
	112A-9		163A-20		187A-15
	112A-9		163A-20		187A-15
	112A-9		312A-9		187A-15
09280-33004-000	112A-16	09320-08507-000	312A-9	09401-10417-000	187A-7
	112A-16		312A-9		187A-7
	112A-16		312A-9		187A-7
	112A-16		312A-9		187A-7
09280-35009-000	103A-20	09320-09016-000	333A-5	09401-11101-000	155A-12
	103A-20		333A-5		155A-12
	103A-20		333A-5		155A-12
	103A-20		333A-5		155A-12
09280-54001-000	103A-20	09320-09016-000	339A-10	09401-15101-000	189A-8
	103A-20		339A-10		189A-8
	103A-20		339A-10		189A-8
	103A-20		339A-10		189A-8
09282-12L01-000	170A-10	09320-10501-000	445A-20	09401-17L01-000	189A-9
	170A-10		445A-20		189A-9
	170A-10		445A-20		189A-9
	170A-10		445A-20		189A-9
09283-14014-000	120A-6	09320-10501-000	185A-10	09401-20406-000	189A-9
	120A-6		185A-10		189A-9
	120A-6		185A-10		189A-9
	120A-6		185A-10		189A-9
09285-10008-000	212A-22	09320-12032-000	185A-10	09401-20406-000	187A-8
	212A-22		185A-10		187A-8
	212A-22		185A-10		187A-8
	212A-22		185A-10		187A-8
09285-25008-000	201A-17	09352-12163-010	163A-13	09404-06429-000	212A-41
	201A-17		163A-13		212A-41
	201A-17		163A-13		212A-41
	201A-17		163A-13		212A-41
09289-04002-000	530A-4	09352-12163-010	420A-24	09407-11401-000	339A-11
	530A-4		420A-24		339A-11
	530A-4		420A-24		339A-11
	530A-4		420A-24		339A-11
09320-06027-000	423A-5	09367-06007-000	420A-28	09407-14403-000	350A-4
	423A-5		420A-28		350A-4
	423A-5		420A-28		350A-4
	423A-5		420A-28		350A-4
09320-08018-000	445A-19	09380-20019-000	206A-6	09407-14407-000	462A-20
	445A-19		206A-6		462A-20
	445A-19		206A-6		462A-20
	445A-19		206A-6		462A-20
09320-08082-000	481A-17	09380-20019-000	310A-7	09407-14407-000	310A-7
	481A-17		310A-7		310A-7
	481A-17		310A-7		310A-7
	481A-17		310A-7		310A-7
	163A-10		206A-19		350A-15



**SUZUKI MALAYSIA SDN. BHD.**202001012115 (13884352)

No.12 & 14, Jalan Jurunilai U1/20, Seksyen U1,  
Hicom Glenmarie Industrial Park, 40150 Shah Alam, Selangor Darul Ehsan.

Tel: 603-5566 5688 Fax: 603-5566 5699

**9900MGR150RFX**